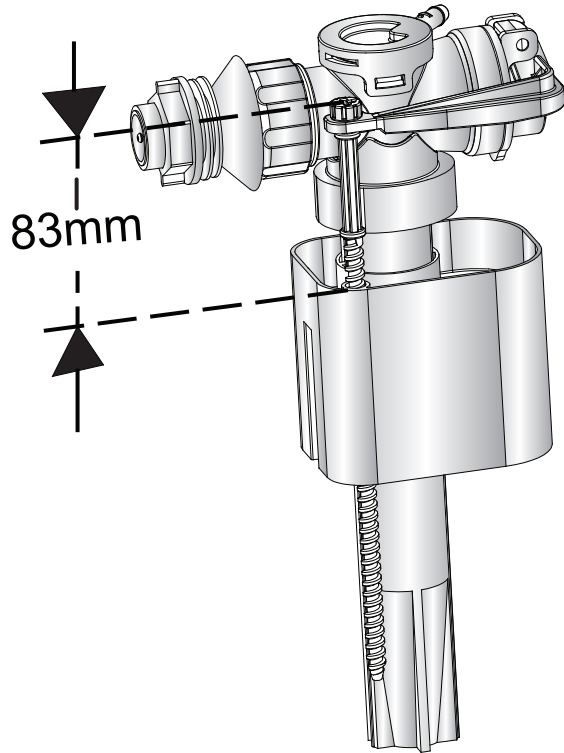


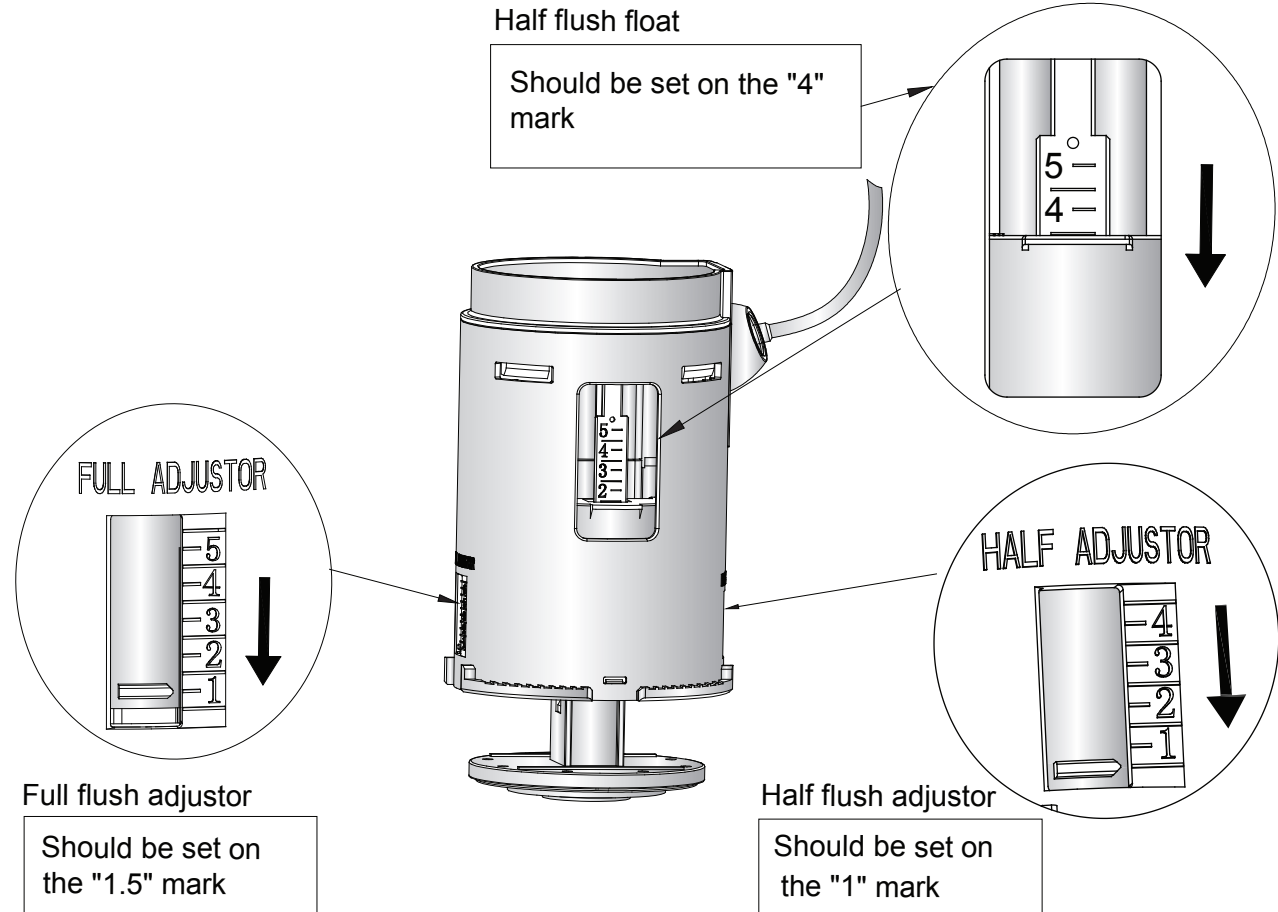
1: Inlet Valve



Note:

The Inlet Valve should be adjusted to suit the **Aluminium High Level Cistern - T58, T59, T60**. The above diagram indicates the correct setting. For adjustment method, please refer to the installation instruction supplied with the cistern fittings.

2: Flush Valve



Note:

The Flush Valve should be adjusted to suit the **Aluminium High Level Cistern - T58, T59, T60**. The above diagram indicates the correct setting. For adjustment method, please refer to the installation instruction supplied with the cistern fittings.