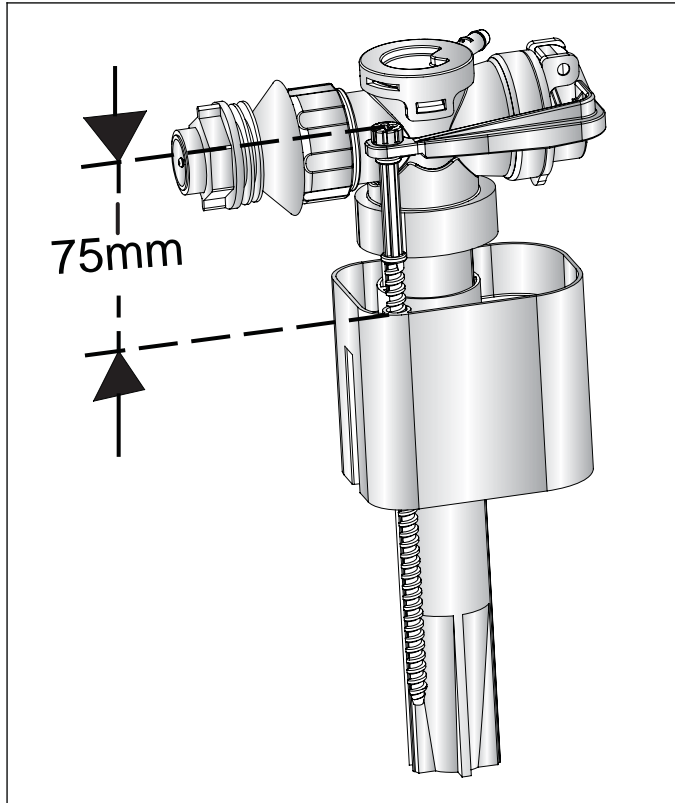


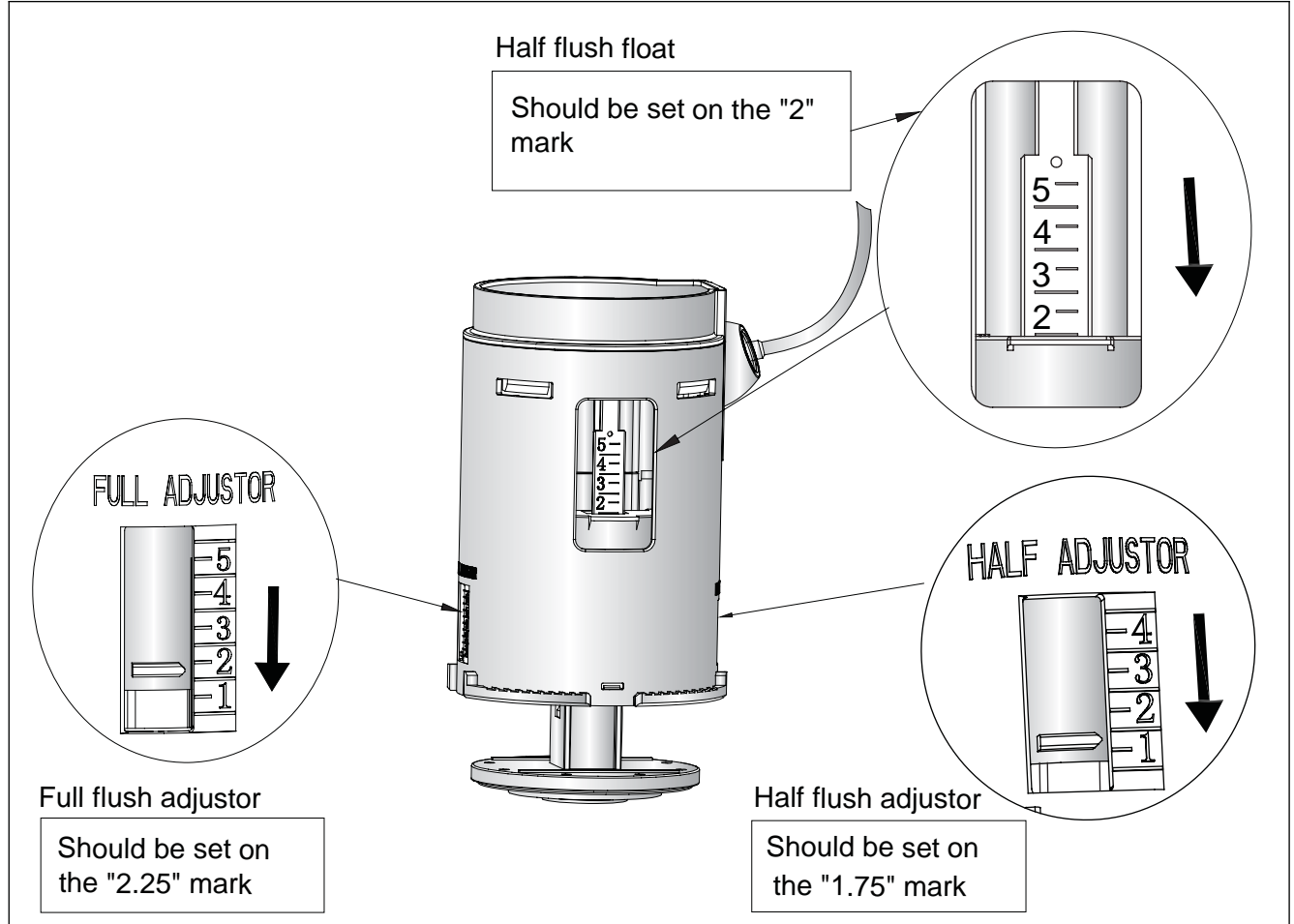
1: Inlet Valve



Note:

The Inlet Valve can be adjusted to suit the High Level Cistern - C5. The valve is preset for 6L full flush and 3L half flush. The above diagram indicates the correct setting for 4.5L full flush and 2.6L half flush. For adjustment method, please refer to the installation instruction supplied with the cistern fittings.

2: Flush Valve



Full flush adjustor

Should be set on the "2.25" mark

Half flush adjustor

Should be set on the "1.75" mark

Note:

The Flush Valve can be adjusted to suit the High Level Cistern - C5. The valve is preset for 6L full flush and 3L half flush. The above diagram indicates the correct setting for 4.5L full flush and 2.6L half flush. For adjustment method, please refer to the installation instruction supplied with the cistern fittings.