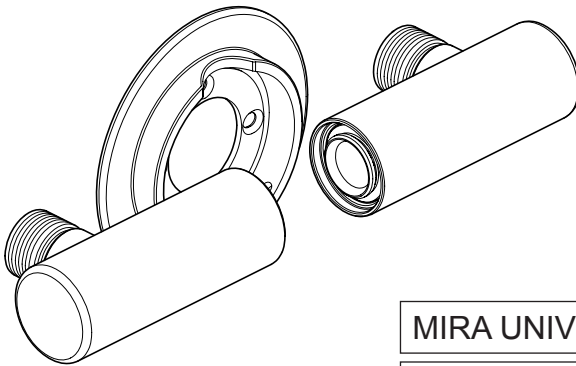




Mira is a registered trade mark of Kohler Mira Limited.
The company reserves the right to alter product specifications without notice.
www.mirashowers.com

Telephone: 0870 241 0888
Fax: 01242 282595
E-mail: technical@mirashowers.com
Mira Showers
Kohler Mira Ltd
Cromwell Road,
Cheltenham GL52 5EP.



MIRA UNIVERSAL RETROFIT KIT

PART NO: 1663.012

GENUINE MIRA ACCESSORY

These instructions must be left with the user.

Introduction

The adjustable elbows each have adjustment of 10 mm, allowing your thermostatic mixer to be connected to pipe centres ranging from 133 mm to 153 mm.

The adjustable backplate allows an additional 5 mm adjustment from the finished wall surface.

Installation

1. Unscrew the elbow grubscrews on the thermostatic mixer with a 2.5 mm hexagonal key (supplied with the thermostatic mixer), pull off the inlet elbows and discard.
2. Using the 'O' key (supplied with the thermostatic mixer) or a 12 mm hexagonal key, unscrew the inlet nipples and discard.
3. Fit the new adjustable elbow inlet nipples and tighten with the 'O' key.
4. Make sure that the 'O' seal is fitted and push the new elbow fully onto the inlet nipple. Tighten the grubscrew with a 2.5 mm hexagonal key.
5. Remove the backplate from the mixer by removing the grubscrew with a 2.5 mm hexagonal key.
6. Draw a centre line between the inlet pipework and, using the adjustable backplate as a template, mark the position of the adjustable backplate fixing holes.
7. For solid walls drill the holes for the backplate with a 6 mm drill and insert the wall plugs (supplied). For other types of wall structure alternative fixings may be required (not supplied).
8. Secure the backplate to the wall using the screws (supplied).
9. Align the mixer with the pipework and fit onto the backplate.
Note! Make sure that the pipes are pushed fully into the inlet connectors.
10. Tighten the compression nuts onto the mixer with a suitable spanner.
Caution! Take care not to damage the chrome surfaces.
11. Tighten the adjustable backplate grubscrews with a 2 mm hexagonal key (supplied) to secure the mixer to the backplate.
12. Refer to the Thermostatic Mixer and Shower Fittings Installation and User Guides for further installation and commissioning procedures.

