

AFTERCARE INSTRUCTIONS

The replacement handles have a high quality finish and should be treated with care to preserve the visible surfaces. All surface finishes will wear if not cleaned correctly, the only safe way to clean them mixer is to wipe with a soft damp cloth. Stains can be removed using washing up liquid. All bath cleaning powders and liquids will damage the surface finish even the non scratch cleaners.

GUARANTEE

All products are manufactured to the highest standards and a 5 year guarantee covers any defect in manufacture.

In the interests of continuous product development we reserve the right to alter specification as necessary.

TELEPHONE HELPLINE: 0844 701 6273

Bristan Group Ltd
Birch Coppice Business Park
Dordon
Tamworth
Staffordshire
B78 1SG
UK

A Masco Company

Web Site: www.bristan.com

Telephone: 0844 701 6274

Facsimile: 0844 701 6275

Email: enquire@bristan.com

(FI BATH REVIVER)

(D3)

BRISTAN

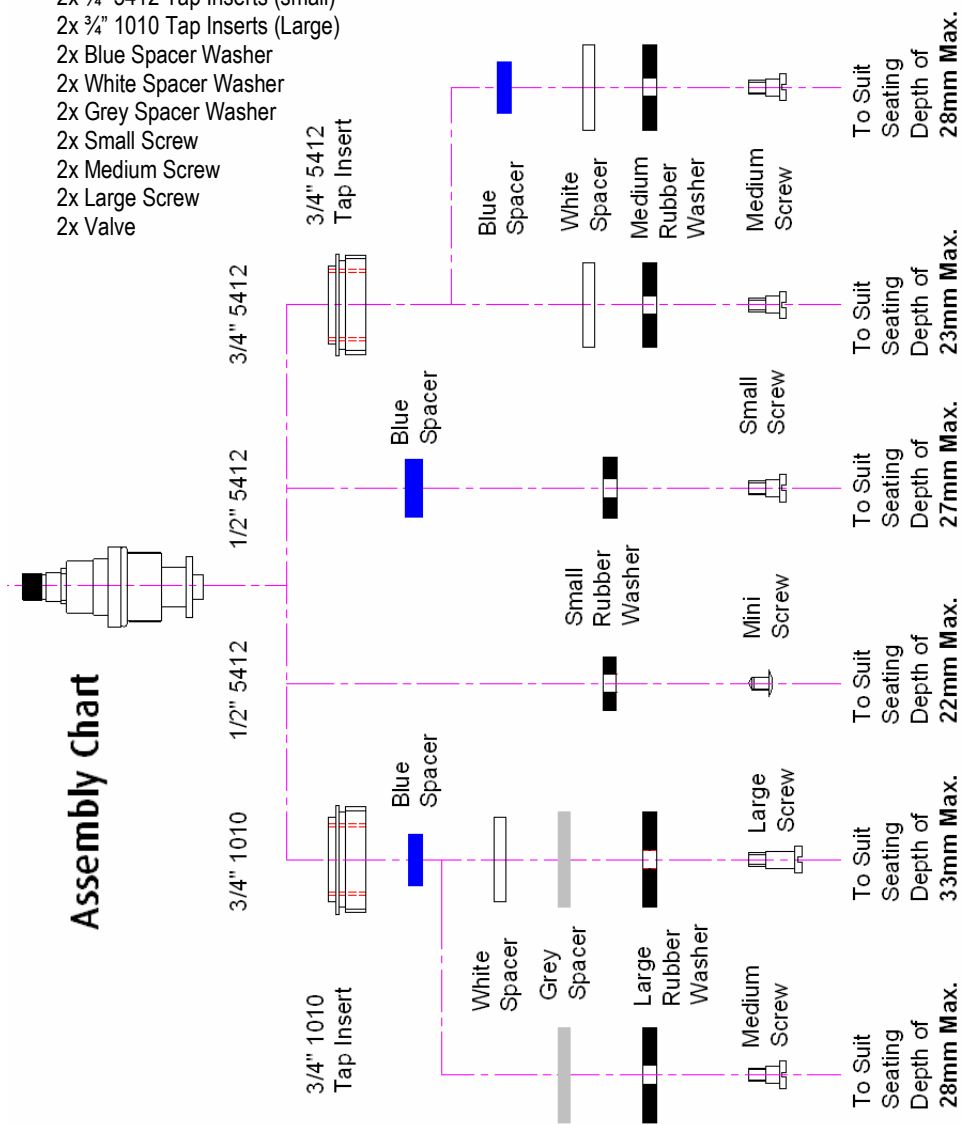
Bath Reviver Kit

Fitting Instructions & Contents List

Please keep these instructions for future reference and request of replacement parts.

CONTENTS

2x Tap Handles (& valve covers if period style)
 2x Medium Rubber Washer
 2x Large Rubber Washer
 2x 3/4" 5412 Tap Inserts (small)
 2x 3/4" 1010 Tap Inserts (Large)
 2x Blue Spacer Washer
 2x White Spacer Washer
 2x Grey Spacer Washer
 2x Small Screw
 2x Medium Screw
 2x Large Screw
 2x Valve



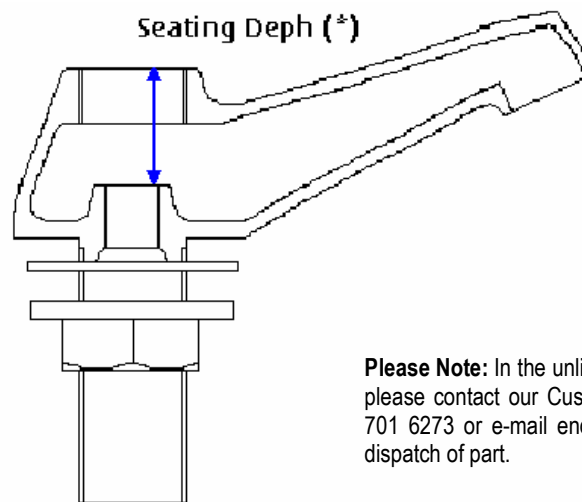
INSTALLATION

1. Identify all components and check pack contents for completeness, particularly before arranging fitting.
2. Isolate the water supply to the taps/ mixer and open the valves to drain any water from the body.
3. Take off the existing handles and remove the valves (unscrew anticlockwise using the correct sized spanner). Take care that the body of the tap/ mixer does not turn, which may disturb the connection to the pipework.
4. To denote the body thread try the valve in the body. If the thread fits it is a 1/2" BS5412 tap follow flow chart on 1/2" 5412 section.
5. If the thread in the body is too large, then try the 3/4" 5412 Tap insert (Small). If this fits then it is 3/4" BS5412 follow flow chart on 3/4" 5412 section.
6. If not the tap/ mixer is BS1010 and use the 3/4" 1010 Tap Insert (Large) follow flow chart on 3/4" 1010 section.

Note:- The Tap inserts must be fitted to the valve with the nut uppermost before the fitting of the spacer washers.

7. Measure the seating depth (*) of your tap/ mixer and then see the assembly chart to determine which spacers are required.
8. Remove the Mini screw from the valve and remove the rubber washer from the base of the valve. Fit the relevant spacer/s and washers as per the flow chart depending upon the seating depth and the type of tap/ mixer. Use the appropriate length screw to hold the assembly together.
9. Tighten the valve into the tap/ mixer body taking care not to over tighten.
10. Fit the tap head to the valve and turn on and off a few times to check the action before turning on the water. Secure the head with the screw and fit indice/ bezel.

Note: On the lever kit it may be necessary to adjust the gland nut (Small nut of the valve) to improve the shut off, to suit the water supply pressure and usage.



Please Note: In the unlikely event you find a part missing please contact our Customer Service Help line on 0844 701 6273 or e-mail enquire@bristan.com for immediate dispatch of part.