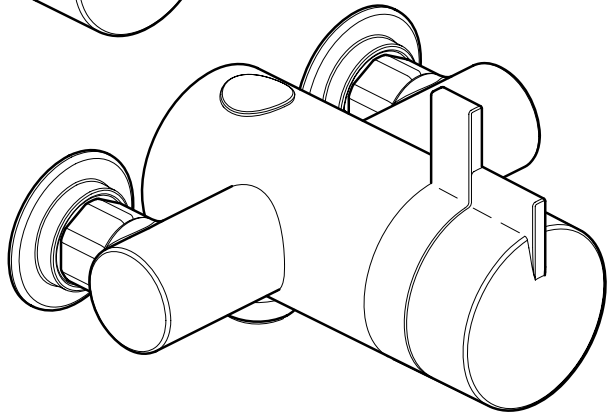
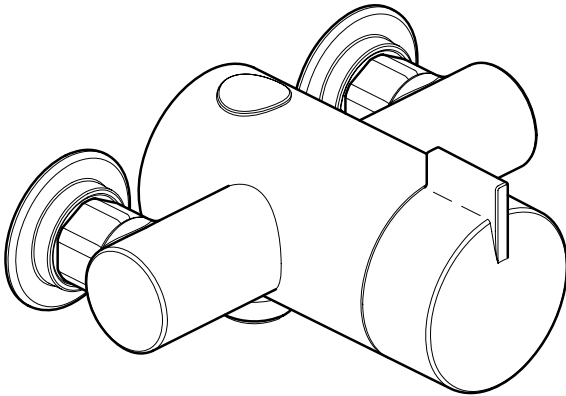


mira



SHOWERS



MIRA MOTO, MIRA PACE, MIRA MINILITE,
MIRA MINILITE ECO, MIRA MINIDUO &
MIRA MINIDUO WITH ECO SHOWERHEAD

THERMOSTATIC MIXERS

INSTALLATION & USER GUIDE

These instructions must be left with the user.

CONTENTS

Introduction	3
Guarantee	3
Recommended Usage	3
Patents and Design Registration	3
Pack Contents	4
Exposed Thermostatic Mixers	4
Built-in Thermostatic Mixers	5
Valve Combinations	6
Safety Warnings	7
Specifications	7
Pressures	7
Temperatures	7
Thermostatic Shut-down	7
Connections	7
Dimensions	8
Installation	9
Suitable Plumbing Systems	9
General	9
Exposed Thermostatic Mixers	10
Built-in Thermostatic Mixers	13
Flow Regulators	18
Commissioning	21
Maximum Temperature Setting	21
Operation	22
Type 2 Valves	22
User Maintenance	24
Fault Diagnosis	24
Lubricants	24
Cleaning	24
In-service Tests	24
Accessories	25
Spare Parts	26
Customer Service	Back Page

If you experience any difficulty with the installation or operation of your new thermostatic mixer, please refer to '**Fault Diagnosis**', before contacting Kohler Mira Ltd. Our contact details can be found on the back cover of this guide.

INTRODUCTION

Thank you for purchasing a quality Mira product. To enjoy the full potential of your new product, please take time to read this guide thoroughly, having done so, keep it handy for future reference.

The Mira Moto, Mira Minilite and Mira Minilite Eco are thermostatic mixers with a single control lever for on/off and temperature control.

The Mira Pace, Mira Miniduo and Mira Miniduo with Eco Showerhead are thermostatic mixers with separate flow and temperature controls.

The thermostatic mixers incorporate a wax capsule temperature sensing unit, which provides an almost immediate response to changes in pressures or temperature of the incoming water supplies to maintain the selected temperature. An adjustable maximum temperature stop is provided which limits the temperature to a safe level. Inlet filters are fitted to protect the thermostatic cartridge.

These products[†] have been certified as a Type 2 valves under the BUILDCERT TMV2 scheme. They also comply with the Water Supply (water fittings) Regulations 1999.

[†] Mira Minilite Eco models have a factory fitted flow regulator, therefore they do not comply with the minimum flow rate requirements of the TMV2 scheme and must not be fitted in TMV2 applications.

Guarantee

For **domestic installations**, Mira Showers guarantee the products listed in this guide against any defect in materials or workmanship for a period of **three** years from the date of purchase (shower fittings for one year).

For **non-domestic installations**, Mira Showers guarantee the products listed in this guide against any defect in materials or workmanship for a period of **one** year from the date of purchase.

For terms and conditions refer to the back cover of this guide.

Recommended Usage

Application	Valve with Fittings
Domestic	✓
Light Commercial	✓
Heavy Commercial	✗
Healthcare	✗

Patents and Design Registration

Patents:

GB: 2 291 693, 2 340 210, 2 392 225, 2 421 297

Euro: 1 672 257 DE, FR, GB, IT, NL, SE

France: 0 694 721

Germany: 695 13 455.8

USA: 7 240 850

Patent Applications:

Euro: 03254070.0

USA: 2006-0124758-A1, 2007-0221740-A1

Design Registration:

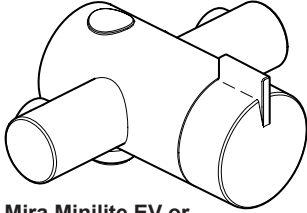
000793401-0005-00011

PACK CONTENTS

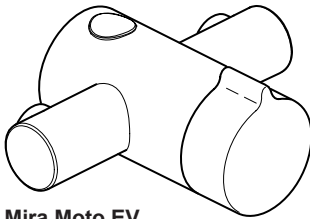
Tick the appropriate boxes to familiarise yourself with the part names and to confirm that all of the parts are included.

Exposed Thermostatic Mixers

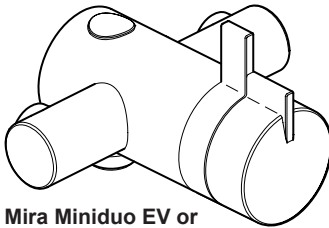
1 x Thermostatic Mixing Valve



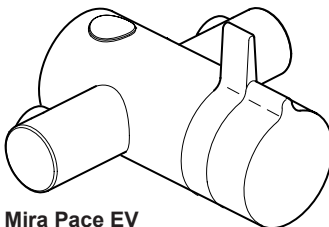
**Mira Minilite EV or
Mira Minilite Eco EV**



Mira Moto EV



**Mira Miniduo EV or
Mira Miniduo with Eco Showerhead EV**



Mira Pace EV

Documentation

- 1 x Guarantee Registration Document
- 1 x Installation Template

Component Pack



2 x Concealing Plates



2 x Compression Nuts



2 x Olives



2 x Wall Plugs



2 x Fixing Screws



1 x 2.5 mm Hexagonal Key



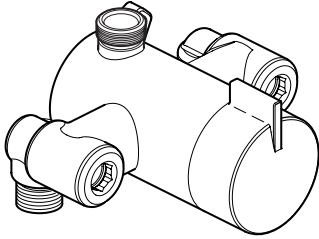
1 x Flow Regulator (refer to section: 'Flow Regulators')



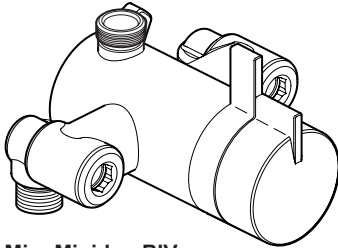
1 x 'O' Key

Built-in Thermostatic Mixers

- 1 x Thermostatic Mixing Valve



Mira Minilite BIV or
Mira Minilite Eco BIV



Mira Miniduo BIV or
Mira Miniduo with Eco Showerhead BIV or
Mira Miniduo with Eco Showerhead BIR

Documentation

- 1 x Guarantee Registration Document
- 1 x Cardboard Building-in Shroud

Component Pack



- 3 x Compression Nuts



- 3 x Olives



- 5 x Wall Plugs



- 5 x Fixing Screws



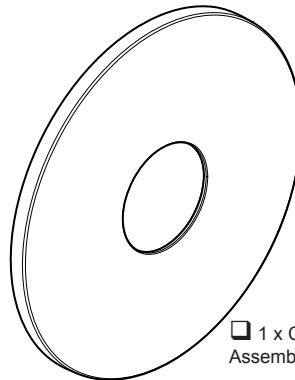
- 1 x 2.5 mm Hexagonal Key



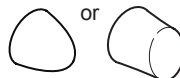
- 1 x Flow Regulator (refer to section: 'Flow Regulators')



- 1 x 'O' Key



- 1 x Concealing Plate Assembly



- 1 x RAC Assembly

VALVE COMBINATIONS

These thermostatic mixers are available with various shower fittings and water saving features, refer to the table below to identify your mixer valve combination:

Mixer Valve	Shower Fittings	Flow Regulator		
		Flow Rate (L/Min)	Colour	Comments
Moto EV / Minilite EV	L14A	12	Red	Supplied in the component pack, designed to be fitted in the shower valve outlet
Pace EV / Miniduo EV	L98B	12	Red	Supplied in the component pack, designed to be fitted in the shower valve outlet
Minilite BIV	L14A	12	Natural	Supplied in the component pack, designed to be fitted between the shower hose and RAC assembly
Minilite Eco EV	L14A	6	Black	Factory fitted in the shower valve outlet (optional 8 L/Min (white/natural) flow regulator supplied separately in the component pack)
Minilite Eco BIV	L14A	6	Black	Factory fitted in the RAC assembly (optional 8 L/Min (white/natural) flow regulator supplied separately in the component pack)
Miniduo BIV	L98B	12	Natural	Supplied in the component pack, designed to be fitted between the shower hose and RAC assembly
Miniduo with Eco Showerhead EV	L98B with Eco Showerhead	7.0	Olive Green	Supplied in the component pack, designed to be fitted between the shower hose and shower valve outlet
Miniduo with Eco Showerhead BIV	L98B with Eco Showerhead	7.0	Olive Green	Supplied in the component pack, designed to be fitted between the shower hose and RAC assembly
Miniduo with Eco Showerhead BIR	Eco BIR Showerhead	7.3	Bright Green	Supplied with the Eco BIR shower head, designed to be fitted between the wall plate and inlet nipple

Flow regulators are supplied for installation on high pressure systems (above 0.5 bar). For gravity fed or other low pressure systems do not fit the flow regulator.

The Mira Minilite Eco has a flow regulator factory fitted in the shower valve outlet or RAC assembly, on older combination boiler systems it may be necessary to replace this 6 L/Min flow regulator with the 8 L/Min flow regulator (supplied), in order to achieve the minimum flow rate required to ignite and run the boiler. Mira Minilite Eco models do not comply with the minimum flow rate requirements of the TMV2 scheme and must not be fitted in TMV2 applications.

Important! The fitting of any flow regulator will invalidate TMV2 compliance due to the minimum flow rate requirements. Do not fit flow regulators in TMV2 applications.

For further information on how and where to fit the flow regulator, refer to section: 'Flow Regulators'.

SAFETY WARNINGS

Mira thermostatic mixers are precision engineered and should give continued safe and controlled performance, provided:

1. They are installed, commissioned, operated and maintained in accordance with manufacturer's recommendations.
2. Type 2 Valves are only used for applications covered by their approved designations, refer to section: '**Type 2 Valves**'.
3. Periodic attention is given, when necessary, to maintain the product in good functional order.

Caution!

1. Read all of these instructions.
2. Retain this guide for later use.
3. Pass on this guide in the event of change of ownership of the installation site.
4. Follow all warnings, cautions and instructions contained in this guide.
5. Anyone who may have difficulty understanding or operating the controls of any shower should be attended whilst showering. Particular consideration should be given to the young, the elderly, the infirm or anyone inexperienced in the correct operation of the controls.
6. Rapid/Excessive movement of the flow and/or temperature control levers may result in momentary unstable blend temperatures.
7. Care is required when adjusting flow or temperature, make sure that the temperature has stabilised.
8. When this product has reached the end of its serviceable life, it should be disposed of in a safe manner, in accordance with current local authority recycling, or waste disposal policy.

SPECIFICATIONS

For Type 2 Valves, the supply conditions specified in section: '**Type 2 Valves - Application**' take precedence over the operating parameters which follow.

Pressures

- Max Static Pressure: **10 Bar**.
- Max Maintained Pressure: **5 Bar**.
- Min Maintained Pressure (Gravity System): **0.1 Bar (0.5 Bar)** for models with Eco Showerhead). (0.1 bar = 1 Metre head from cold tank base to showerhead outlet).
Note! For gravity fed or other low pressure systems (0.5 bar or below) do not fit the outlet flow regulator (where applicable).
- For optimum performance supplies should be nominally equal.

Temperatures

- Factory Pre-set (Blend) Shower: **41°C**.
- Optimum Thermostatic Control Range: **35°C to 43°C** (achieved with supplies of 15°C cold, 65°C hot and nominally equal pressures).
- Recommended Hot Supply: **60°C to 65°C**
Note! The mixing valve can operate at higher temperatures for short periods without damage, however this could detrimentally affect thermostatic performance. For safety and performance reasons it is recommended that the maximum hot water temperature is limited to 65°C.
- Cold Water Range: up to **25°C**.
- Minimum Recommended Differential between Hot Supply and Outlet Temperature: **12°C**.

Thermostatic Shut-down

- For safety and comfort the thermostat will shut off the mixing valve **within 2 Seconds** if either supply fails (achieved only if the blend temperature has a minimum differential of 12°C from either supply temperature).

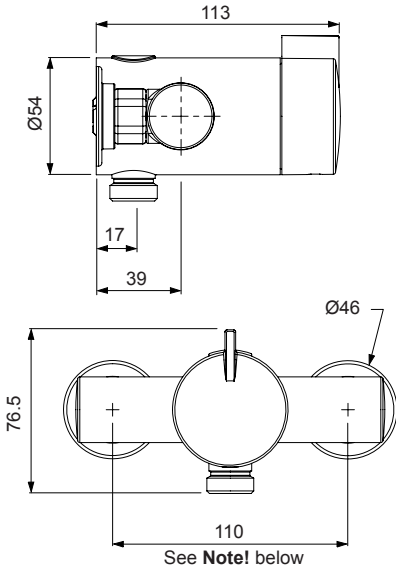
Connections

- Inlets: 15 mm Compression.
- Outlet: ½" BSP Flat Face / 15 mm Compression
- Standard connections are: **hot - left, cold - right, outlet - bottom (EV models), top (BIV and BIR models)**.

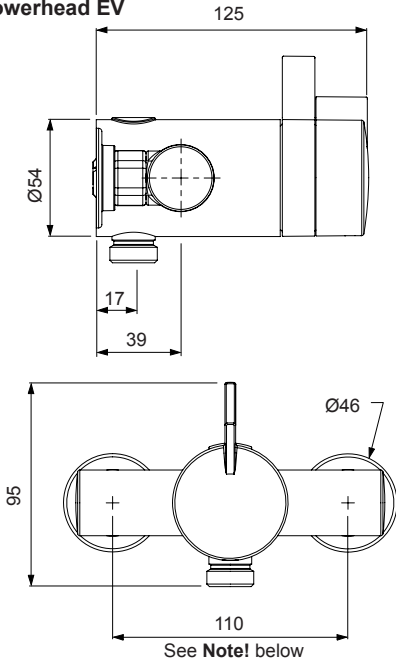
Dimensions

All dimensions in mm

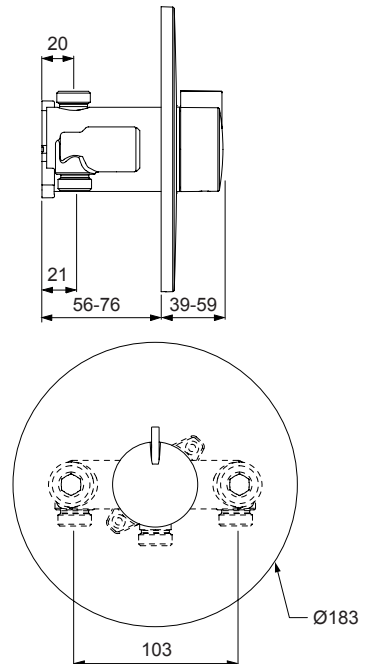
Moto, Minilite and Minilite Eco EV



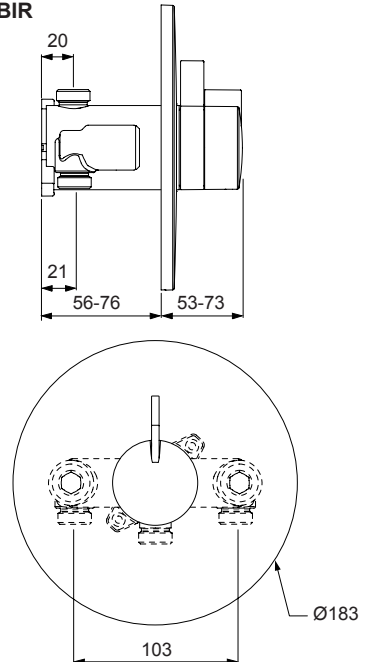
Pace, Miniduo and Miniduo with Eco Showerhead EV



Minilite and Minilite Eco BIV



Miniduo BIV and Miniduo with Eco Showerhead BIV / BIR



Note! If you are retro-fitting your mixing valve onto existing pipework, an **Adjustable Elbow Pack** is available if required, refer to section: 'Accessories'.

INSTALLATION

Suitable Plumbing Systems

Gravity Fed:

The thermostatic mixer must be fed from a cold water cistern (usually fitted in the loft space) and a hot water cylinder (usually fitted in the airing cupboard) providing nominally equal pressures.

Mains Pressurised Instantaneous Hot Water System (Combination Boiler):

The thermostatic mixer can be installed with systems of this type with balanced pressures. (Recommended Minimum Maintained Pressure: **1.0 Bar**).

Note! On combination boiler systems we recommend that the thermostatic mixer is operated in the maximum flow position in order to achieve the minimum flow rate required to ignite and run the boiler.

Unvented Mains Pressure System:

The thermostatic mixer can be installed with an unvented, stored hot water system.

Pumped System:

The thermostatic mixer can be installed with an inlet pump (twin impeller). The pump must be installed in a suitable location and in accordance with its instructions.

General

Installation must be carried out in accordance with these instructions, and must be conducted by designated, qualified and competent personnel.

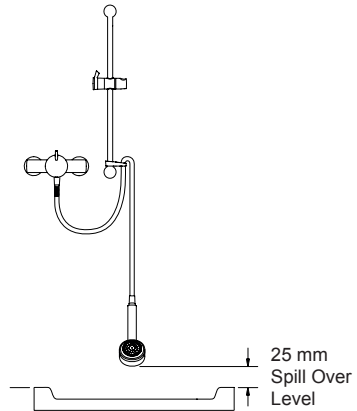
The installation must comply with the "Water Supply Regulations 1999 (Water Fittings)" or any particular regulations and practices, specified by the local water company or water undertakers.

Note! Make sure that all site requirements correspond to the information given in section: '**Specifications**'. For Type 2 Valves see also supply conditions in section: '**Type 2 Valves**'.

1. The Mixer must not be installed in an area where it may freeze.
2. For stud partitions alternative fixings may be required.

3. Isolating valves **must** be installed close to the Mixer for ease of maintenance.
4. Pipework must be rigidly supported and avoid any strain on the connections.
5. Pipework dead-legs should be kept to a minimum.
6. Decide on a suitable position for the Mixer. The position of the Mixer and the Shower Fittings must provide a minimum gap of 25 mm between the spill-over level of the shower tray/bath and the showerhead (refer to illustration). This is to prevent back-siphonage. For further information on the installation of your **Shower Fittings**, refer to the Fittings Installation and User Guide.

Note! Only use Shower Fittings recommended by the manufacturer or supplier.

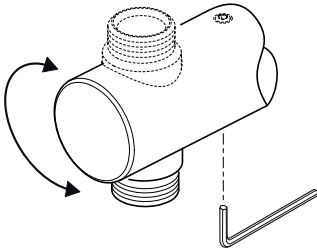


Exposed Thermostatic Mixers

For **Built-in** Thermostatic Mixers go to section: 'Installation, Built-in Thermostatic Mixers'.

1. The thermostatic mixer can be installed with rear, rising or falling supply inlets. Decide on the most appropriate method for your installation, and if necessary, loosen the grub screws and rotate the inlet elbows to suit.

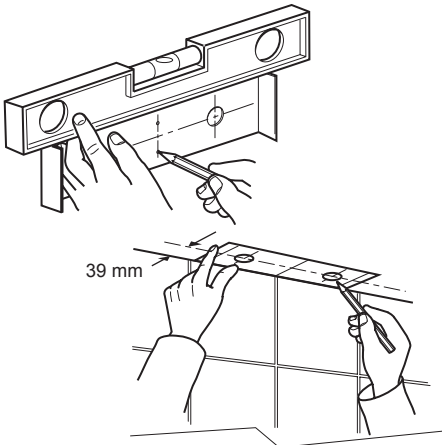
Important! Make sure that the elbows are pushed fully onto the mixer before tightening the grub screws, **do not** overtighten.



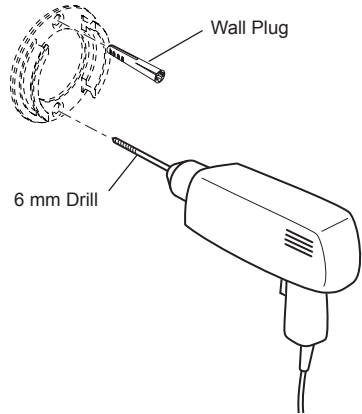
2. Use the installation template to mark the positions of the holes for the backplate and the pipe centres.

For rising or falling supplies the pipe positions should be set 39 mm from the centre of pipe to the finished wall at 110 mm centres.

Note! If you are retro-fitting your mixing valve onto existing pipework, an **Adjustable Elbow Pack** is available if required, refer to section: 'Accessories'.



3. For solid walls drill the holes for the backplate with a 6 mm drill and insert the wall plugs (supplied). For other types of wall structure alternative fixings may be required (not supplied).



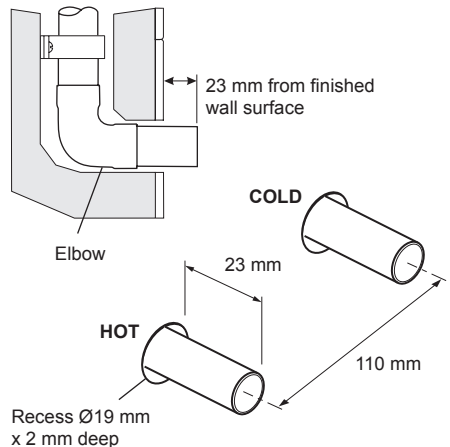
4. **For Rear Entry Supplies Only:**

- a) Drill the holes for the supply pipes at 110 mm centres.

Note! Recess the inlet holes $\text{Ø}19 \text{ mm}$ x 2 mm deep to allow for the concealing plates.

5. Fit the supply pipework: **Hot - Left, Cold - Right**. The inlet pipework should extend 23 mm from the finished wall surface.

Note! If it is not possible to install the mixer with this pipework configuration follow instruction 6.



6. Reversed Inlet Supplies Only:

- a) Using a suitable tool, carefully remove the plug cap from the centre of sealing plug to reveal keyway.
- b) Remove the sealing plug using the 'O' key (supplied) or a 12 mm hexagonal key.
- c) Unscrew the outlet nipple using the 'O' key (supplied) or a 12 mm hexagonal key.

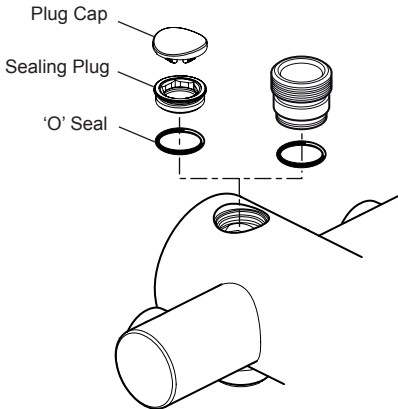
Note! On Mira Minilite Eco models carefully remove the flow regulator from the outlet nipple first.

- d) Refit the sealing plug and outlet nipple in the opposite outlets and tighten.

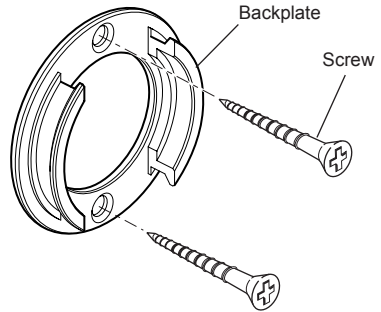
Note! Make sure that the 'O' seals are correctly fitted.

Note! On Mira Minilite Eco models refit the flow regulator.

- e) Rotate the mixer 180°.
- f) The control knob(s) will have to be realigned, this can be completed in section: '**Commissioning**'.



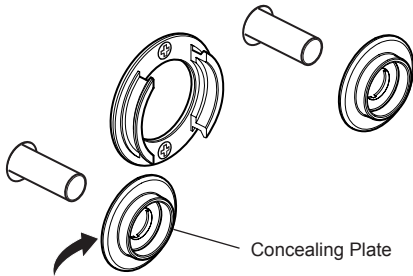
7. Remove the backplate from the mixer by loosening the grub screw with a 2.5 mm hexagonal key (supplied).
8. Secure the backplate to the wall using the screws (supplied).



9. For Rear Entry Supplies Only:

- a) Fit the concealing plates over the inlet pipes.

Note! Apply silicone sealant to the back face of the flange.



Apply Silicone Sealant

10. Caution! It is essential at this point that the supply pipework is thoroughly flushed through before connection to the mixer. Failure to do so may result in product malfunction and will not be covered under the guarantee.

- 11. Fit the compression nuts and olives onto the pipework.

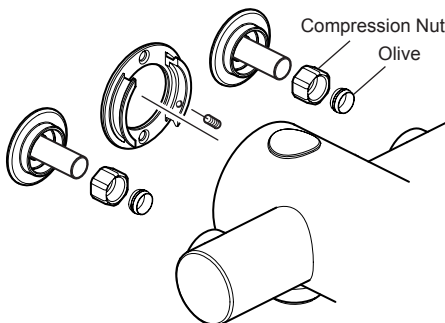
- 12. Align the mixer with the pipework and fit onto the backplate.

Important! Make sure that the hot and cold inlets on the mixer correspond with the hot and cold inlet supplies.

- 13. Tighten the compression nuts onto the mixer with a suitable spanner.

Caution! Take care not to damage the chrome surfaces.

- 14. Tighten the grubscrew to secure the mixer to the backplate.



- 15. Fit the shower fittings, refer to your shower fittings installation and user guide for instructions.

Important! For high pressure systems (above 0.5 bar) make sure that the flow regulator (supplied) is fitted, refer to section: '**Flow Regulators**'.

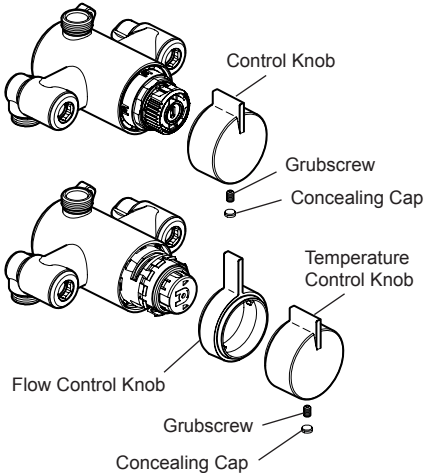
- 16. Turn on the hot and cold water supplies and check for leaks.

- 17. Before using the shower, refer to section: '**Commissioning**'.

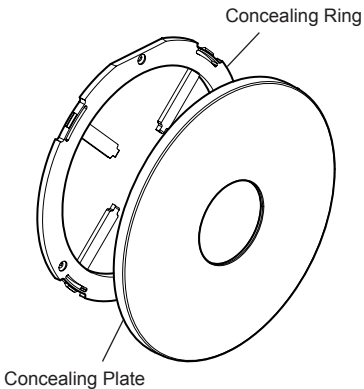
Built-in Thermostatic Mixers

1. Carefully remove the concealing cap from the control knob.
2. Unscrew the grub screw using a 2.5 mm hexagonal key (supplied) and pull off the control knob(s).

Note! The flow control knob must be in the off position in order to remove it.

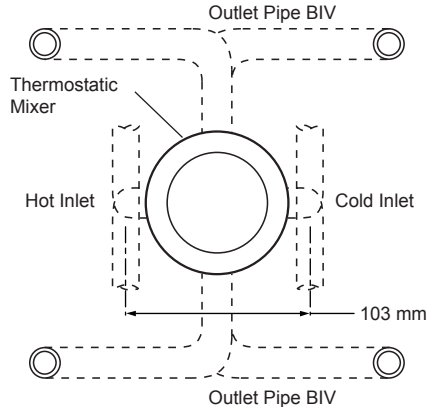


3. Carefully remove the concealing ring from the concealing plate.



4. Determine the route for the hot and cold supply pipework and for the outlet pipework. When connecting to the BIV shower fittings it is recommended that the outlet be positioned to one side of the mixer. This is to prevent the flexible hose from obstructing the shower controls (refer to illustration).

Alternative Pipe layouts



5. Mark the routes for the hot and cold supply pipework at 103 mm centres (**Hot - Left, Cold - Right**).

Note! If it is not possible to install the mixer with this pipework configuration follow instruction 6.

Falling Supplies: For falling supplies loosen the grub screw on each elbow using the 2.5 mm hexagonal key (supplied). Remove the elbows and install on opposite sides.

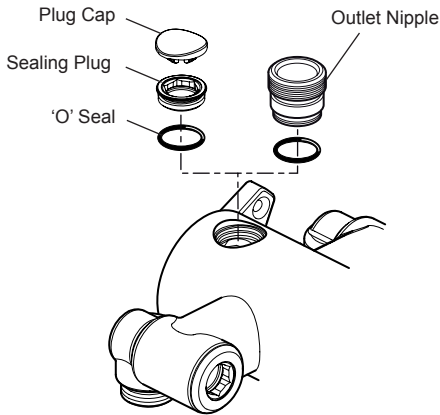
Important! Make sure that the elbows are pushed fully onto the mixer before tightening the grub screws, **do not** overtighten.

6. Reversed Inlet Supplies Only:

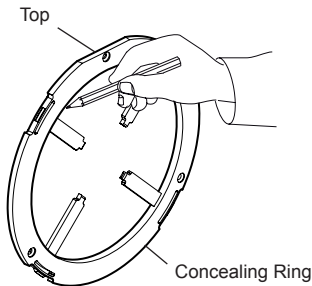
- Remove the sealing plug using the 'O' key (supplied) or a 12 mm hexagonal key.
- Remove the outlet nipple using the 'O' key (supplied) or a 12 mm hexagonal key.
- Refit the sealing plug and outlet nipple in the opposite outlets and tighten.
Note! Make sure that the 'O' seals are correctly fitted.

- Rotate the mixer 180°.
- If necessary, loosen the grubscrew on each elbow using the 2.5 mm hexagon key (supplied). Remove the elbows and install on opposite sides. Retighten the grubscrews.

Important! Make sure that the elbows are pushed fully onto the mixer before tightening the grubscrews.

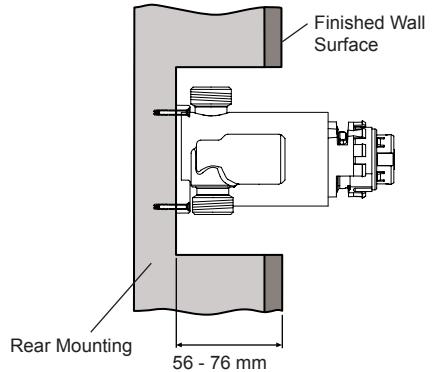


- Determine the position of the mixer and draw around the **inside** of the concealing ring.

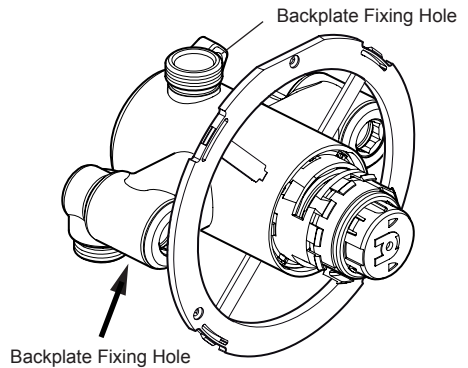


- Carefully cut away the plasterboard and/or brick work to a depth of between 56 and 76 mm from the **finished wall surface**.

Important! Take care to stay within the marked out diameter otherwise the concealing ring will not seal.



- Fit the concealing ring over the mixer body, then, holding the mixer level, central and square in the hole, mark the positions of the two backplate fixing holes on the wall.



- For solid walls drill two 6 mm holes for the wall plugs. For other types of wall structure alternative fixings may be required (not supplied).

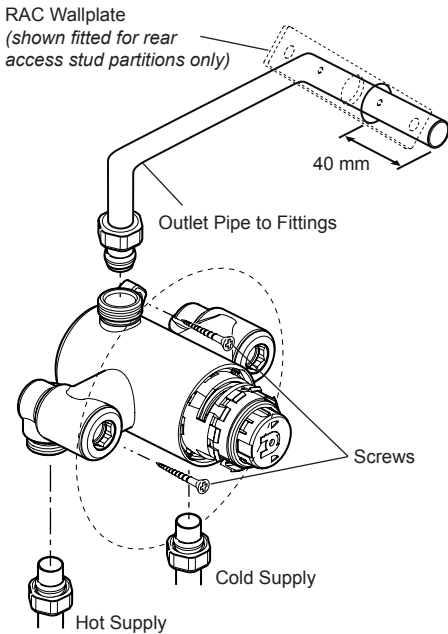
- Caution!** It is essential at this point that the supply pipework is thoroughly flushed through before connection to the mixer. Failure to do so may result in product malfunction and will not be covered under the guarantee.

12. Insert the wall plugs (supplied) and attach the mixer to the wall or to the timber noggin with the screws provided.
13. Fit the compression nuts and olives onto the pipework, connect the pipes and tighten the compression nuts.

Important! Make sure that the outlet pipework protrudes through a $\text{\O}25$ mm hole in the wall or stud partition by approximately 40 mm and temporarily cap off.

Note! For stud partition installations where access to the rear of the partition is possible, fit the RAC wallplate over the outlet pipework on the inside of the partition.

For stud partition installations where access to the rear of the wall is not possible, follow instructions for solid wall installations, making sure that suitable wall fixings (not supplied) are used to secure the wallplate to the outside of the stud partition.



14. Turn on the water supplies and check for leaks.
15. Determine the finished wall position (e.g. tile thickness). Turn off the water supply, carefully uncap the outlet pipe and cut to length, the outlet pipe must protrude through the **finished wall surface** by 21–23 mm.

Note! Remove any burrs from the pipes before proceeding.

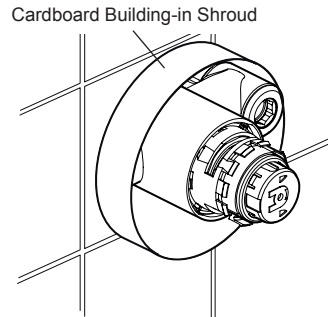
16. For solid wall installations or stud partition installations **without** rear access go to instruction 21.

For stud partition installations with access to the rear of the partition continue with instruction 17.

17. Finish the wall (e.g. tiles).

Important! Make sure that you use the cardboard building-in shroud when finishing the wall. This will protect the valve and make sure that you tile up to the correct diameter.

Caution! Make sure that the finished wall is within the maximum and minimum limits and to an even depth (no greater than 2 mm variation) or the controls will not fit correctly.

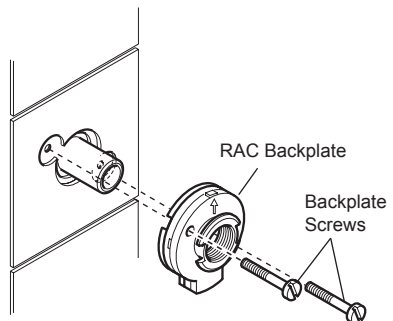


18. Place the RAC backplate over the outlet pipe with the arrow pointing up. The screw holes should be at 45° to the horizontal.

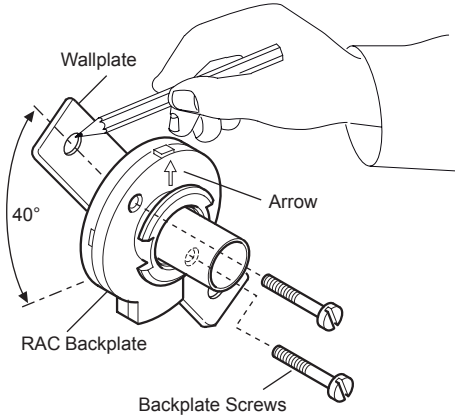
19. Mark the positions of the two RAC backplate fixing holes and drill the two 5.5 mm holes.

Caution! Make sure that you do not drill into pipework in the wall.

20. Hold the RAC wallplate in position on the rear of the partition, insert the two backplate screws and secure the RAC backplate to the wallplate. Make sure that the foam seal abuts the finished wall surface. Go to instruction 30.



21. Loosely attach the RAC backplate to the RAC wallplate, using the two backplate screws provided.
22. Place the RAC backplate/wallplate assembly over the outlet pipe with the arrow pointing vertically up. The screw holes should be at 40° to the horizontal.
23. Mark the positions of the two RAC wallplate fixing holes.



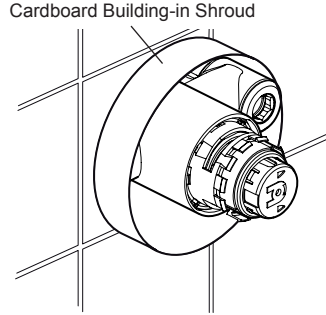
24. Remove the assembly from the wall and separate the backplate from the wallplate.
25. For solid walls drill two 6 mm holes for the wall plugs. For other types of wall structure alternative fixings may be required (not supplied). If necessary, make a recess 6 mm deep to accept the wallplate for flush fitting of the outlet to the wall surface.

Caution! Make sure that you do not drill into pipework in the wall.
26. Fit the two wall plugs supplied and secure the wallplate to the wall with the two wallplate screws.
27. Make sure that there is clearance behind the wallplate and temporarily fit the two backplate screws into the wallplate. This will prevent the fixing holes from becoming blocked with plaster or grout.

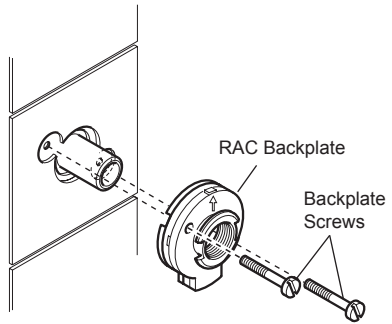
28. Finish the wall, e.g. tiles, then remove the two backplate screws.

Important! Make sure that you use the cardboard building-in shroud when finishing the wall. This will protect the valve and make sure that you tile up to the correct diameter.

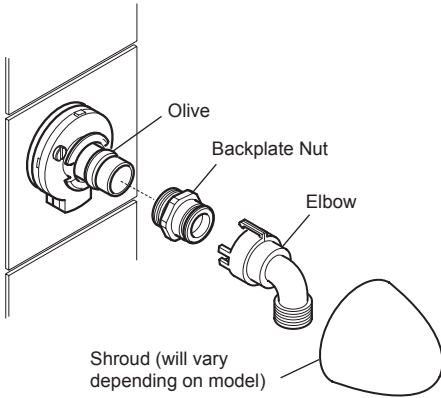
Caution! Make sure that the finished wall is within the maximum and minimum limits and to an even depth (no greater than 2 mm variation) or the controls will not fit correctly.



29. Place the backplate over the outlet pipe with the arrow pointing vertically up and tighten the two backplate screws. Make sure that the foam seal abuts the finished wall surface.

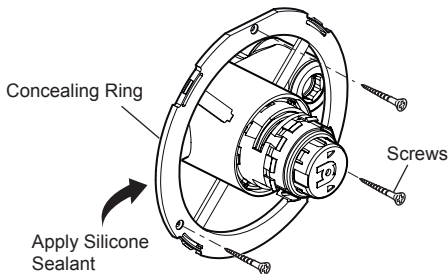


30. Check that the blue 'O' seal is fitted inside the backplate nut. Fit the olive and the backplate nut over the outlet pipe and tighten the nut.
31. Check that the second 'O' seal (black) is fitted to the outside of the backplate nut. Press the elbow onto the backplate, make sure that the clips on the elbow engage with the backplate.
32. Press the shroud over the elbow, make sure that it engages with the lugs on the backplate.



33. Fit the concealing ring over the mixer and mark the positions of the three fixing holes.
 34. For solid walls drill three 6 mm holes for the wall plugs. For other types of wall structure alternative fixings may be required (not supplied).
- Caution!** Make sure that you do not drill into pipework in the wall.
35. Insert the wall plugs (supplied) and attach the concealing ring to the wall with the screws provided.

Important! Apply silicone sealant to the groove on the rear face of the concealing ring



36. Fit the concealing plate to the concealing ring.
 37. Refit the control knobs.
 38. Fit the shower fittings, refer to your shower fittings installation and user guide for instructions.
- Important!** For high pressure systems (above 0.5 bar) make sure that the flow regulator (supplied) is fitted, refer to section: '**Flow regulators**'.
39. Turn on the hot and cold water supplies and check for leaks.
 40. Before using the shower, refer to section: '**Commissioning**'.

FLOW REGULATORS

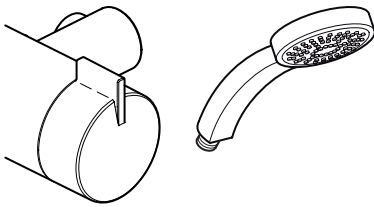
These thermostatic mixers are available with various shower fittings and water saving features, therefore the position and type of flow regulator will vary by model.

For high pressure systems (above 0.5 bar), identify your model and install the flow regulator as illustrated (where appropriate). For gravity fed or other low pressure systems do not fit the flow regulator.

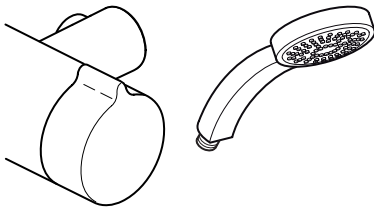
Important! The fitting of any flow regulator will invalidate TMV2 compliance due to the minimum flow rate requirements. Do not fit flow regulators in TMV2 applications.

Mira Minilite EV

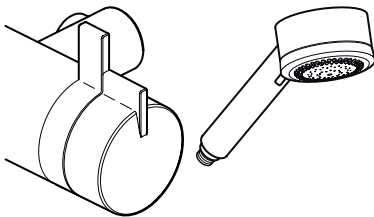
Mira Minilite Eco EV



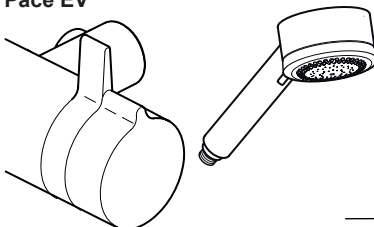
Mira Moto EV



Mira Miniduo EV

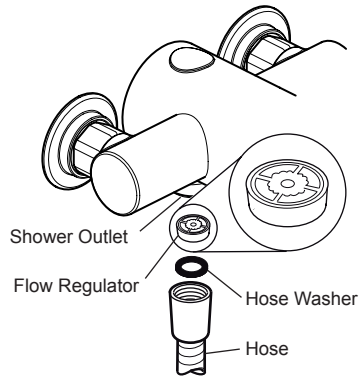


Mira Pace EV



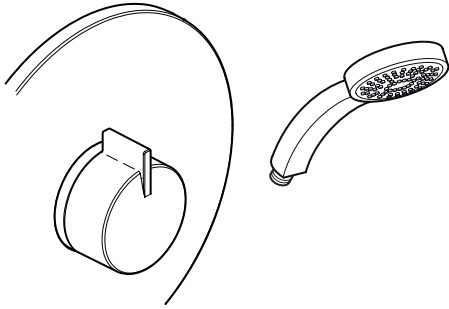
Note! A 12 L/Min flow regulator (red) is supplied separately in the component pack, designed to be fitted in the shower valve outlet.

On Mira Minilite Eco EV models only, a 6 L/Min flow regulator (black) is factory fitted in the shower valve outlet, on older combination boiler systems it may be necessary to replace this flow regulator with the 8 L/Min flow regulator (white/natural), in order to achieve the minimum flow rate required to ignite and run the boiler.



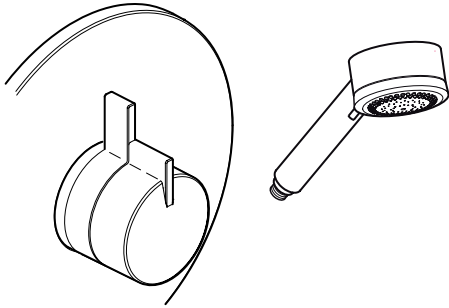
Mira Minilite BIV

A 12 L/Min flow regulator (natural) is supplied separately in the component pack, designed to be fitted between the shower hose and RAC assembly.



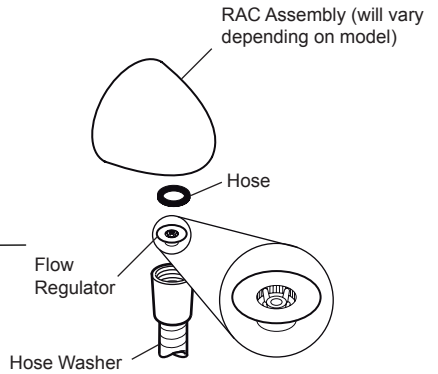
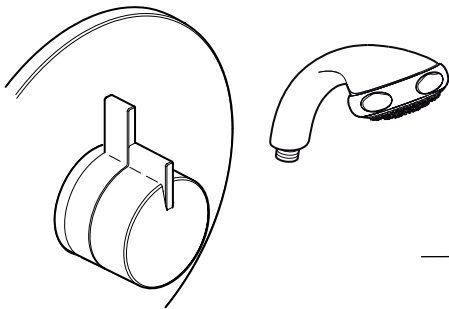
Mira Miniduo BIV

A 12 L/Min flow regulator (natural) is supplied separately in the component pack, designed to be fitted between the shower hose and RAC assembly.



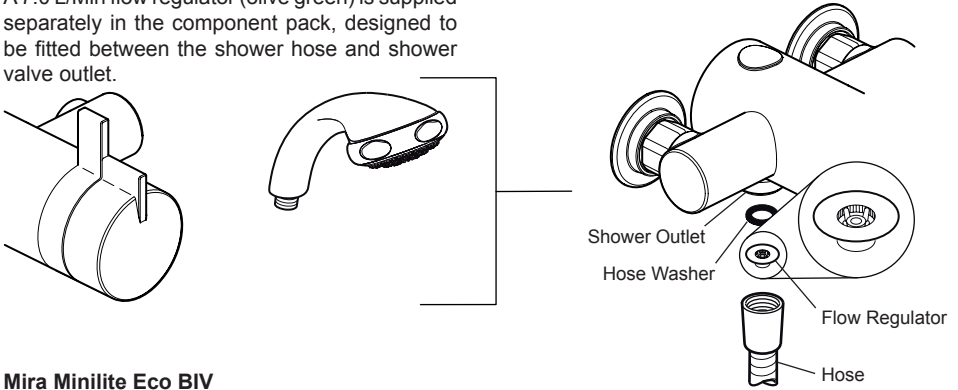
Mira Miniduo with Eco Showerhead BIV

A 7.0 L/Min flow regulator (olive green) is supplied separately in the component pack, designed to be fitted between the shower hose and RAC assembly.



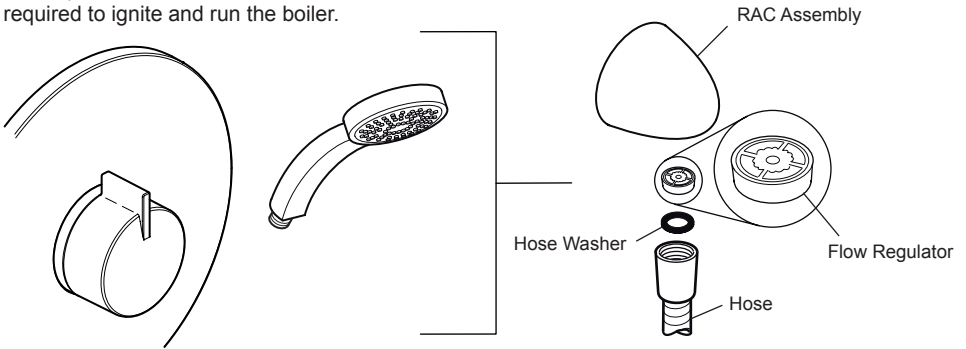
Mira Miniduo with Eco Showerhead EV

A 7.0 L/Min flow regulator (olive green) is supplied separately in the component pack, designed to be fitted between the shower hose and shower valve outlet.



Mira Minilite Eco BIV

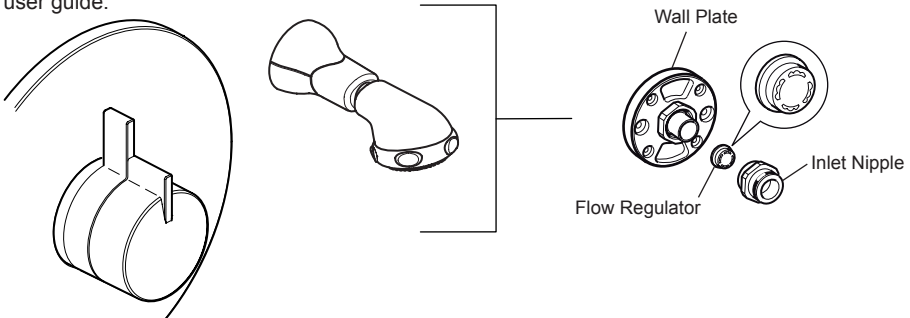
A 6 L/Min flow regulator (black) is factory fitted in the RAC assembly, on older combination boiler systems it may be necessary to replace this flow regulator with the 8 L/Min flow regulator (white/natural), in order to achieve the minimum flow rate required to ignite and run the boiler.



Mira Minilite with Eco Showerhead BIR

A 7.3 L/Min flow regulator (bright green) is supplied with the BIR showerhead, designed to be fitted between the wall plate and inlet nipple.

Refer to your shower fittings installation and user guide.



COMMISSIONING

Maximum Temperature Setting

Before using the shower the maximum temperature must be checked to make sure that it is at a safe level. It has been preset to approximately 41°C at the factory but due to variations in site conditions the maximum temperature may need adjustment.

Note! Make sure that the hot water temperature is at least 55°C and that there is sufficient supply. For Type 2 installations the maximum blend temperature is determined by the application, refer to section: '**Type 2 Valves - Application**'.

1. Turn on the mixer to the maximum temperature and maximum flow (i.e. fully anticlockwise) and allow the temperature to stabilise.

If the temperature is too hot or too cold adjust as follows:

2. Carefully remove the concealing cap from the control knob.
3. Loosen the control lever grubscrew with the 2.5 mm hexagon key (supplied) and pull off the control lever.
4. If applicable unscrew the hub retaining screw with a 2.5 mm hexagon key.

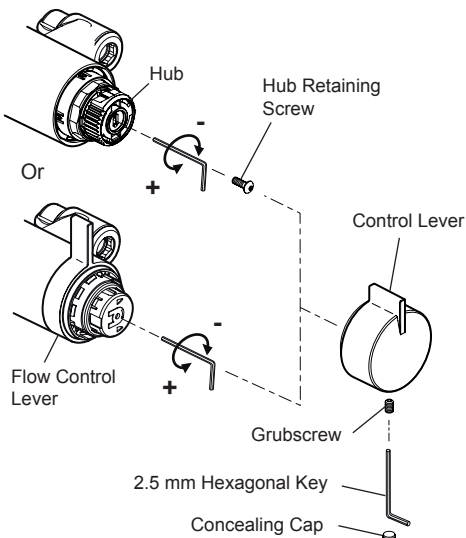
Note! Do not remove the hub.

5. Insert the 2.5 mm hexagon key into the centre of the spindle and engage with the recessed temperature adjusting screw.
6. Rotate the hexagon key until the required maximum temperature is obtained at the shower. Anticlockwise to increase the temperature, or clockwise to decrease the temperature ($\frac{1}{4}$ turn = approximately 1°C).

7. Once the desired maximum blend temperature has been achieved turn off the mixer by rotating either the hub or flow control lever (depending on model) fully clockwise.

Note! Do not remove the hub.

8. If applicable refit the hub retaining screw.
9. Refit the control lever with the lever at the top and retighten the grubscrew.
10. Check that the shower temperature is correct.

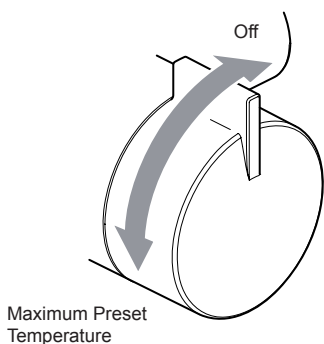


OPERATION

Mira Moto, Mira Minilite and Mira Minilite Eco thermostatic mixers have a single sequential control lever for on/off and temperature control.

The control lever operates anti-clockwise in the following sequence:

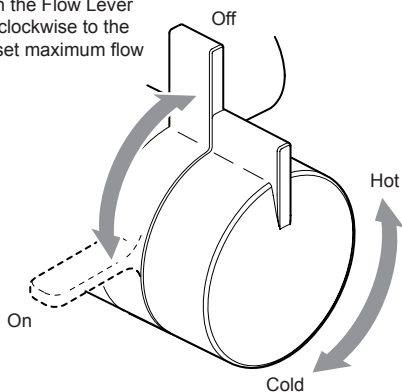
- Off
- On
- Cold
- Warm
- Maximum Preset Temperature



Mira Pace, Mira Miniduo and Mira Miniduo with Eco Showerhead thermostatic mixers have separate control levers for on/off and temperature.

The control levers operate as shown below:

Turn the Flow Lever anticlockwise to the preset maximum flow



Turn the Temperature Control Handle clockwise to decrease the temperature and anticlockwise to the preset maximum temperature

TYPE 2 VALVES

Application

The approved designations for Type 2 Valves are as follows:

Models	Designation
Moto, Pace, Minilite [#] and Miniduo	LP-S, HP-S

[#] Mira Minilite Eco models have a factory fitted flow regulator, therefore they do not comply with the minimum flow rate requirements of the TMV2 scheme and must not be fitted in TMV2 applications.

Important! The fitting of any flow regulator will invalidate TMV2 compliance due to the minimum flow rate requirements. Do not fit flow regulators in TMV2 applications.

The permitted application details are:

Designation	Operating Pressure Range	Application	Mixed Water Temp [†]
LP-S	Low Pressure	Shower	41°C Max
HP-S	High Pressure	Shower	41°C Max

[†] Mixed water temperature at discharge point.

Important! For TMV2 installations the mixed water temperature at the discharge point should never exceed 46°C.

In order to achieve the safe water temperatures expected of a Type 2 Valve it is essential that the valve is used only for the applications covered by its approved designations, with the appropriate water supply pressures and temperatures, and it is commissioned, maintained and serviced in accordance with the recommendations contained in this guide (refer to the section '**Maintenance, In-Service Tests**' for in service test frequency that must be used as a minimum guide in Type 2 installations).

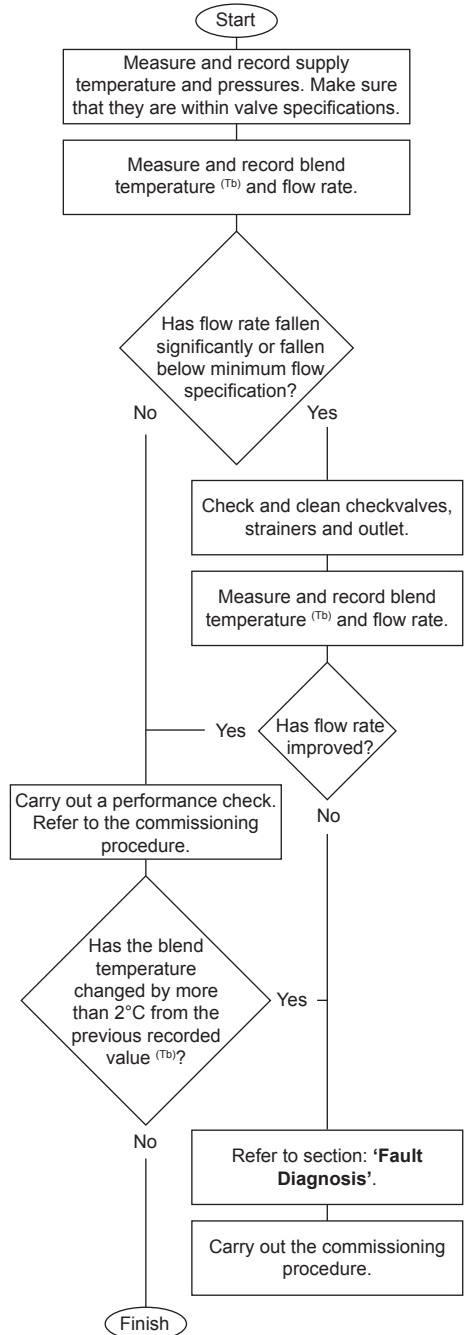
Supply Conditions

For applications where a Type 2 Valve is required, the supply conditions must comply with the values extracted from the TMV2 standard (EN1287 & EN1111), shown in the Table below. Note that both hot and cold supply pressures must lie within the same pressure range.

Operating Pressure Range	High Pressure	Low Pressure
Maximum Static Pressure (bar)	10	10
Maintained Pressure, Hot and Cold (bar)	1 to 5	0.2 to 1
Hot Supply Temperature (°C)	55 to 65	55 to 65
Cold Supply Temperature (°C)	≤25	≤25

Valves operating outside these conditions cannot be guaranteed to operate as Type 2 Valves.

Flow Diagram, In-service Test Program



Note! All measurements and results should be recorded in the Log Book.

USER MAINTENANCE

If you require a Mira trained service engineer or agent, refer to section: '**Customer Services**'.

Fault Diagnosis

Symptom:

- Only hot or cold water from the mixer outlet.
- Outlet temperature too hot / too cold.

Cause Rectification:

- Inlets reversed (hot supply to cold supply). Refer to section: '**Reversed Inlet Supplies**'.
 - No hot water reaching mixer.
 - Check the filters for any blockage.
 - Installation conditions outside operating parameters, refer to sections: '**Specifications**' and '**Commissioning**'.
-

Symptom:

- Fluctuating or reduced flow rate.

Cause Rectification:

- Check the showerhead, hose and filters for any blockage.
 - Make sure that the maintained inlet pressures are nominally balanced and sufficient, refer to section: '**Specifications**'.
 - Make sure that the inlet temperature differentials are sufficient, refer to section: '**Specifications**'.
 - Air lock or partial blockage in the pipework.
 - Flow regulator fitted incorrectly.
 - Low flow causing combination boiler to cycle. Operate at preset maximum flow.
 - Mira Minilite Eco models only - flow regulator causing combination boiler to cycle. Replace 6 L/Min flow regulator (fitted) with 8 L/Min flow regulator (supplied).
-

Symptom:

- Water leaking from the showerhead.

Cause Rectification:

- Normal for a short period after shut off.
- Check that the pressures are not in excess of the specifications for the product.
- Renew the thermostatic cartridge.

Lubricants

Silicone based lubricants must only be used on the rubber seals.

Caution! Oil based or other lubricant types may cause rapid deterioration of seals.

Cleaning

The chrome plated parts should be cleaned using a mild washing up detergent or soap solution, rinsed and then wiped dry with a soft cloth.

Warning! Many household cleaners contain abrasive and chemical substances, and should not be used for cleaning plated or plastic fittings.

Do not use descalents on this product.

In-service Tests

The principal means for determining the continuing satisfactory performance of the mixing valve is the in-service test.

Follow the procedure detailed in the flow diagram "In-service Test Procedure".

Frequency of In-service Tests - Commercial (non-domestic installations)

Check for correct blend setting every 6 months.

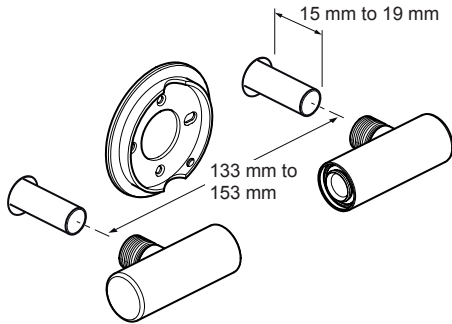
Follow the procedure detailed in the flow diagram "In-service Test Procedure", every 12 months.

ACCESSORIES

1663.012 Adjustable Elbow Pack:

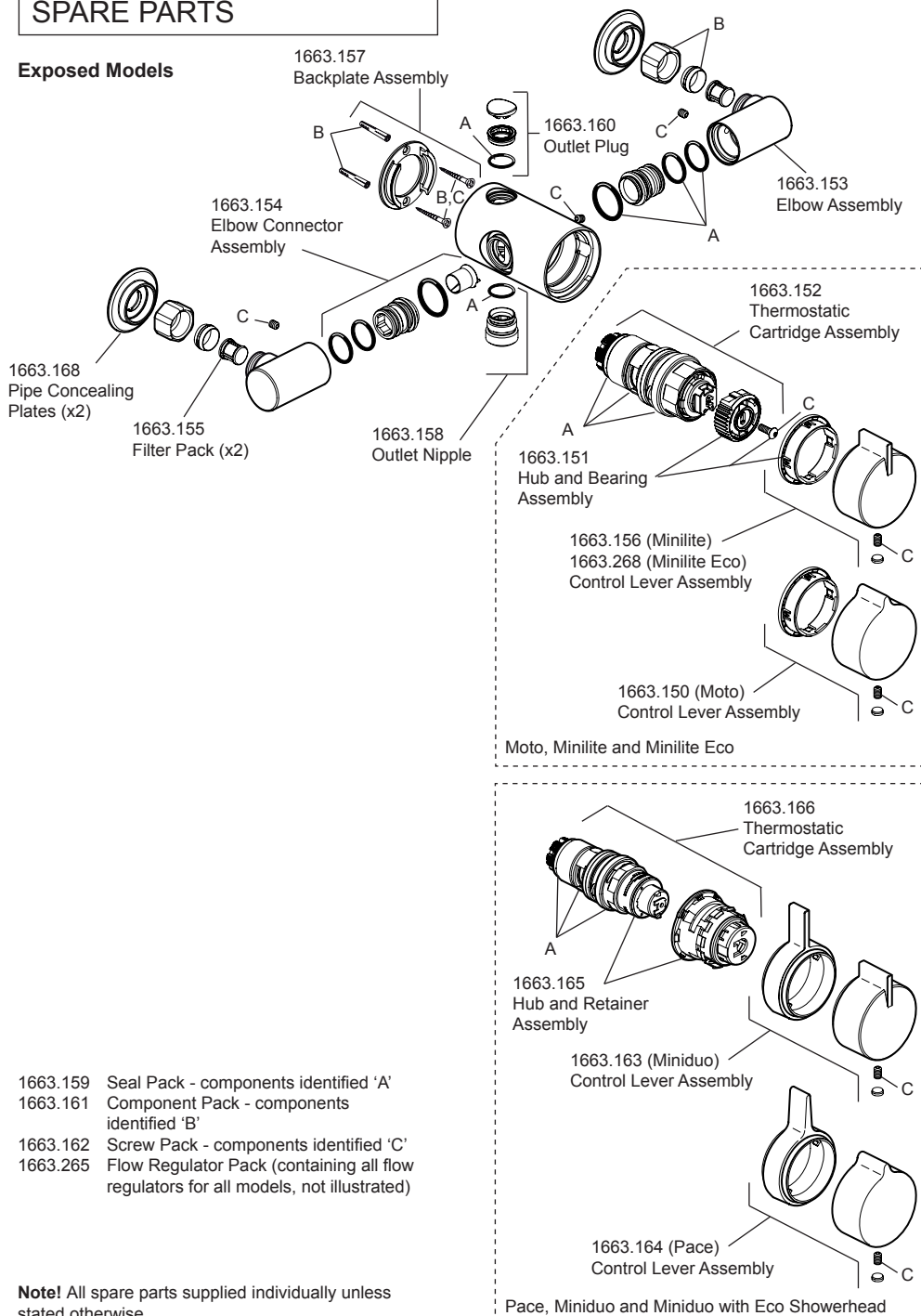
This comprises extendable elbows and an adjustable backplate. It is designed to allow the mixing valve to be retro-fitted onto pipework extending 15 mm to 19 mm from the finished wall surface, and with pipe centres of between 133 mm and 153 mm.

Genuine Mira accessories can be purchased direct from Customer Services (our contact details can be found on the back cover of this guide) or from approved stockists or merchants.



SPARE PARTS

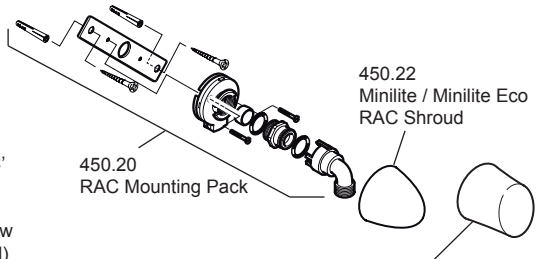
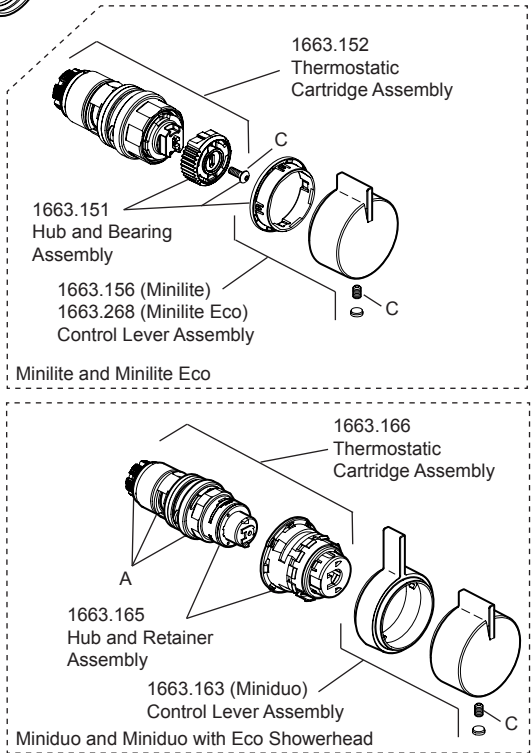
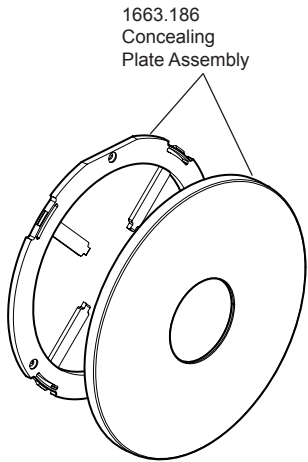
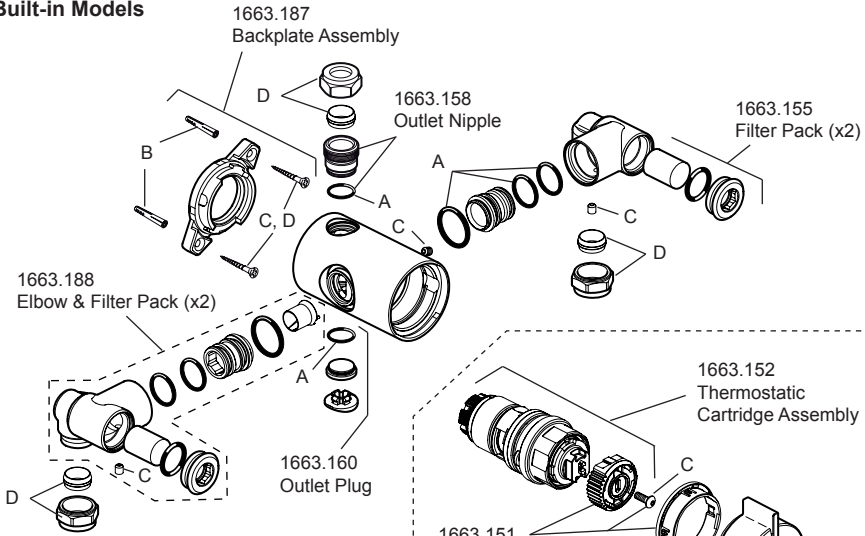
Exposed Models



- 1663.159 Seal Pack - components identified 'A'
- 1663.161 Component Pack - components identified 'B'
- 1663.162 Screw Pack - components identified 'C'
- 1663.265 Flow Regulator Pack (containing all flow regulators for all models, not illustrated)

Note! All spare parts supplied individually unless stated otherwise.

Built-in Models



- 1663.159 Seal Pack - components identified 'A'
- 1663.162 Screw Pack - components identified 'C'
- 1663.189 Component Pack - components identified 'D'
- 1663.265 Flow Regulator Pack (containing all flow regulators for all models, not illustrated)

Note! All spare parts supplied individually unless stated otherwise.

1595.035
Miniduo / Miniduo with Eco
Showerhead RAC Shroud

CUSTOMER SERVICE

Guarantee of Quality

Mira Showers guarantee your product against any defect in materials or workmanship, provided that it is installed and maintained in accordance with the instructions given in this guide.

To validate the guarantee, please return your completed registration card within 30 days of product installation.

Within the guarantee period we will resolve defects, free of charge, by repairing or replacing parts or modules as we may choose.

To be free of charge, service work must only be undertaken by Mira Showers or our approved agents.

Service under this guarantee does not affect the expiry date of the guarantee.

The guarantee on any exchanged parts or product ends when the normal product guarantee period expires.

Not covered by this guarantee:

Planned maintenance, or replacement parts required to comply with the servicing requirements of the TMV 2 and TMV 3 healthcare schemes (where applicable).

Damage or defects arising from incorrect installation, improper use or lack of maintenance, including build-up of limescale.

Damage or defects if the product is taken apart, repaired or modified by any persons not authorised by Mira Showers or our approved agents.

This guarantee is in addition to your statutory and other legal rights.

What to do if something goes wrong

If when you first use your shower, it doesn't function correctly, first contact your installer to check that installation and commissioning are satisfactory and in accordance with the instructions in this manual. We are on hand to offer you or your installer any advice you may need.

Should this not resolve the difficulty, simply contact our Customer Services Team who will give every assistance and, if necessary, arrange for our service engineer to visit. If the performance of your shower declines, consult this manual to see whether simple home maintenance is required. Please call our Customer Services Team to talk the difficulty through, request a service under guarantee if applicable, or take advantage of our comprehensive After-Sales service.

As part of our quality and training programme calls may be recorded or monitored.

Our Customer Services Team is comprehensively trained to provide every assistance you may need: help and advice, spare parts or a service visit.

Spare Parts

We maintain an extensive stock of spares and aim to provide support throughout the product's expected life.

Genuine Mira spares can be purchased direct from Customer Services or from approved stockists or merchants (locations on request).

Spare parts will normally be despatched within two working days. Payment can be made using most major Credit or Debit cards at the time of ordering. Should payment by cheque be preferred, a pro-forma invoice will be sent.

All spares are guaranteed for 12 months from date of purchase. Spares that have been supplied directly from us can be returned within one month from date of purchase, providing that they are in good order and the packaging is unopened.

Note! Returned spares will be subject to a 15% restocking charge and authorisation must be obtained before return. Please contact our Customer Services Team.

Note! In the interests of safety, spares requiring exposure to mains voltages must only be fitted by competent persons.

Service / Repairs

Our Service Force is available to provide a quality service at a reasonable cost. You will have the assurance of a Mira trained engineer/agent, genuine Mira spare parts and a 12 month guarantee on the repair.

Payment should be made directly to the engineer/agent who will accept most major Credit or Debit cards or a cheque supported by a banker's card.

To Contact Us

England, Scotland, Wales and Northern Ireland

Mira Showers Customer Services

Telephone: 0870 241 0888, Mon to Fri 8:00 am - 5:30 pm
Sat 8:30 am - 3:30 pm

E-mail: technical@mirashowers.com
Fax: 01242 282595
By Post: Cromwell Road, Cheltenham,
Gloucestershire, GL52 5EP

Eire

Modern Plant Ltd (Dublin)

Telephone: 01 459 1344, Mon to Fri 9:00 am - 5:00 pm
E-mail: sales@modernplant.ie
Fax: Dublin 01 459 2329
Post: Otter House, Naas Road,
Clondalkin, Dublin 22

Modern Plant (Cork)

Telephone: 021 496 8755, Mon to Fri 9:00 am - 5:00 pm
E-mail: cork@modernplant.ie
Fax: 021 496 8607
Post: Tramore Road, Cork



Mira is a registered trade mark of
Kohler Mira Limited.

The company reserves the right to alter
product specifications without notice.

www.mirashowers.com

mira
SHOWERS



FM 14648