

customer/technical services

For any technical or installation queries please contact Vado on 01934 745163.

guarantee

This product is guaranteed against manufacturing defects from the date of purchase until the expiry of the relevant guarantee period shown below.

The guarantee is only valid if:-

1. The product has been installed, used and maintained in accordance with Vado's instructions and subjected to normal use only.
2. The defect is not due to use of an unsuitable or inadequate water or power supply.
3. The defect is not due to accident, misuse, neglect or repair other than by Vado or Vado authorised agents or damage caused by foreign objects or substances.
4. We have received from you the completed Guarantee Registration Form. Vado accepts no responsibility for any forms lost in the post and returns by registered means is therefore recommended.

Under this guarantee (which is non-transferable) Vado will, at its option, repair or replace free of charge any product (or replacement part) found to be defective. The guarantee does not extend to any consequential loss or damage. After repair or replacement the relevant guarantee period will be calculated from the original date of purchase.

The relevant guarantee periods are:-

1. Twelve years on chrome finish products.
2. Three years on all other products with the exception of Stuart Turner Pumps which carry a 2 year Guarantee on Monsoon Range and 1 Year Guarantee on Showermate Range.

All claims under the guarantee must be submitted in writing to the person who supplied the product to you and must be received no later than the last day of the relevant guarantee period. All claims must be accompanied by proof of purchase (sales receipt or delivery note).

Vado operates a policy of continuous product development and therefore reserves the right to change the product, packaging and documentation specifications without notice.

This guarantee is in addition to and does not affect your statutory rights as a consumer.

Vado

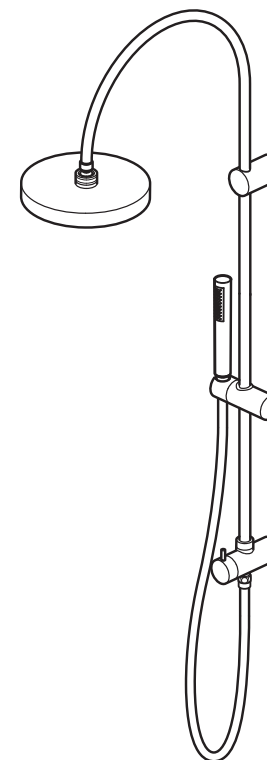
Wedmore Road, Cheddar, Somerset, England BS27 3EB
tel 01934 744466. fax 01934 744345
technical@vado-uk.com
www.vado-uk.com

GUARANTEE REGISTRATION

NAME				
ADDRESS				
	POSTCODE			
RETAILER				
ADDRESS				
	POSTCODE			
PURCHASE DATE	ARTICLE NUMBER	(SEE BOX)		
PRODUCT DESCRIPTION				
WHO INSTALLED THE PRODUCT?	RETAILER	PLUMBER	BUILDER	SELF
FOR VADO USE				



installation & maintenance instructions



wg-rrk/div-148

rigid riser kit with diverter and
integral outlet for use with concealed valves

please leave these instructions with the customer

important - please read

Please read these instructions carefully before starting installation and keep for future reference.

Remove all packaging and check the product for missing parts or damage before starting installation.

Any alterations made to this product and fittings may infringe water regulations and will invalidate the guarantee.

The installation must comply with all Local/National Water Supply Authority Regulations/Byelaws and Building and Plumbing (UK:BS6700) Regulations.

We strongly recommend that you use a qualified and registered plumber.

Installer must comply with current regulations.

care of the mixer

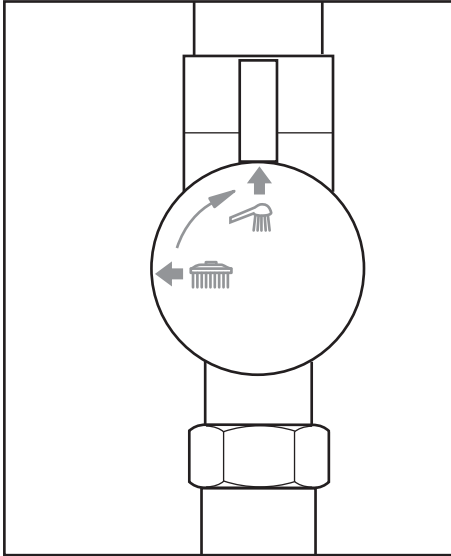
Our products are finished to the highest standard and due care needs to be taken to ensure their looks are retained.

We recommend cleaning all products with a soft damp cloth ONLY and advise strongly against the use of ALL cleaning products i.e. powders and liquids.

If the above instructions are not followed this will invalidate your guarantee in the event of a problem occurring.

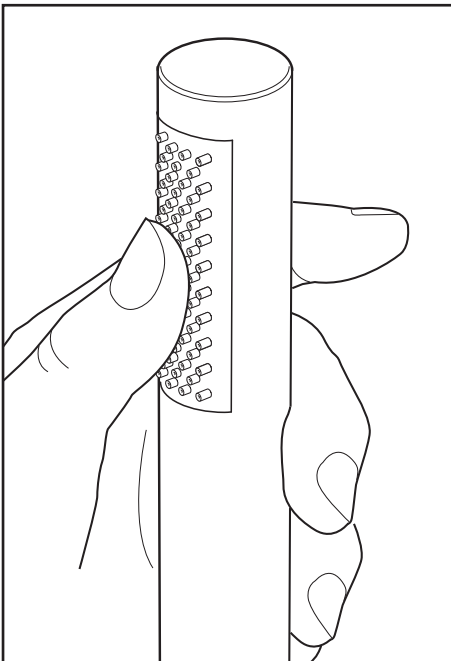
installers/users notes

operation



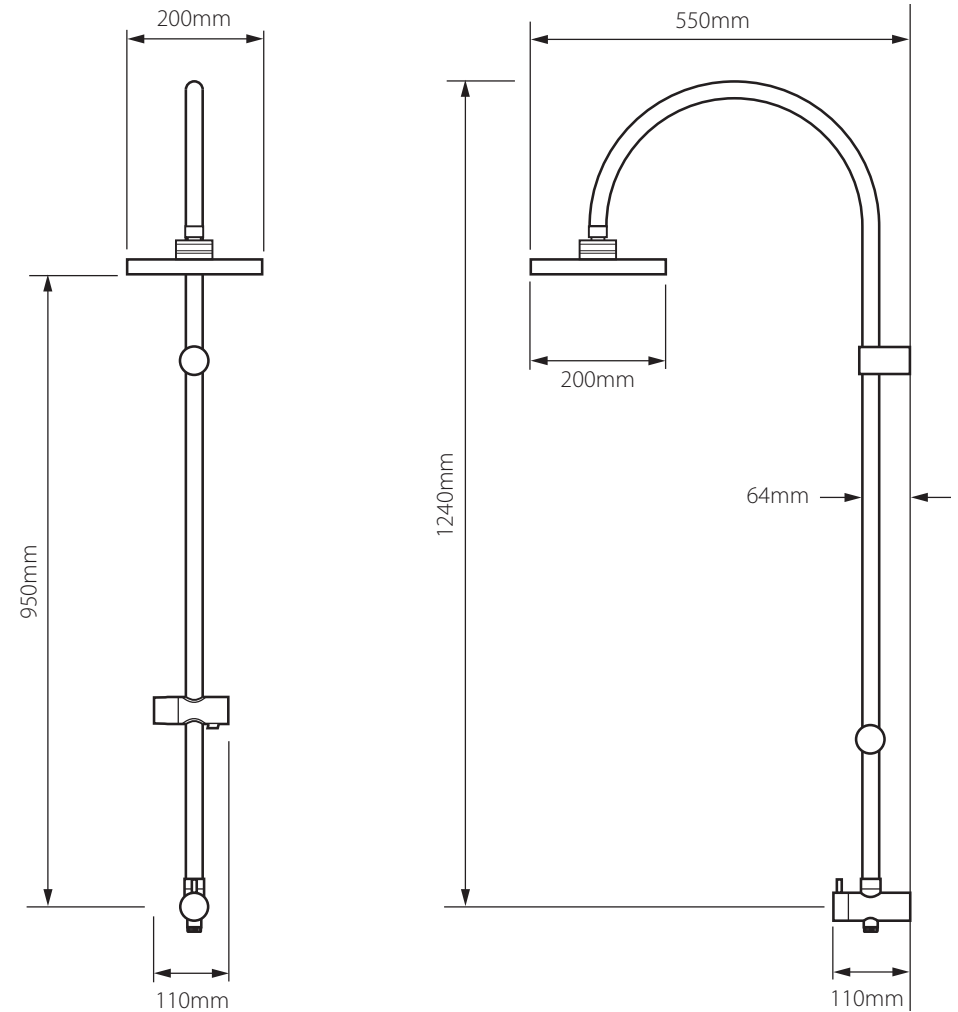
To divert the water from the handset to the riser, turn anti-clockwise.
To divert the water from the riser to the handset, turn clockwise.

maintenance



To remove any build up of limestone on the handset and showerhead, just rub your fingers lightly over the nozzles.

dimensions



Operating Specifications

Hot Water Supply Temperature:

Maximum: 85° C

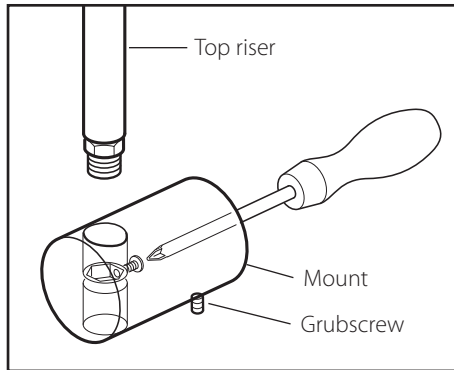
Minimum: 10° C higher than the maximum required mixed temperature (advise 65° C)

Operating Pressure:

Minimum operating pressure 1 bar

Maximum operating pressure 5 bar

installation



⚠ Warning! Please check for any hidden cables and pipes before drilling holes in the wall.

Assemble the top riser to the wall mount. Push the top riser into the mount locating the flats of the nut, make sure that the hoop of the top riser is pointing away from the wall and the grub screw is on the underside of the mount. Tighten the screw within the mount to secure together using a cross head screwdriver.

Screw the riser into the bottom of the mount.

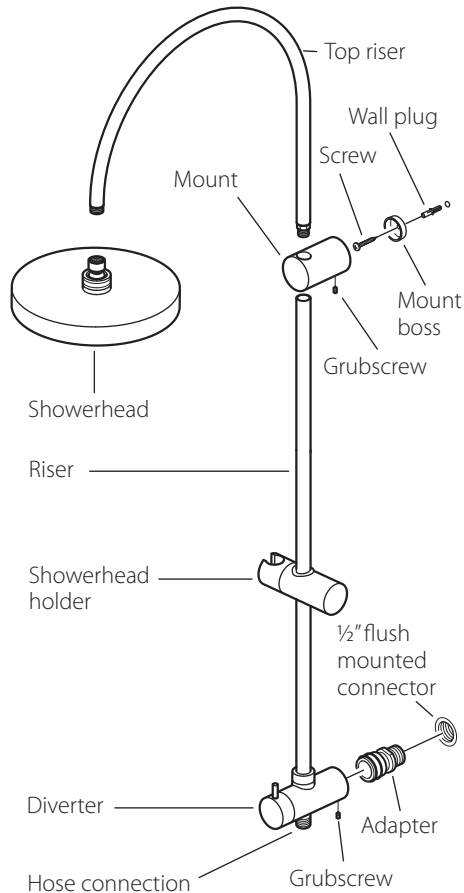
Mark a centre line up the wall, hold the assembly in position and mark a point for the riser mount and a point for the diverter, bearing in mind the different heights of people using the shower.

Using a 6mm drill bit for the wall plug, drill the wall at the top marked position and fix the mount boss in position using the supplied wall plug and screw.

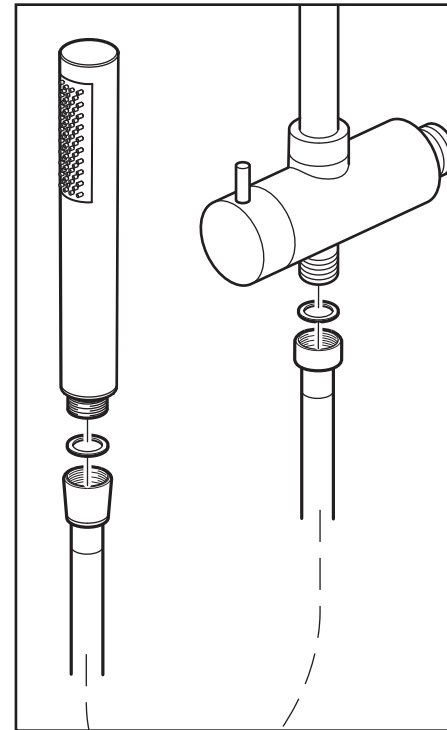
Prepare the wall for the diverter using a flush $\frac{1}{2}$ " connector. This should be connected to the shower valve. Using PTFE tape screw the adapter into the connector and tighten.

Take the riser rail assembly and push the mount onto the boss and the diverter onto the adapter and secure using both hexagonal grub screws.

Finally screw the showerhead onto the top riser.



installation



Showerhead

Place one of the rubber washers into the cone end of the hose and screw to the handset.

Place the second rubber washer into the other end of the hose and attach it to the diverter.