

AFTERCARE INSTRUCTIONS

Your Bristan bathroom accessories have a high quality finish and should be treated with care to preserve the visible surfaces. All surface finishes will wear if not cleaned correctly, the only safe way to clean your accessory is to wipe with a soft damp cloth. Stains can be removed using washing up liquid. All bath cleaning products will damage the surface of your fitting - even non-scratch cleaners.

GUARANTEE

All products are manufactured to the highest standards and a 5 year guarantee covers any defect in manufacture. As gold and special effect finishes are softer than chromium plate, special care must be taken when cleaning; a 3 year guarantee covers these finishes.

In the interests of continuous product development we reserve the right to alter specification as necessary.

PRODUCT CODE:

TELEPHONE HELPLINE: 0844 7016273

A Masco Group Company
Birch Coppice Business Park
Dordon
Tamworth
Staffordshire
B79 1SG
UK

Telephone: 0844 7016274
Facsimile: 0844 7016275

Solo Bathroom Accessories

Fitting Instructions

Please keep these instructions for future reference

Congratulations on purchasing the Solo Bathroom Accessories. You are now the owner of a high quality product, manufactured to exacting standards. Fitting your accessories is easy when you follow these instructions. Please identify all components and check for completeness, particularly before arranging fitting.

Single backplate fitting

1. Establish the position for the accessory and mark out the fixing holes. (Fig. 1)
2. Drill holes to suit, and insert wall plugs if required.
3. Screw the fixing plate to the wall, with the back flat to the wall. (Fig. 2)
4. Loosen off the grub screw (but do not remove) and place the accessory over the fixing plate with the grub screw at the bottom.
5. Tighten up the grub screw until the pillar is secure against the wall.

Double backplate fitting

1. Establish the position for the accessory and mark out the fixing holes; see figure 1 & 5 for the guide centre distance for the fixing plates. We recommend that the centre distance of the accessory assembly is checked prior to drilling.
2. Drill holes to suit and insert wall plugs if required.
3. Screw the fixing plates to the wall, with the back flat to the wall. (Fig. 2)
4. Loosen off the pillar grub screws, but do not remove.

Towel Rail

5. Fit the towel rail to the end pillars and place them over the fixing plate with the grub screws at the bottom.
6. Tighten the grub screws until the pillars are secure against the wall.
7. Fit shelf into the brackets and secure in position by tightening the plastic grub screws in the pillars.

Shelf

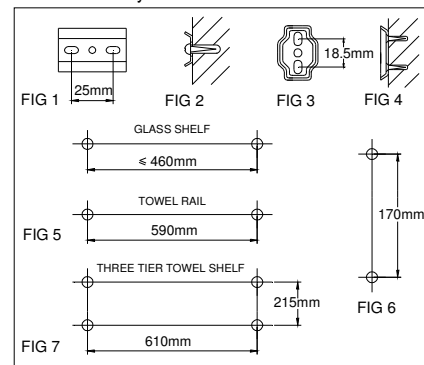
6. Fit shelf into the brackets and secure in position by tightening the plastic grub screws in the pillars.
7. Check shelf for security.

Extending Mirror

1. Establish the position for the mirror and mark out the fixing holes; see figure 3 & 6 for the guide centre distance for the fixing plates.
2. Drill holes to suit and insert rawl plugs if required.
3. Screw the fixing plates to the wall, with the back flat to the wall. (Fig. 4)
4. Loosen off the wall bracket grub screws but do not remove.
5. Place the wall bracket over the fixing plates with grub screws at the bottom.
6. Tighten the grub screws until the wall bracket is secure against the wall.
7. Screw mirror down onto extending bracket and check for security.

Three Tier Towel Shelf

1. Establish the position for the accessory and mark out the fixing holes; see fig. 7 for distance between holes.
2. Assemble shelf using the fixings and hexagon key provided with the largest tier at top, smallest at bottom (ensure backplate is fitted into cover plate before fitting tiers). Then check the position of the marked holes with shelf the assembly prior to drilling.
3. Drill holes and insert wall plugs if required.
4. Screw shelf assembly to the wall and insert screw-covering caps.
5. Check shelf for security.



NOTE: All dimensions on figures 5 and 6 refer to the pillar centers. Guide dimensions only. All centers should be measured and checked prior to drilling.