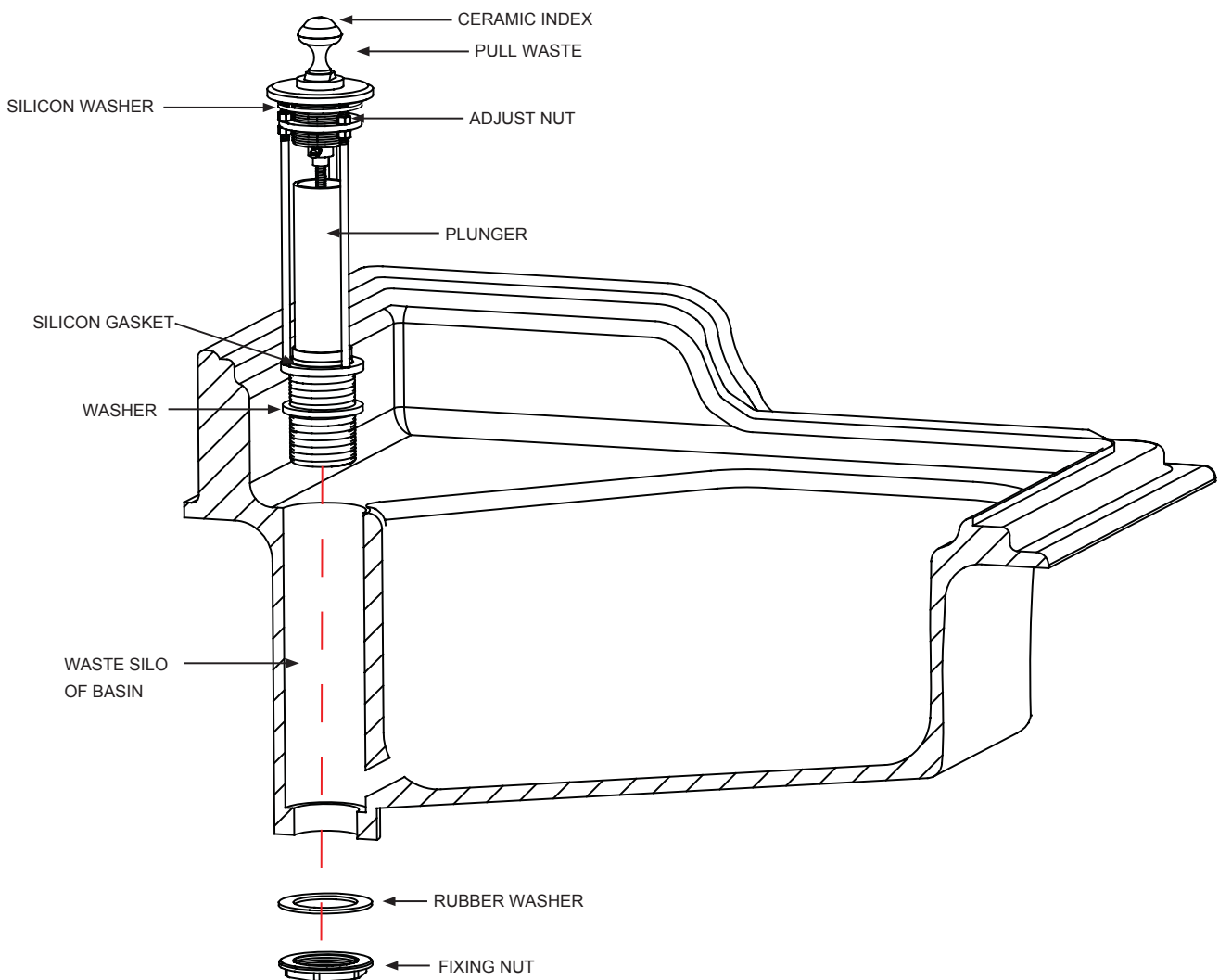


INSTALLATION INSTRUCTIONS

Classic basin invisible overflow & waste - W9

Important

- We recommend that this product is installed by a qualified professional contractor. Such as a plumber who is certified by NVQ (National Vocational Qualification) or SNVQ (Scottish National Vocational Qualification) Level 3
- Please check this product immediately to ensure that it has not been damaged and is complete. Before installation, please make sure this product is the correct model and you have all the parts required for installation and using.
- Turn off water supply before commencing work, this should be done at the isolating valves of inlet feeds if fitted or main stopcock.
- Please read these instructions carefully and keep it for future reference.

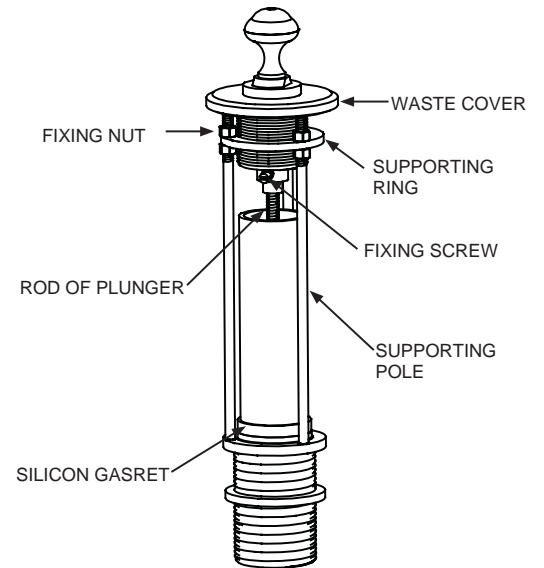


Installation

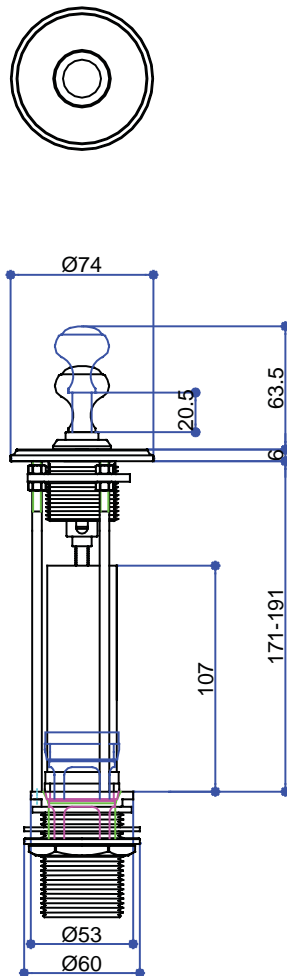
1. Before install the waste, please make sure the waste and plunger are assembled; silicon gasket on plunger can seal the waste very well only by gravity.
2. Remove the fixing nut and rubber washer from the tail of waste.
3. Fit the silicon washer into the groove on the underside of waste cover.
4. Slide the whole waste unit into the waste silo of basin.
5. From underside of basin, tighten fixing nut and rubber washer using sealant where necessary.
6. Ensure that whilst installing the waste unit, the top ceramic index is facing the correct direction.
7. The overflow for basin already in build into the waste unit.

Adjustment

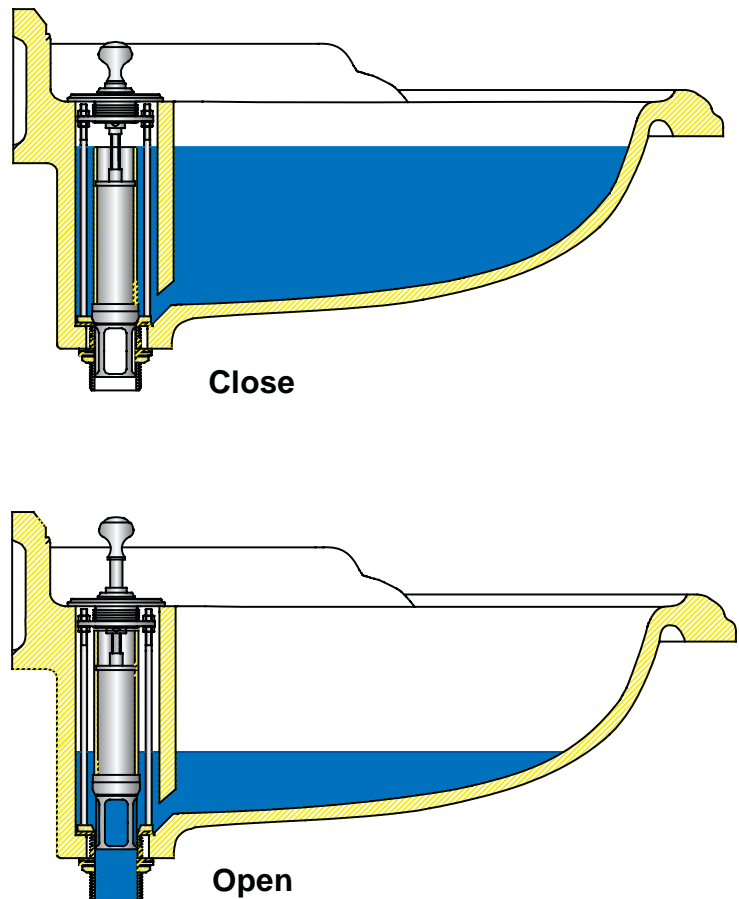
1. In case, the size of basin waste hole aren't suitable for waste.
You need adjust the height of both plunger and waste to fit the hole.
2. First, to adjust the height of waste.
 - A) Loosen the 6 fixing nuts on three supporting poles ;
 - B) Loosen the waste cover from the supporting ring ;
 - C) Screw on or off the 6 fixing nut to modify the height of supporting ring ;
 - D) Tighten the 6 fixing nuts again when finish the adjustment ;
 - E) Screw on the waste cover again and tighten it on the support ring.
3. To adjust the height of plunger:
 - A) Loosen the fixing screw on the rod of plunger;
 - B) Screw on or off the adjustable shaft to modify the height;
 - C) Tighten the fixing screw again when finish the adjustment.
4. After adjustment, please make sure silicon gasket on plunger can seal the waste very well by gravity.



Dimension



Operation



To operate the waste lift and turn to open ,lift and turn to close.

Maintenance

We do NOT recommend you use any household cleaners to clean the product. Because these cleaners change substance or formula too frequently. The product should be always cleaned only with soapy water and rinsed with clean water and dried with a soft cloth.