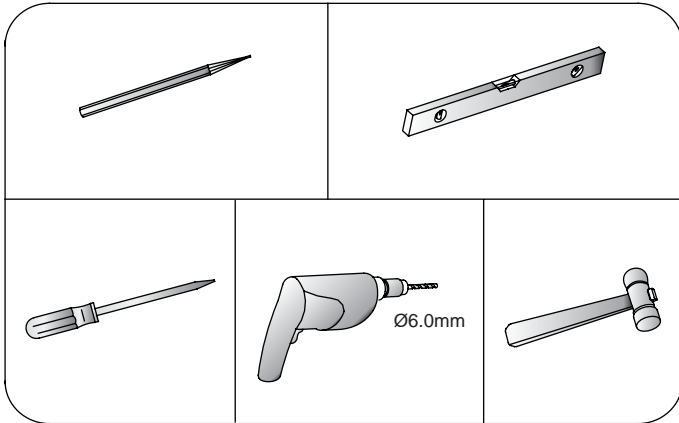
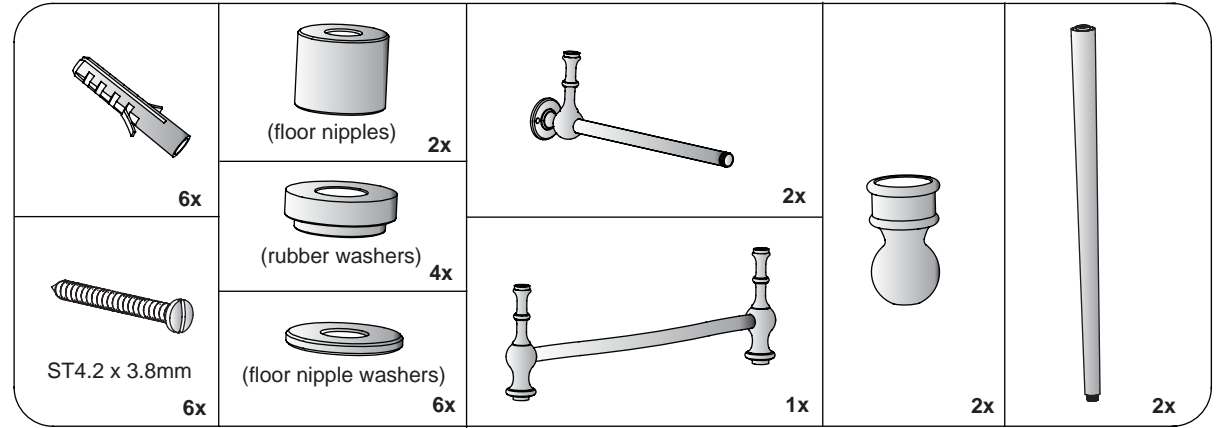


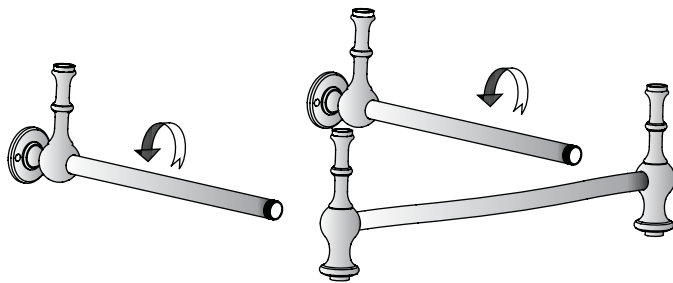
Tools required:



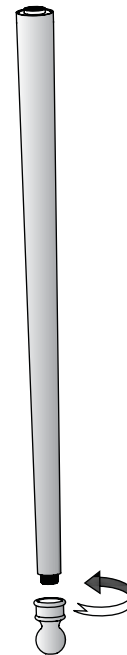
Parts supplied:



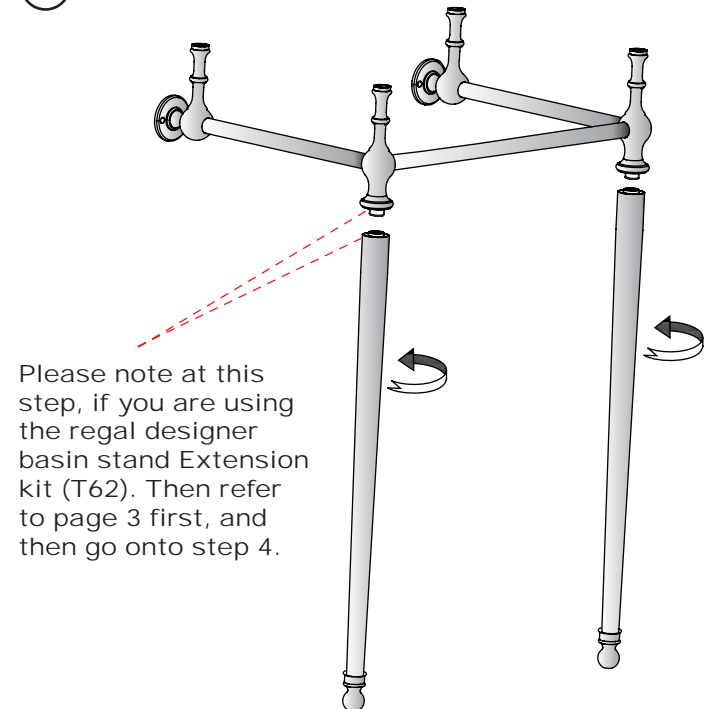
1 Attach the two horizontal rails to the front rail.



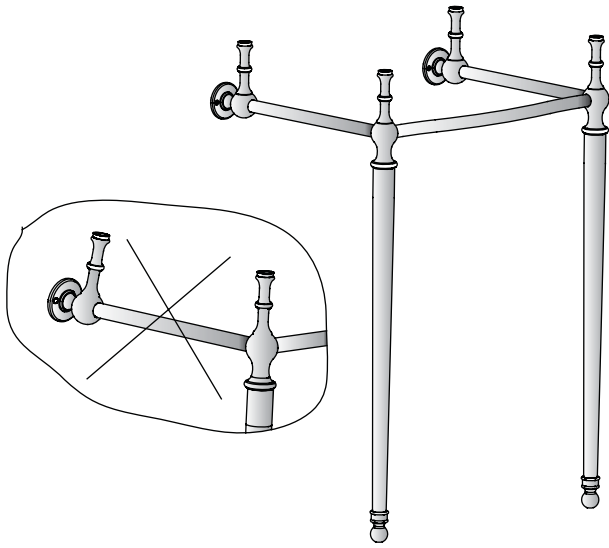
2



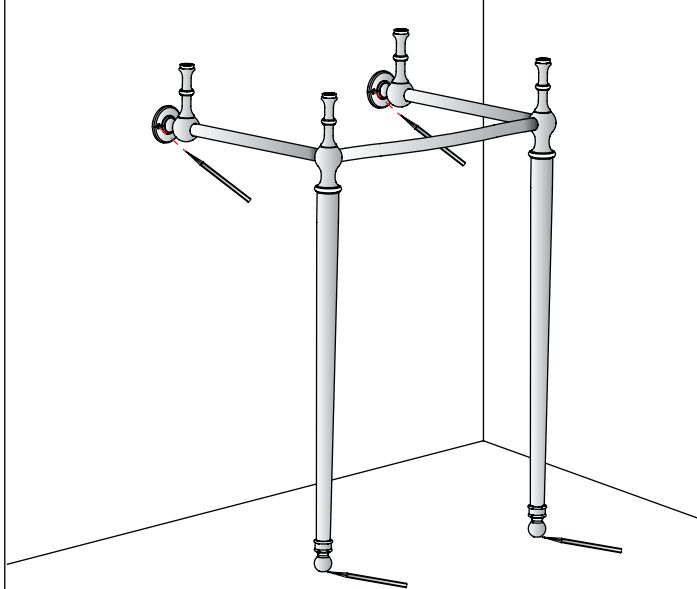
3 Screw the legs into the rail.



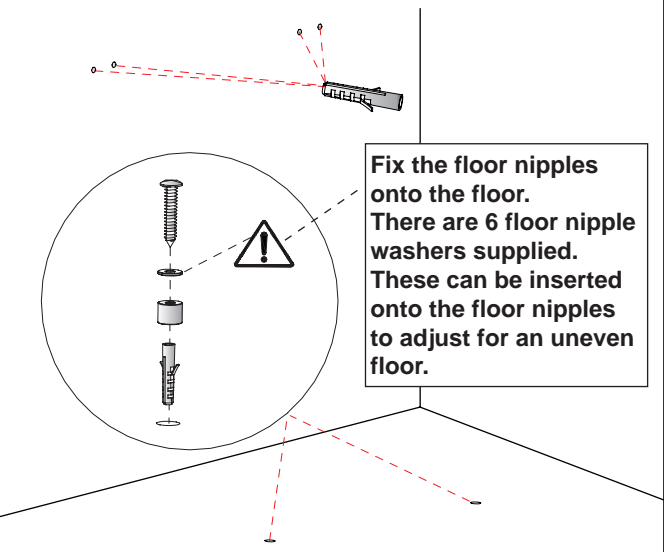
- 4** Check that the horizontal bracket bar is vertical using a spirit level.



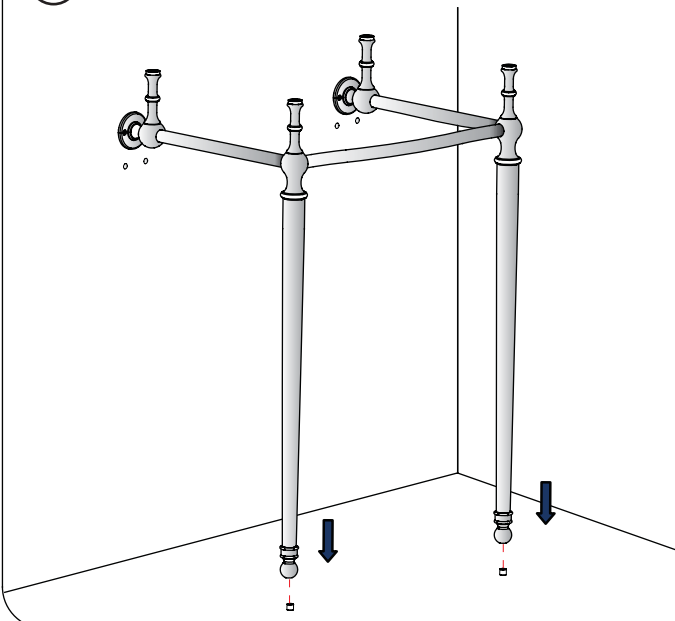
- 5** Determine the final installation position and mark the 4 wall and two floor fixing hole positions in pencil.



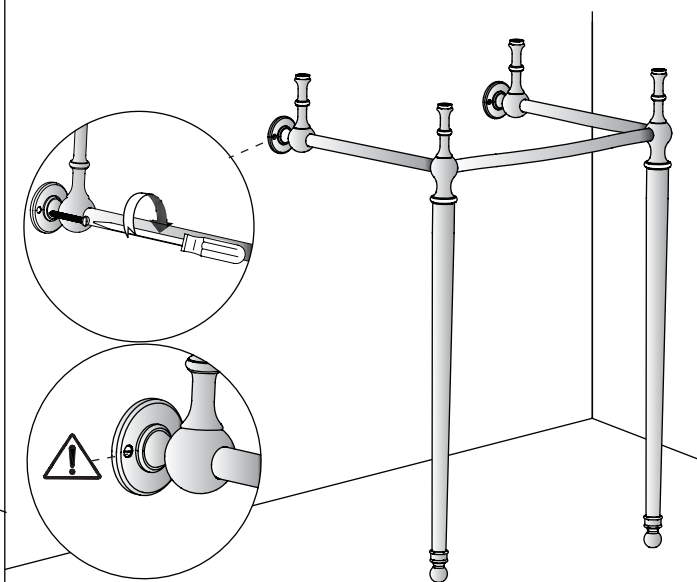
- 6** Using a 6mm drill bit drill the six holes on the marked positions (note: In the event that the wall / floor fixings supplied being inappropriate for the wall / floor, please source alternatives).



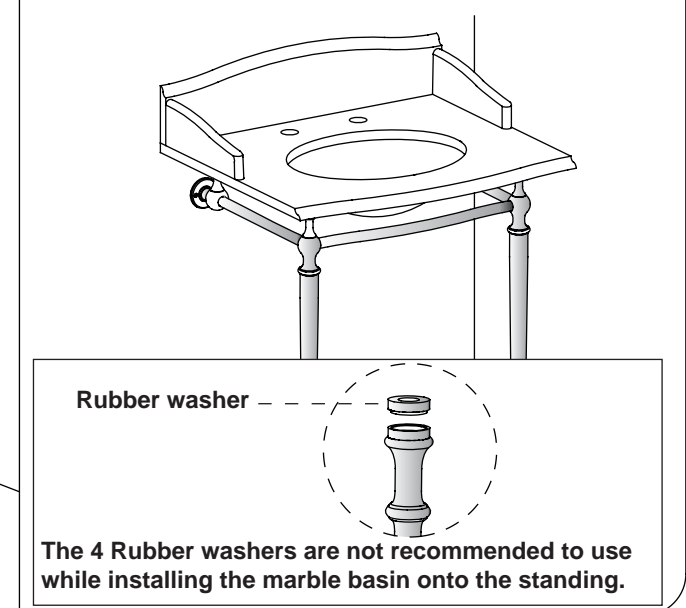
- 7** Fit the two legs over the floor nipples.



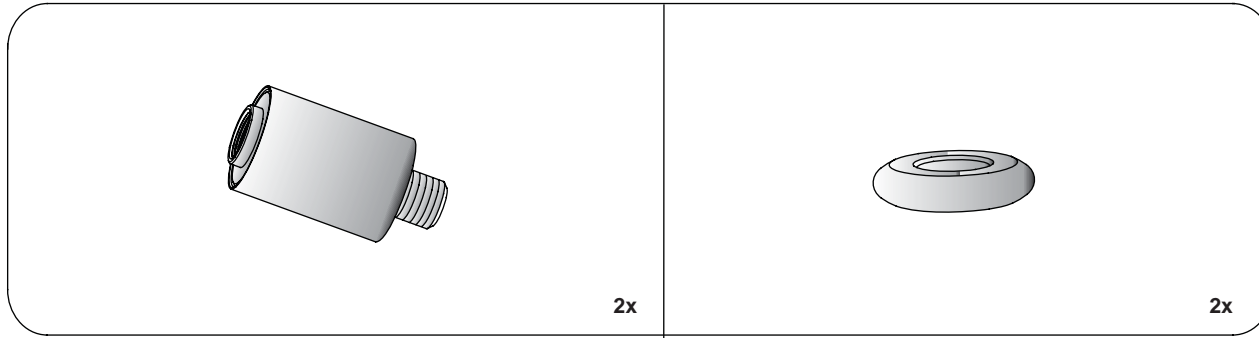
- 8** Fix each of the two brackets onto the wall using the 4 screws provided. Ensure that the screw heads are parallel to the floor.



- 9** Please refer to the BASIN INSTALLATION INSTRUCTION for the basin installation.



Parts supplied:



Please refer to the basin stand instruction for the more detail basin stand installation.

