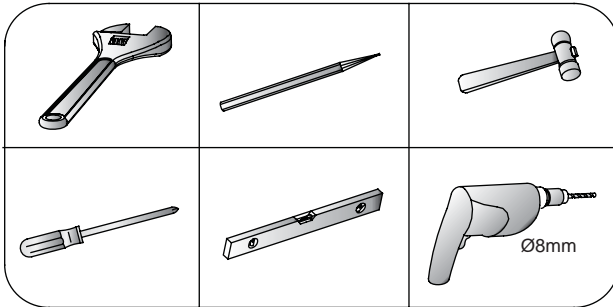
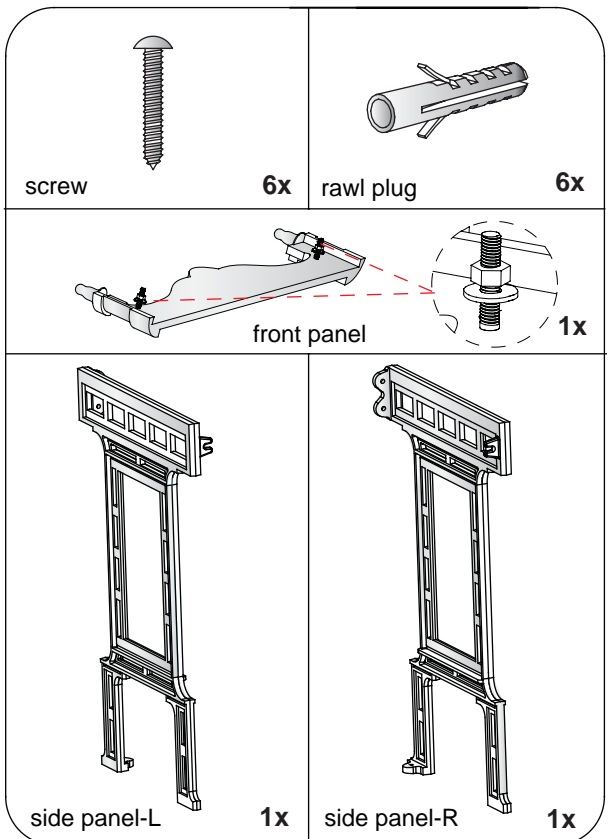


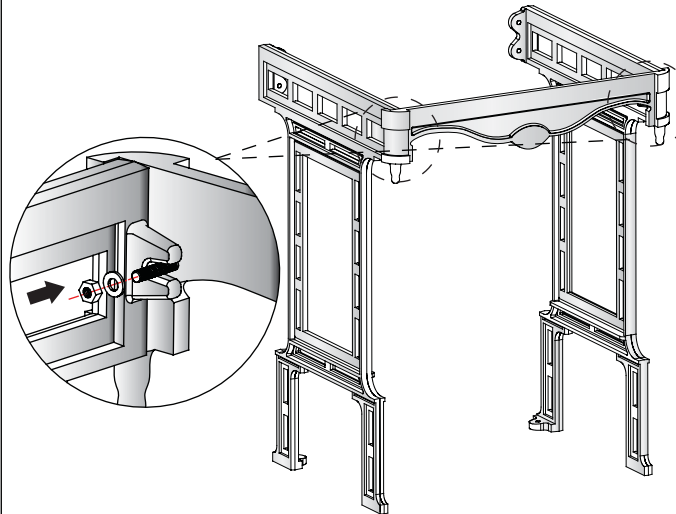
**Tools required:**



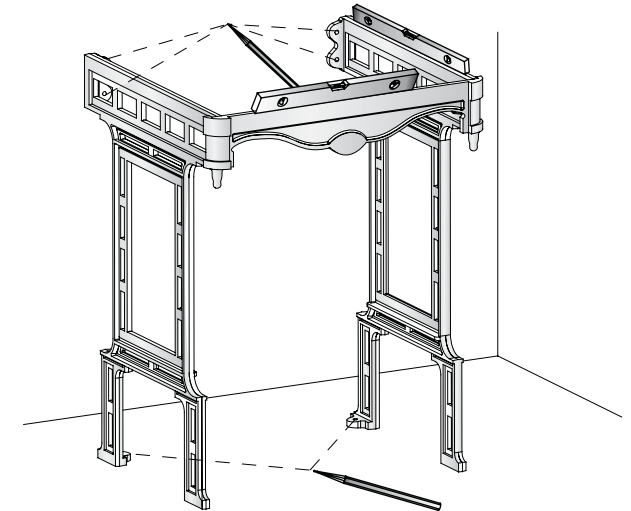
**Parts supplied:**



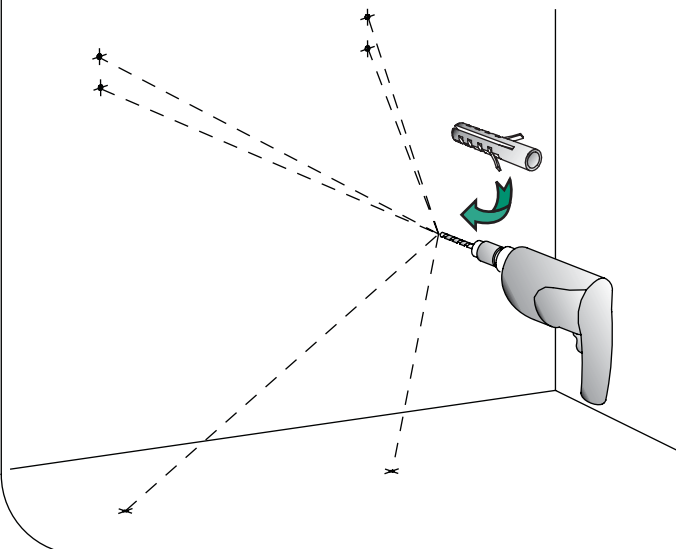
**1** Assemble the front panel and the side panels together as the diagram below. Tighten the nut with a spanner.



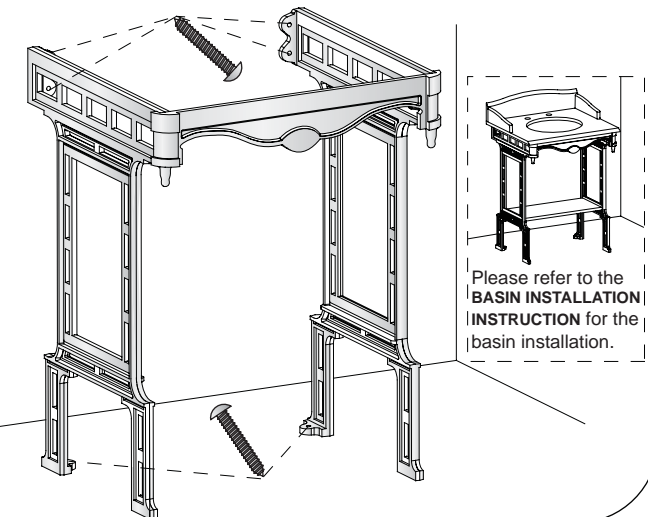
**2** Determine the final installation position. Ensure the basin stand is level, mark the fixing holes position onto the wall and floor in pencil.



**3** Using a Ø8mm drill bit, drill holes on the marked positions. Insert the rawl plugs into the drilled holes.



**4** Screw in the screws to secure the basin stand to the wall and the floor.  
 (note: In the event that the wall / floor fixings supplied being inappropriate for the wall / floor, please source alternatives).



Please refer to the **BASIN INSTALLATION INSTRUCTION** for the basin installation.