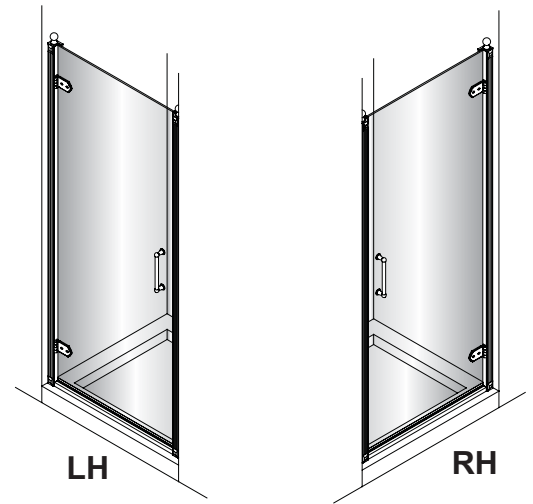


Burlington[®]
Yesterday's designs TODAY'S TECHNOLOGY

Hinged Door 760 - C19

Hinged Door 800 - C20

Hinged Door 900 - C21

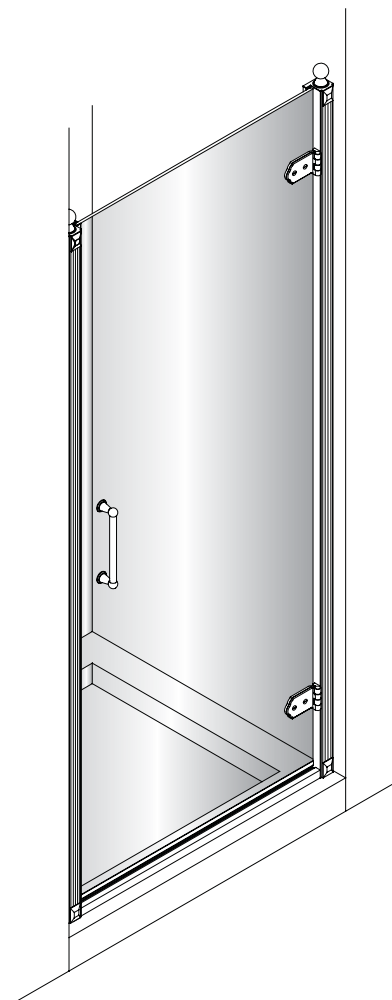


Before Installation:

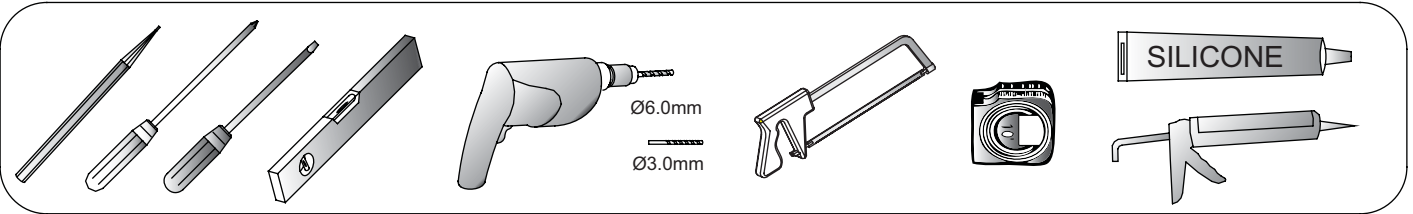
- Check the contents of the pack carefully before installation.
- The tray **MUST** be installed level and fully sealed to the tiles.
- Handle with care. Impacts can damage both the glass and the frame.
- Check for any hidden pipes or cables before drilling holes in the wall.
- The enclosure is reversible: " door can be either left or right opening. "
In the remainder of this manual the illustrations will only show the right hand installation of the hinged door.
The parts marked "LH" or " RH" would be only suitable for the relative shower enclosure.
- The wall fixings supplied may not be suitable for your installation. You may need to source alternatives depending on the construction of the wall you are fixing to.
- Follow each step in turn.

Care and Cleaning:

- Do not use solvents or abrasive material or chemicals to clean the enclosure.
- Only clean using soapy water and a soft cloth, rinse thoroughly afterwards.

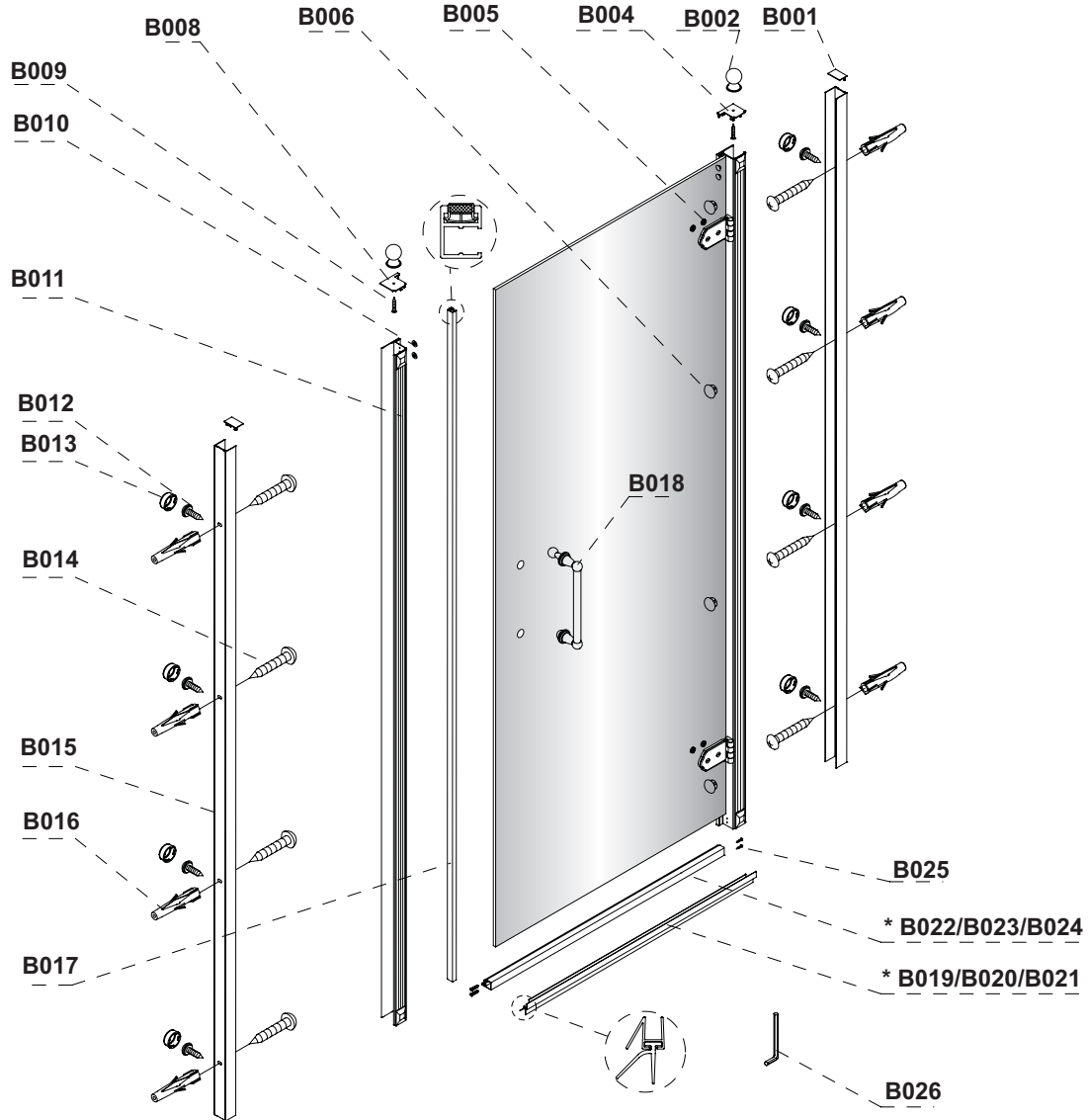


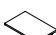



















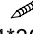

Tools required:



Parts supplied:

Hinged Door



B001  2x	B002  2x	B003  1x LH	B004  1x RH	B005  4x	B006  4x
B007  1x LH	B008  1x RH	B009  2x ST3.5*16mm	B010  4x	B011  1x	B012  8x ST3.5*10mm
B013  8x	B014  8x ST4*50mm	B015  2x	B016  8x	B017  1x	B018  1x
* B019/B020/B021  1x - B019 is for 760 Hinged door - B020 is for 800 Hinged door - B021 is for 900 Hinged door	* B022/B023/B024  1x - B022 is for 760 Hinged door - B023 is for 800 Hinged door - B024 is for 900 Hinged door		B025  4x ST4*30mm	B026  1x 4mm	

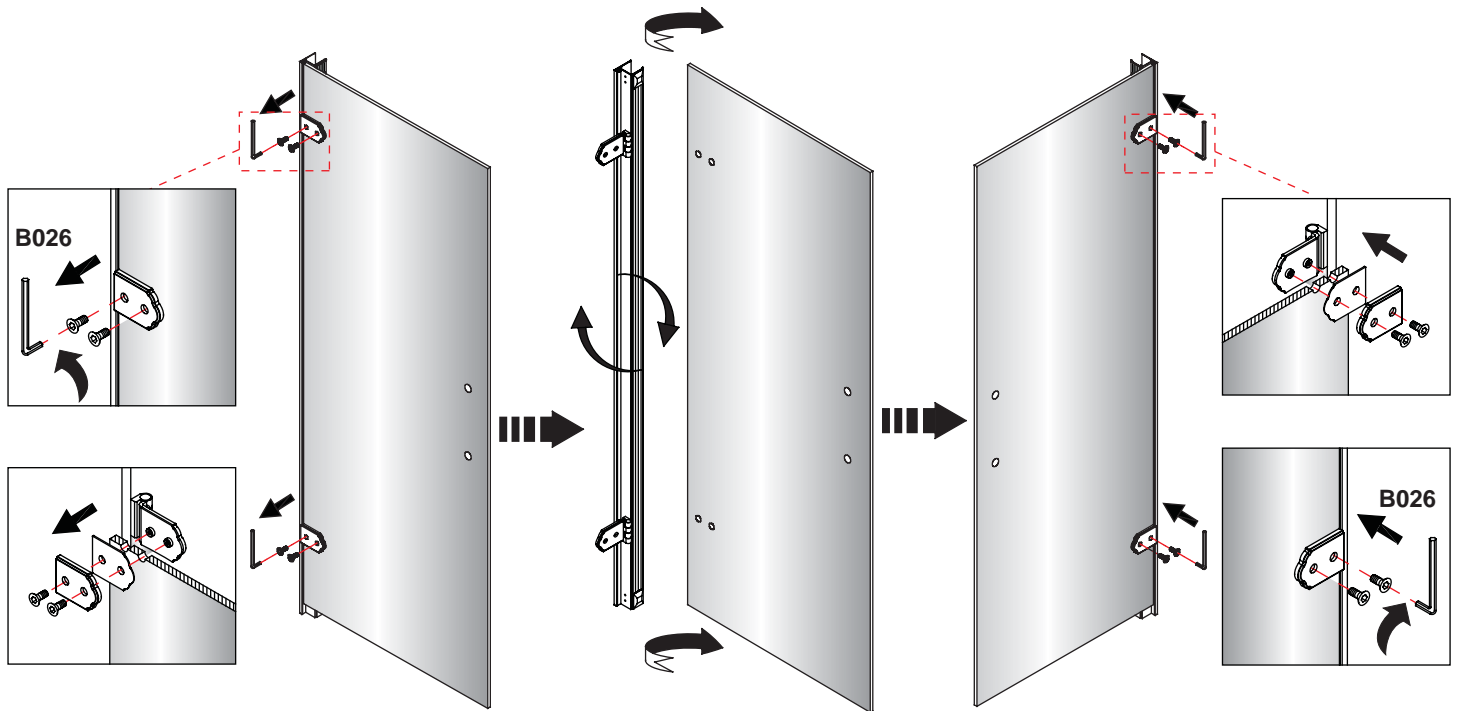


The hinged door is supplied for Right Handed installation. For Left Handed installation please loosen the hinges and reverse the glass as shown below.

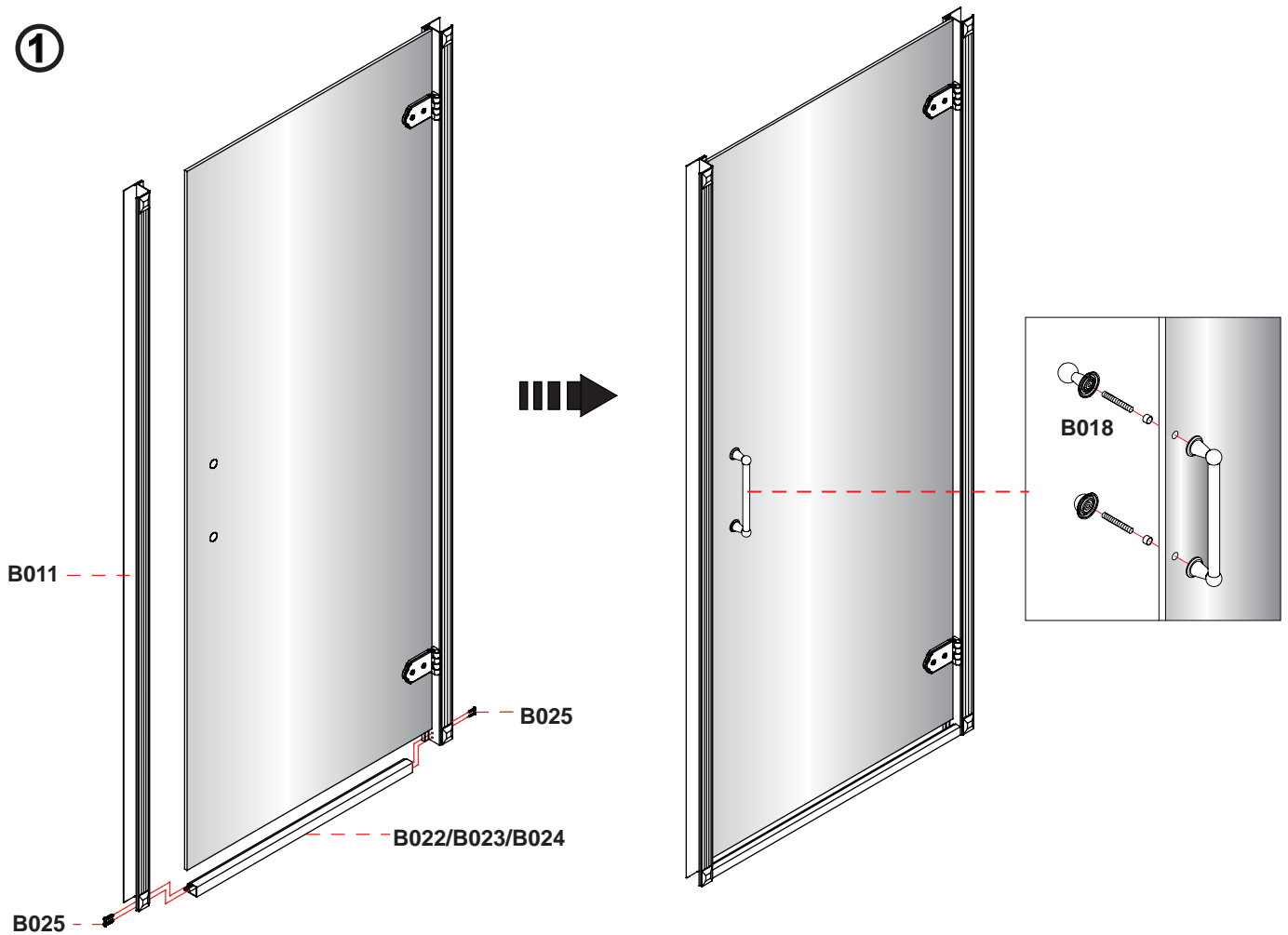
Right Hand



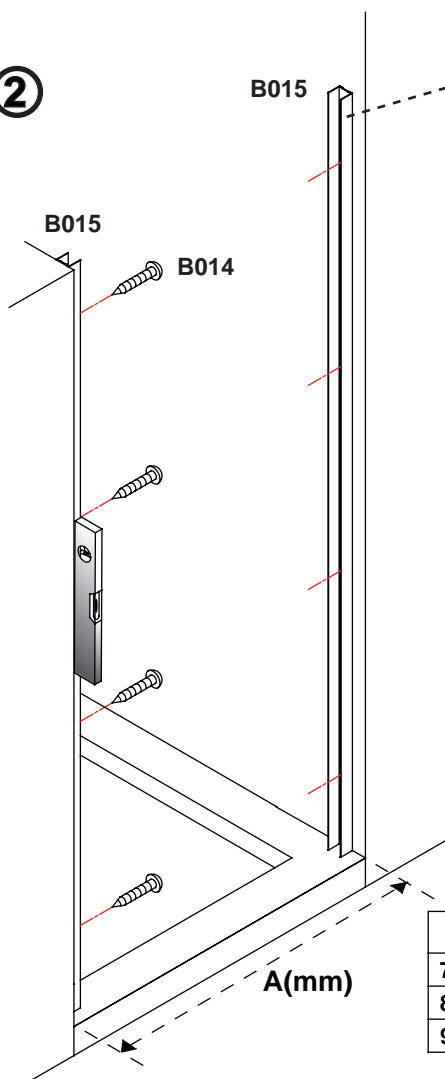
Left Hand



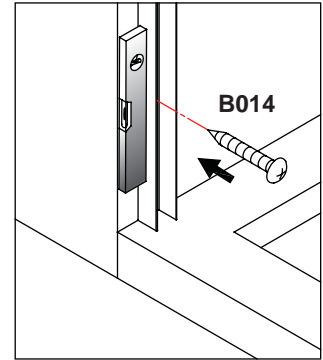
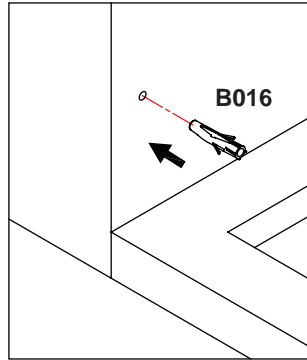
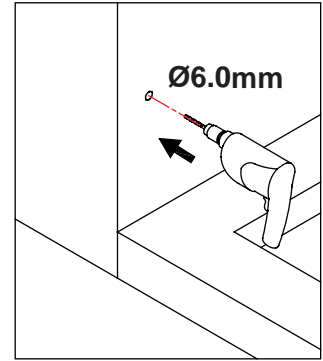
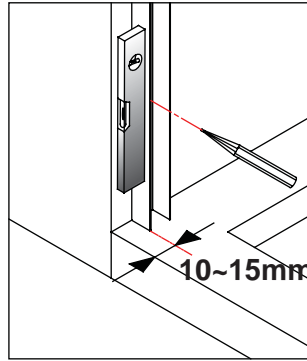
①



②

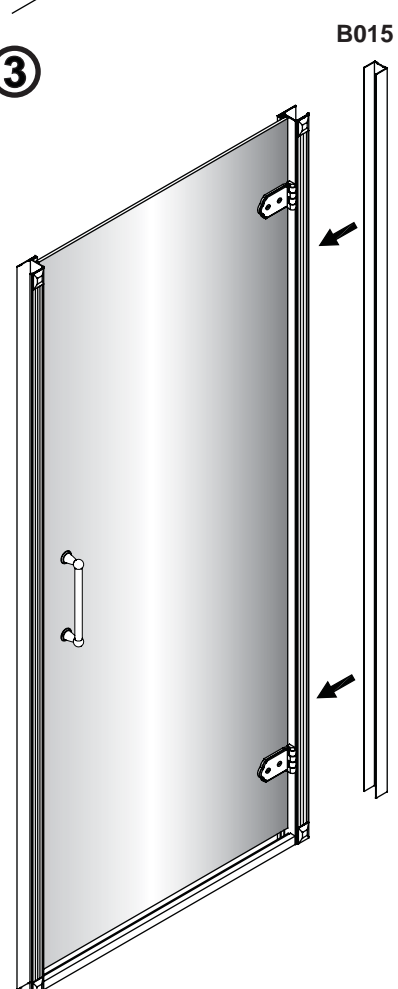


At this step the wall profile on the hinged side should not be fixed to the wall, and should be done at step 5.

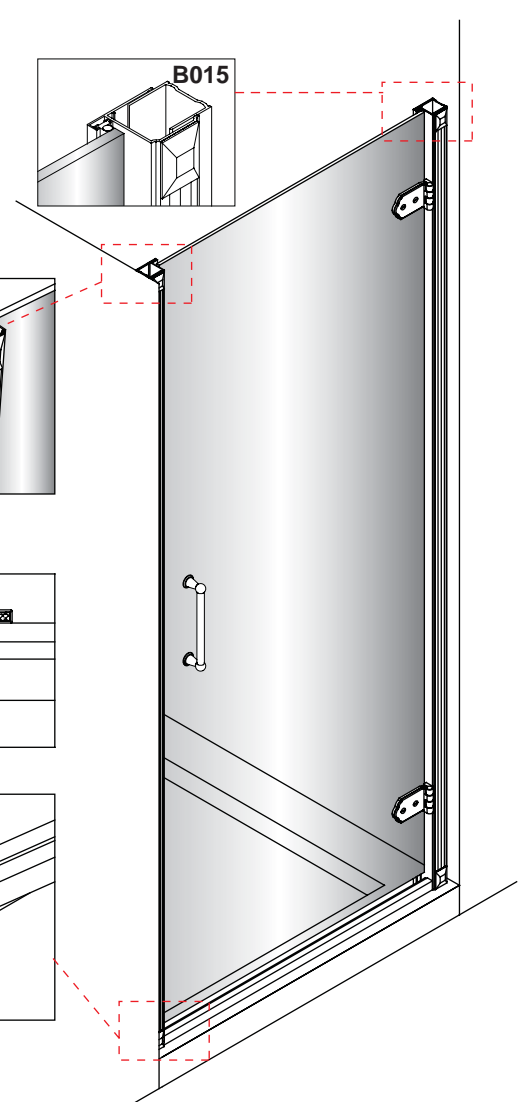
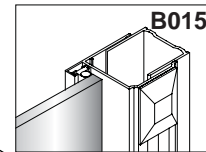
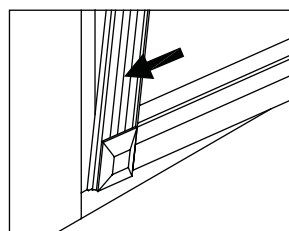
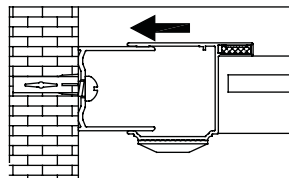
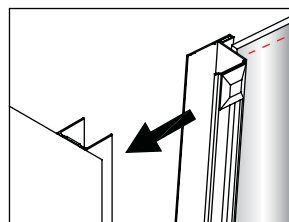


Item	A (mm)
760 Hinged door	720 ~ 760
800 Hinged door	760 ~ 800
900 Hinged door	860 ~ 900

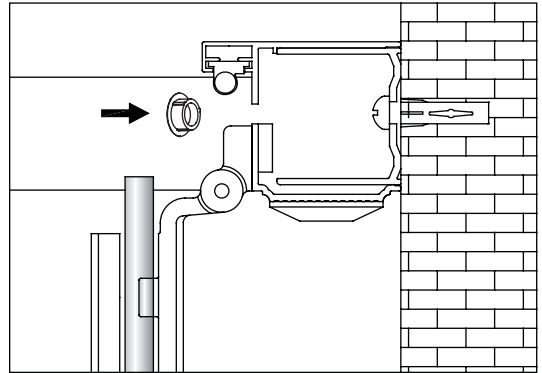
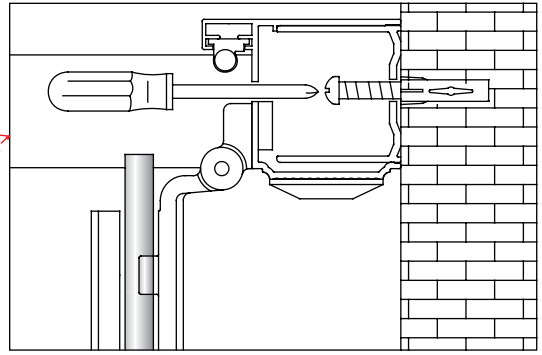
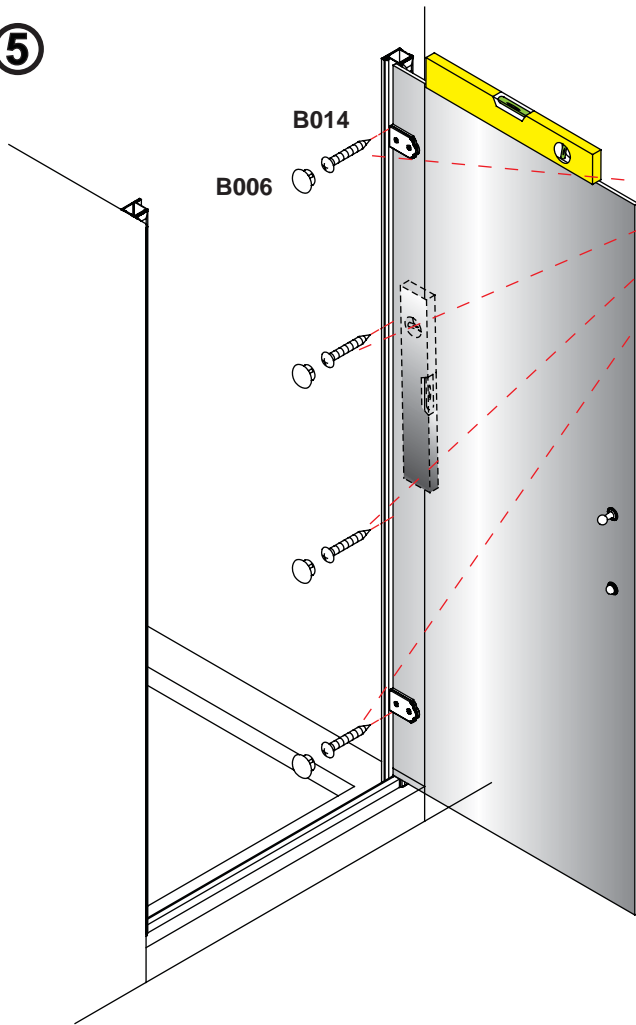
③



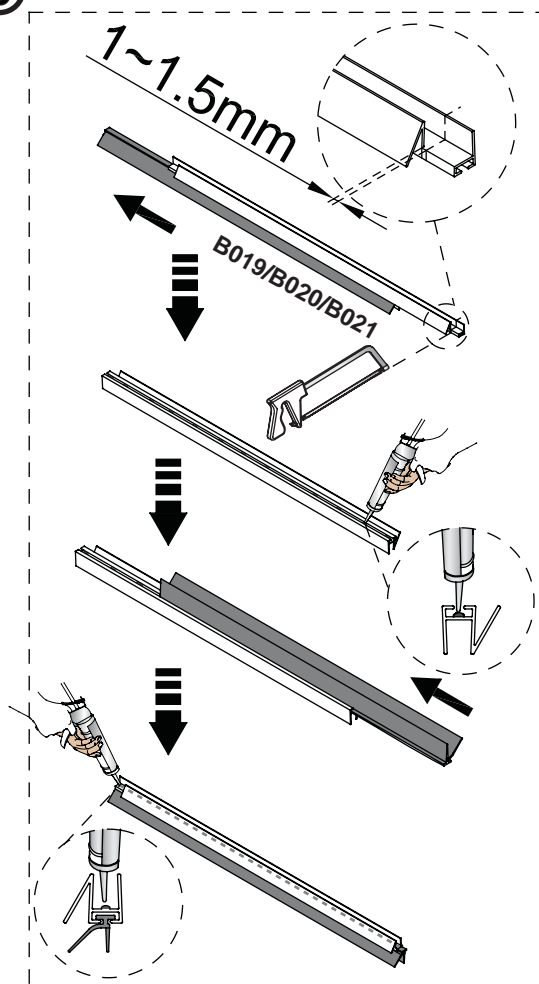
④



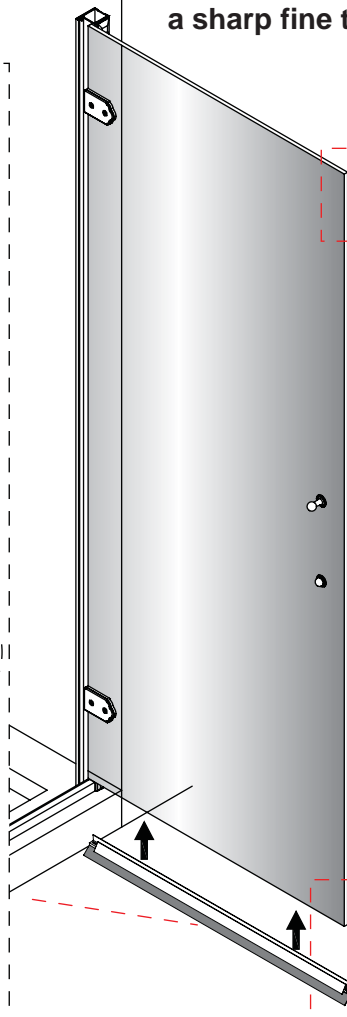
5



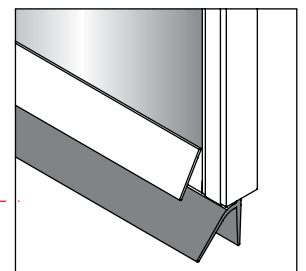
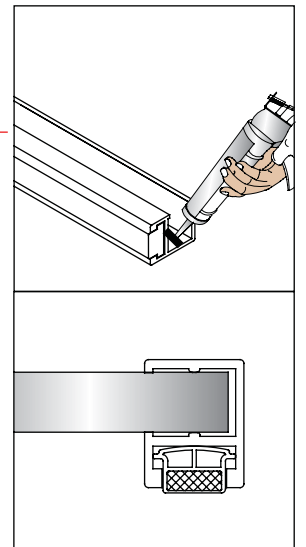
6



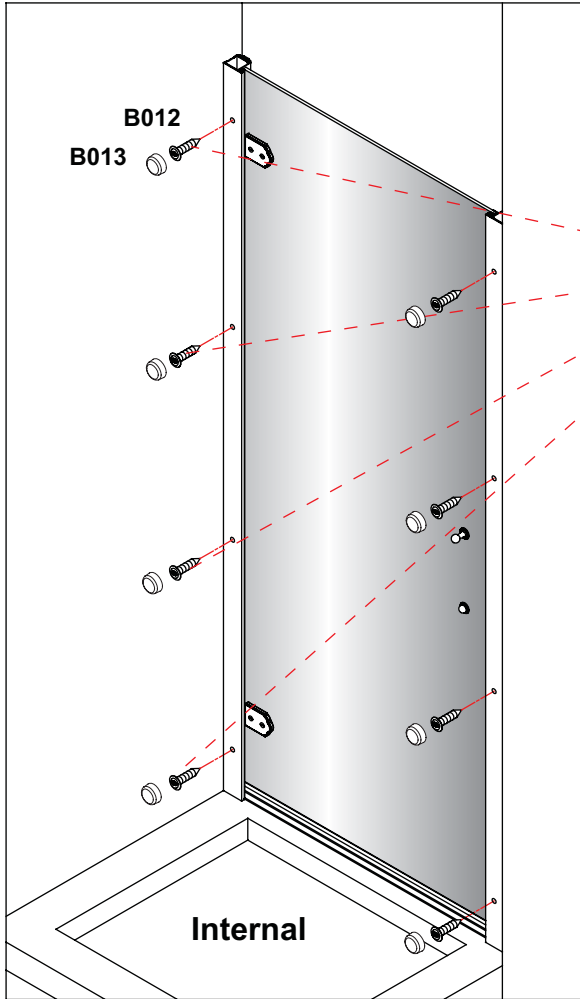
* Please note when cutting parts B019/B20/B21 a sharp fine tooth hacksaw should be used.



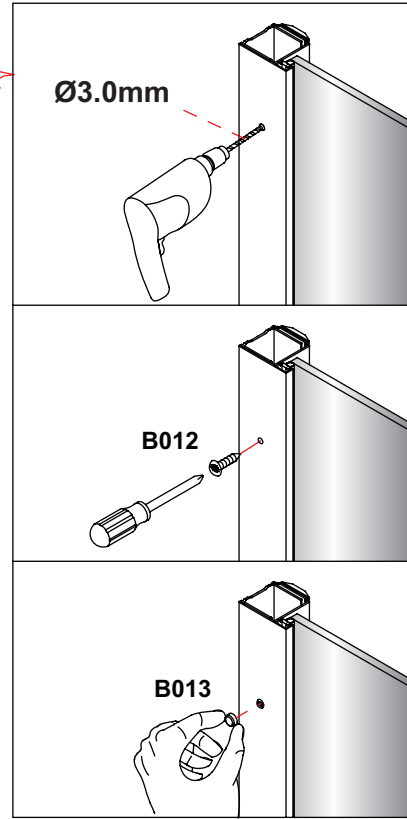
B017



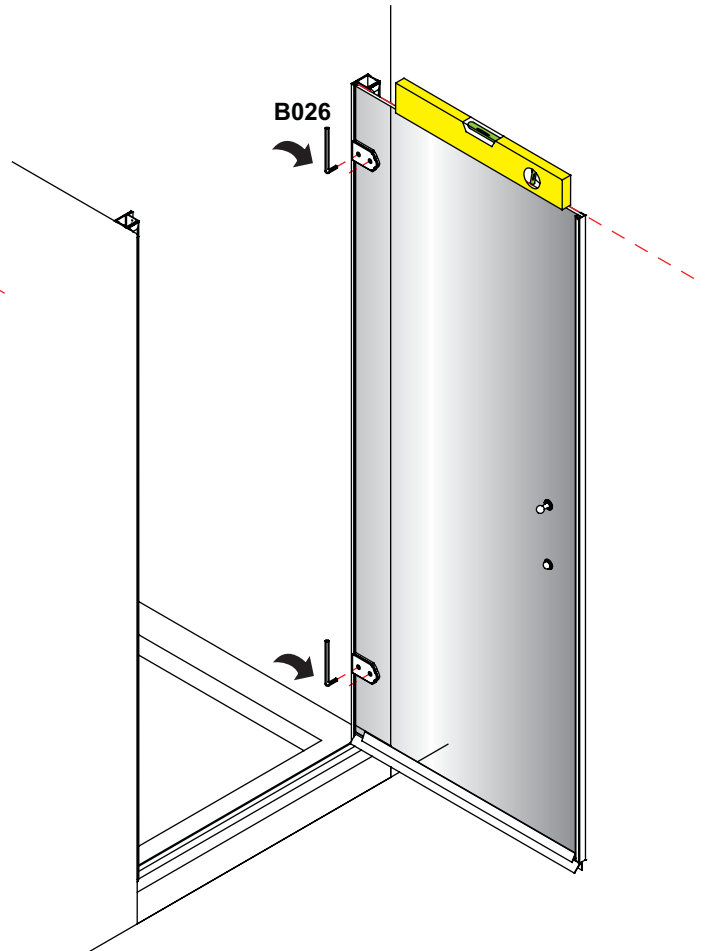
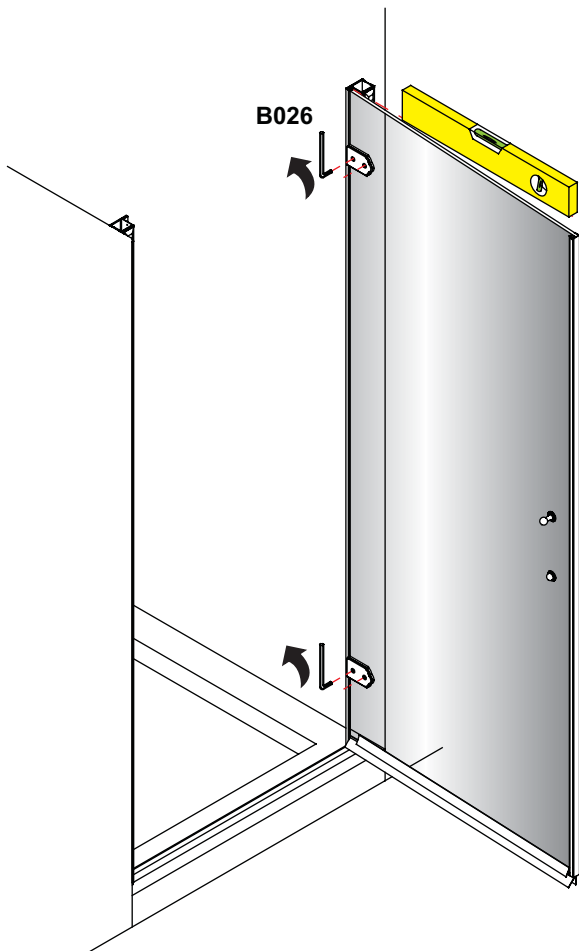
7



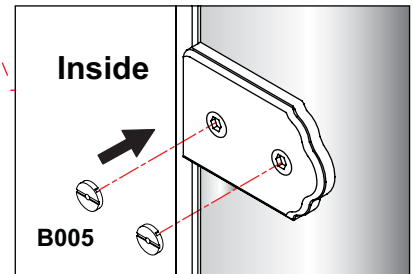
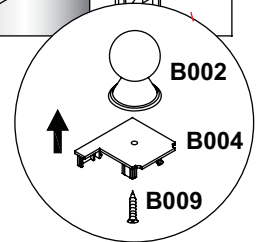
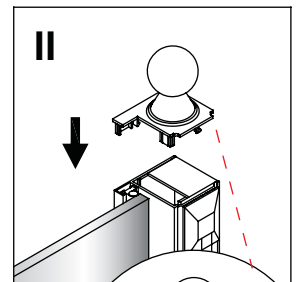
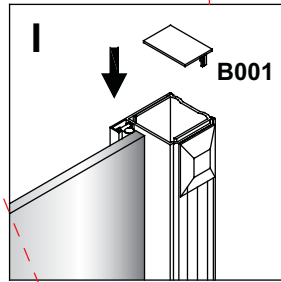
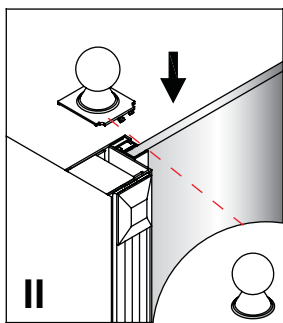
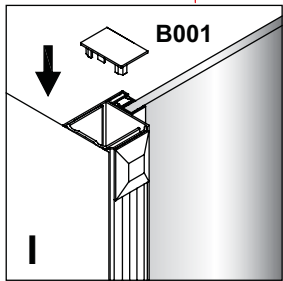
Once you have checked that the door opens and closes correctly, fix the door to the wall channels.



Only if adjustment is required.



8



9

