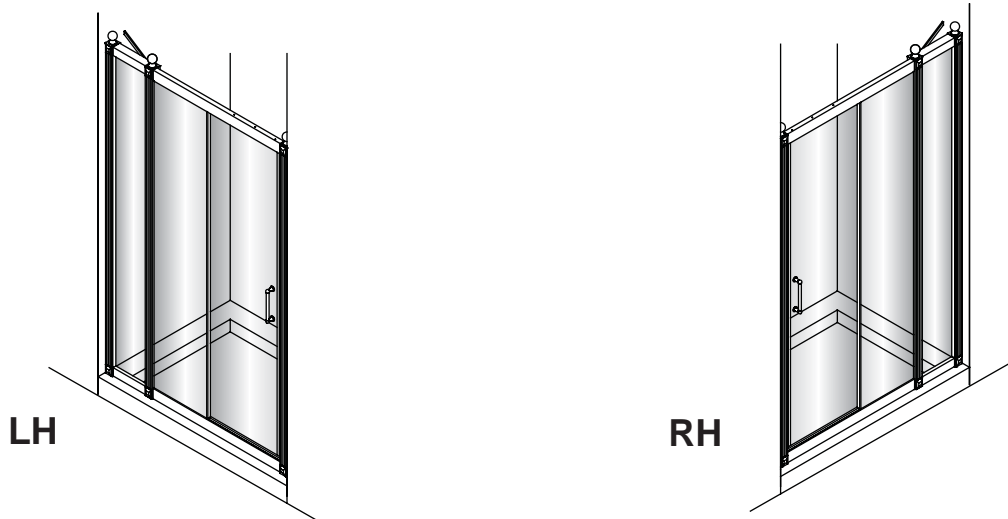


- PLEASE USE THESE INSTRUCTIONS FOR SLIDING DOOR & INLINE PANEL, OR SLIDING DOOR, INLINE PANEL & SIDE PANEL INSTALLATION.
- Check the contents of the pack carefully before installation.
- The tray MUST be installed level and fully sealed to the tiles.
- Handle with care. Impacts can damage both the glass and the frame.
- Check for any hidden pipes or cables before drilling holes in the wall.
- The enclosure is reversible: " door can be either left or right opening. "  
 In the remainder of this manual the illustrations will only show the right hand installation.  
 The parts marked "LH" or "RH" would be only suitable for the relative shower enclosure.
- The wall fixings supplied may not be suitable for your installation. You may need to source alternatives depending on the construction of the wall you are fixing to.

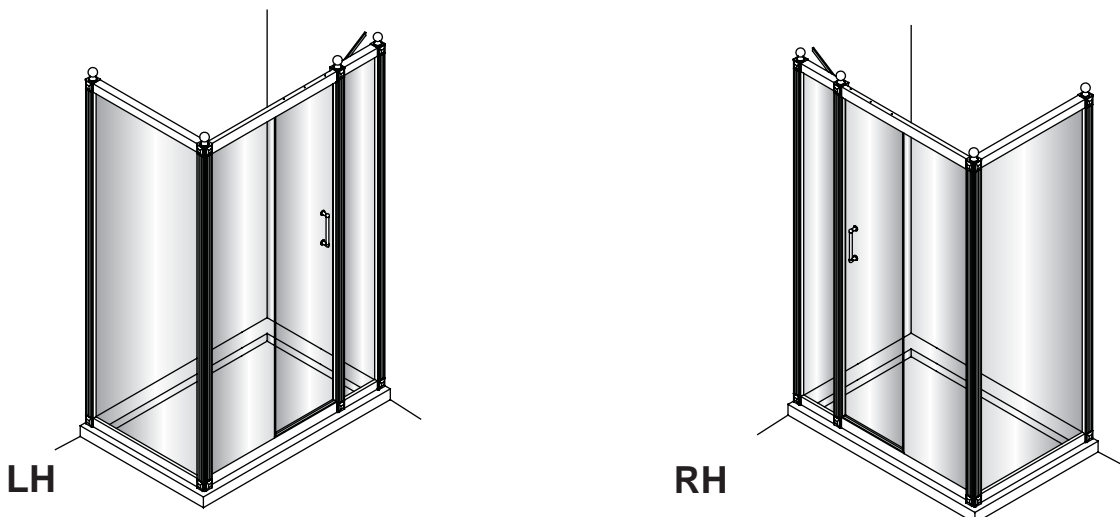
**Care and Cleaning:**

- Do not use solvents or abrasive material or chemicals to clean the enclosure.
- Only clean using soapy water and a soft cloth, rinse thoroughly afterwards.

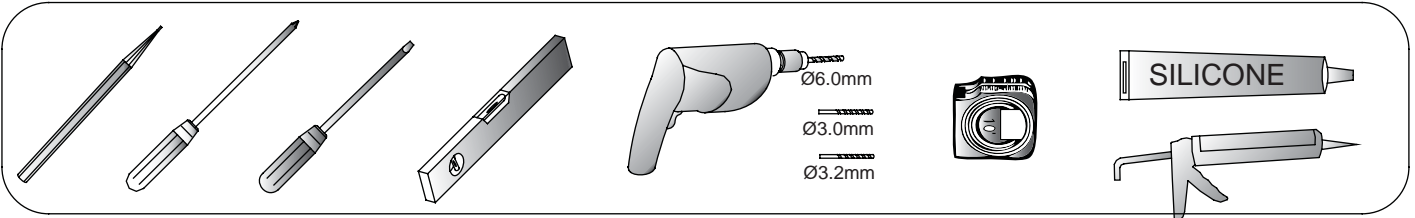
**Sliding Door and Inline Panel (Pages 5 - 9)**



**Sliding Door and Inline Panel with Side Panel (Pages 10 - 14)**

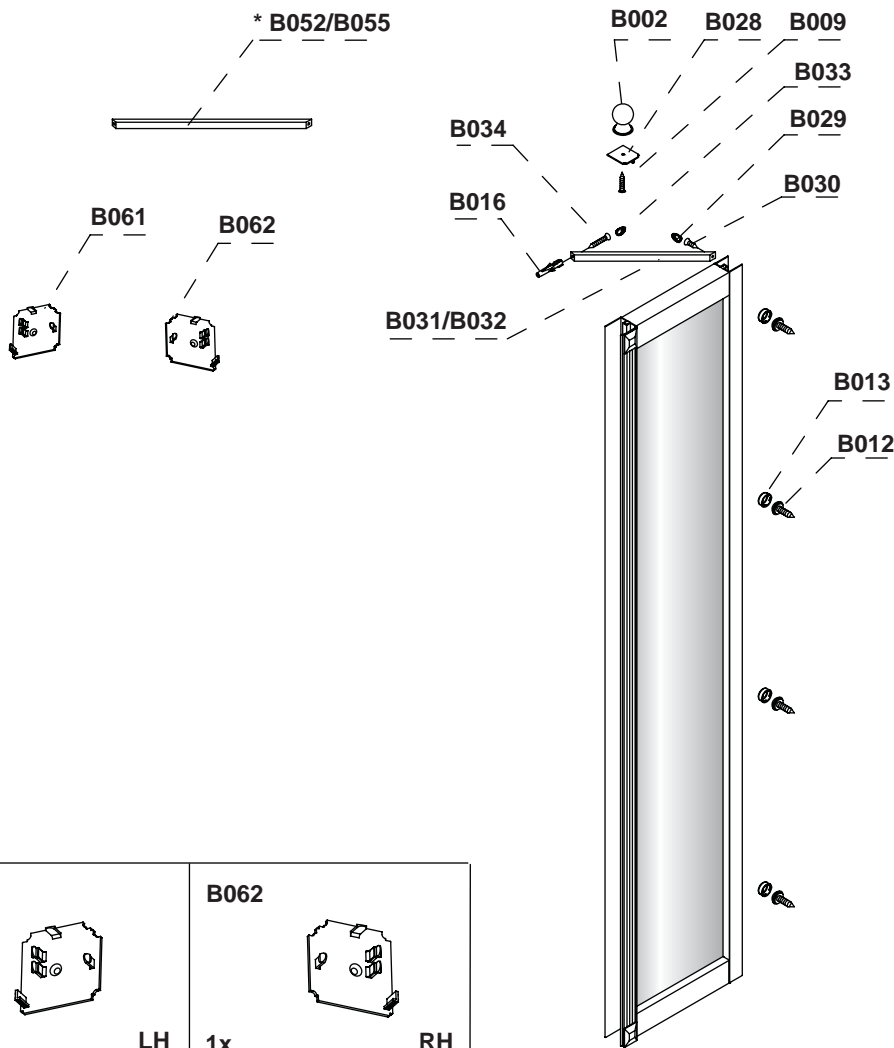


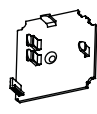
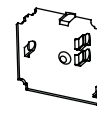











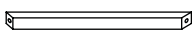
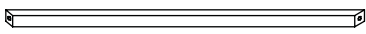
**Tools required:**



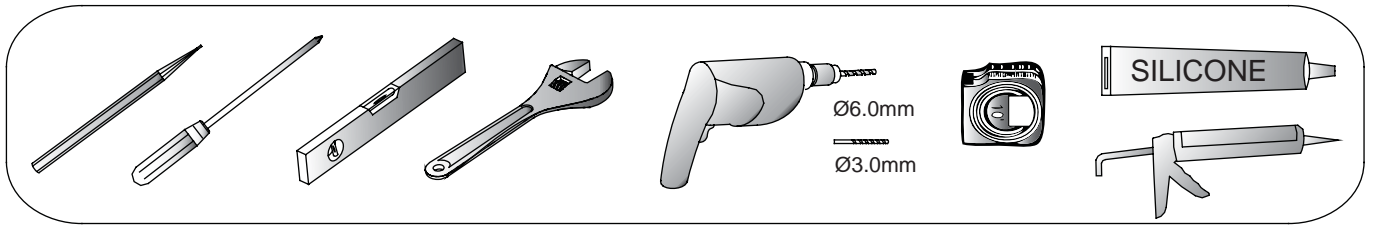
**Parts supplied:**

**Inline Panel Box - C15/C16**



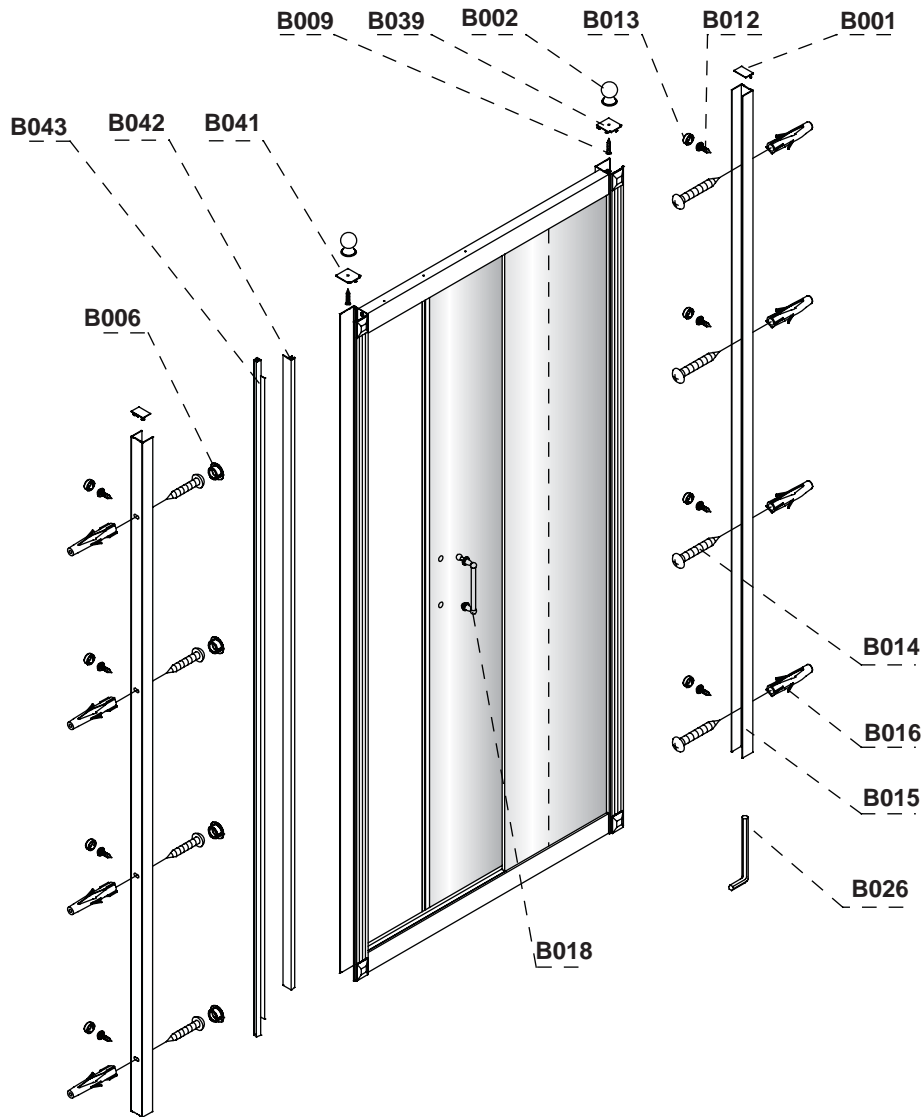
<p><b>B061</b></p>  <p>1x LH</p>	<p><b>B062</b></p>  <p>1x RH</p>			
<p><b>B002</b></p>  <p>1x</p>	<p><b>B027</b></p>  <p>1x</p>	<p><b>B028</b></p>  <p>1x</p>	<p><b>B009</b></p>  <p>1x ST3.5*16mm</p>	<p><b>B034</b></p>  <p>1x ST4*35mm</p>
<p><b>B033</b></p>  <p>1x</p>	<p><b>B030</b></p>  <p>1x ST4*25mm</p>	<p><b>B029</b></p>  <p>1x</p>	<p><b>B016</b></p>  <p>1x</p>	<p><b>B012</b></p>  <p>4x ST3.5*10mm</p>
<p><b>B013</b></p>  <p>4x</p>	<p><b>B031/B032</b></p>  <p>1x</p> <p>- B031 is for 200 Inline panel - B032 is for 300 Inline panel</p>		<p><b>* B052/B055</b></p>  <p>1x</p> <p>- B052 is for 200 Inline panel - B055 is for 300 Inline panel</p>	

**Tools required:**



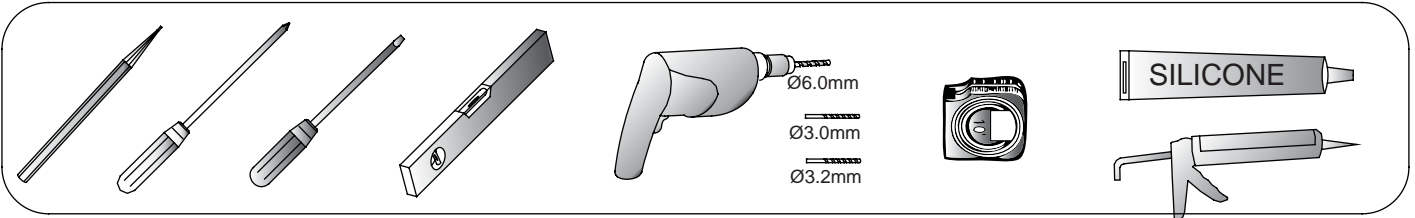
**Parts supplied:**

**Sliding Door - C6/C7/C8**



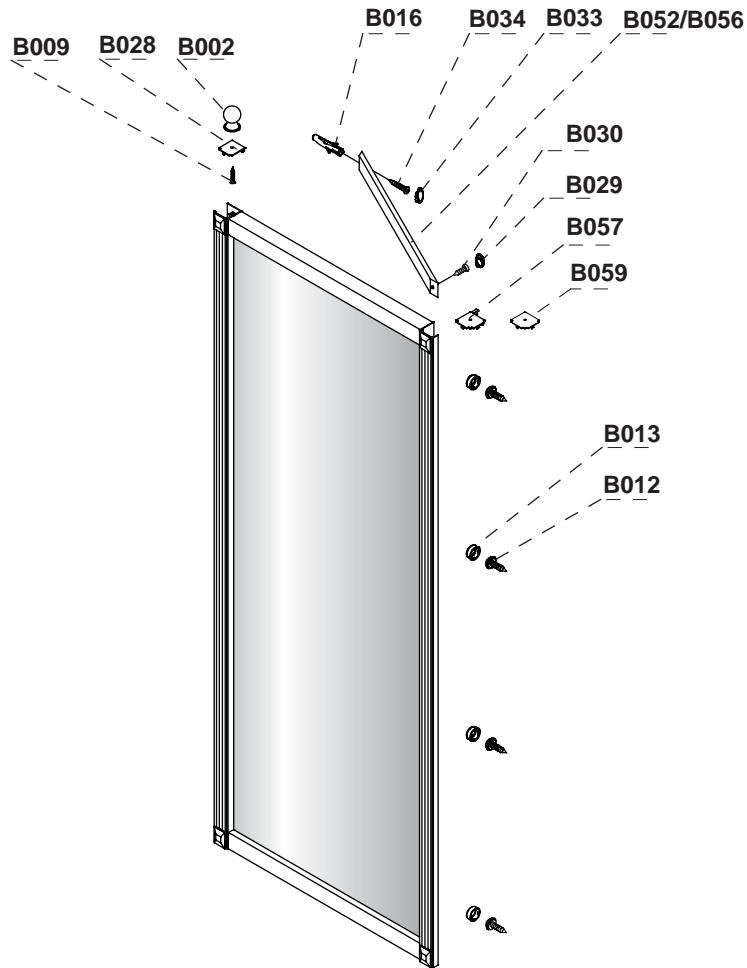
<b>B001</b>  2x	<b>B012</b>  8x ST3.5x10mm	<b>B013</b>  8x	<b>B002</b>  2x	<b>B038</b>  1x LH	<b>B039</b>  1x RH
<b>B009</b>  2x ST3.5x16mm	<b>B040</b>  1x LH	<b>B041</b>  1x RH	<b>B042</b>  1x	<b>B043</b>  1x	<b>B006</b>  4x
<b>B018</b>  1x	<b>B014</b>  8x ST4x50mm	<b>B016</b>  8x	<b>B015</b>  2x	<b>B026</b>  1x 4mm	

**Tools required:**



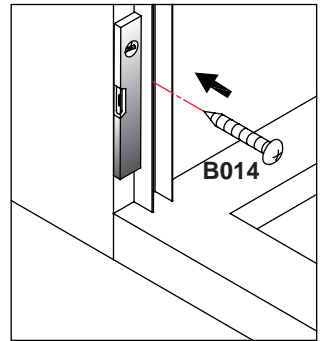
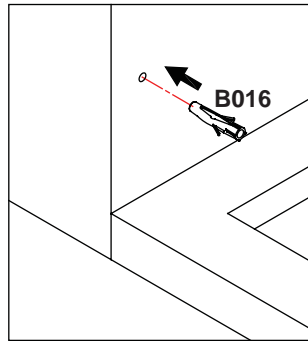
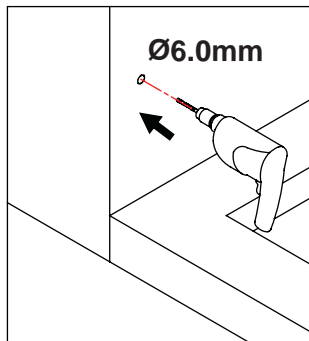
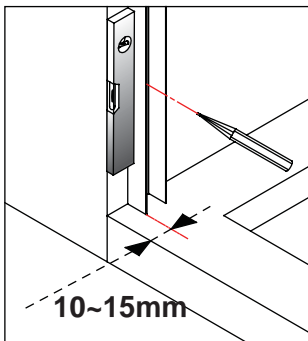
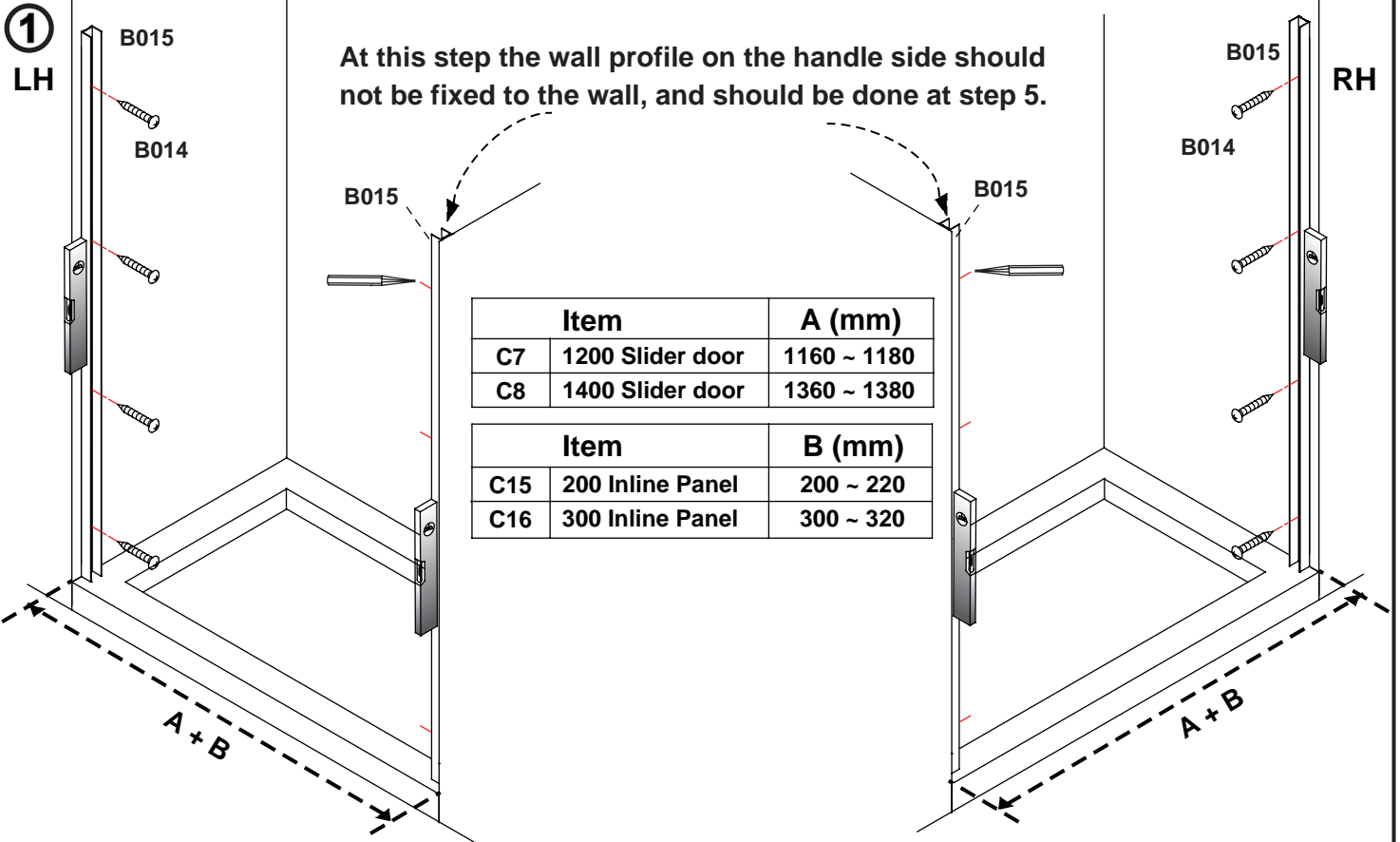
**Parts supplied:**

**Side Panel Box - C11/C12/C13/C14**

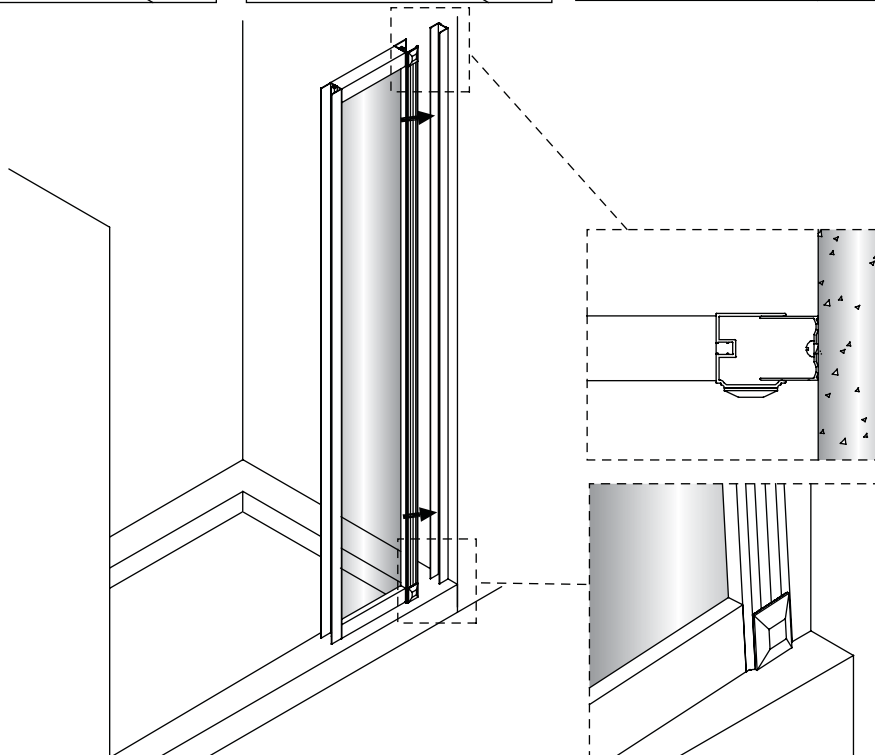


<p><b>B002</b></p> <p>1x</p>	<p><b>B027</b></p> <p>1x</p>	<p><b>B028</b></p> <p>1x</p>	<p><b>B009</b></p> <p>1x ST3.5*16mm</p>	<p><b>B034</b></p> <p>1x ST4*35mm</p>
<p><b>B033</b></p> <p>1x</p>	<p><b>B030</b></p> <p>1x ST4*25mm</p>	<p><b>B029</b></p> <p>1x</p>	<p><b>B016</b></p> <p>1x</p>	<p><b>B012</b></p> <p>4x ST3.5*10mm</p>
<p><b>B013</b></p> <p>4x</p>	<p><b>B057</b></p> <p>1x RH</p>	<p><b>B058</b></p> <p>1x LH</p>	<p><b>B059</b></p> <p>1x RH</p>	<p><b>B060</b></p> <p>1x LH</p>
<p><b>B052/B056</b></p> <p>1x</p> <p>- B052 is for 700, 760, 800 side panel - B056 is for 900 side panel</p>				

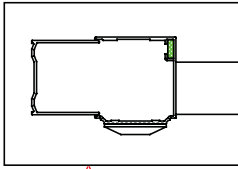
# Sliding Door and Inline Panel (Pages 5 - 9)



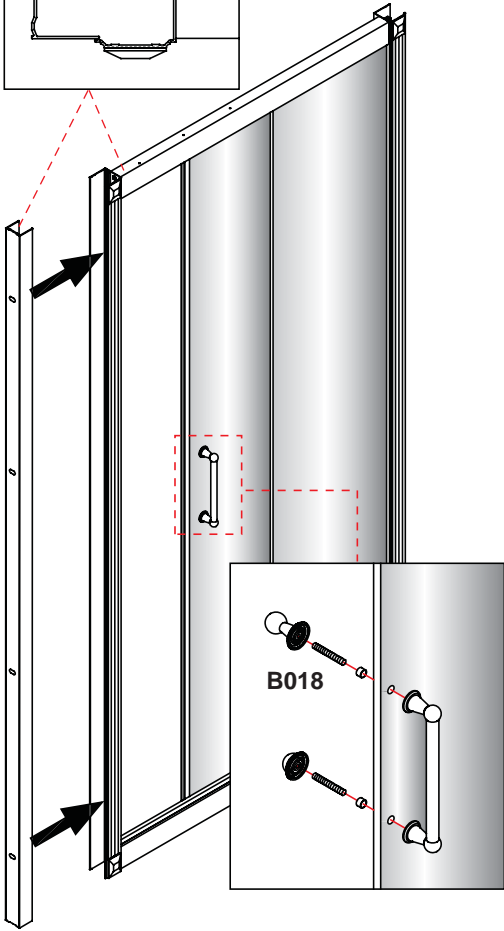
**②**



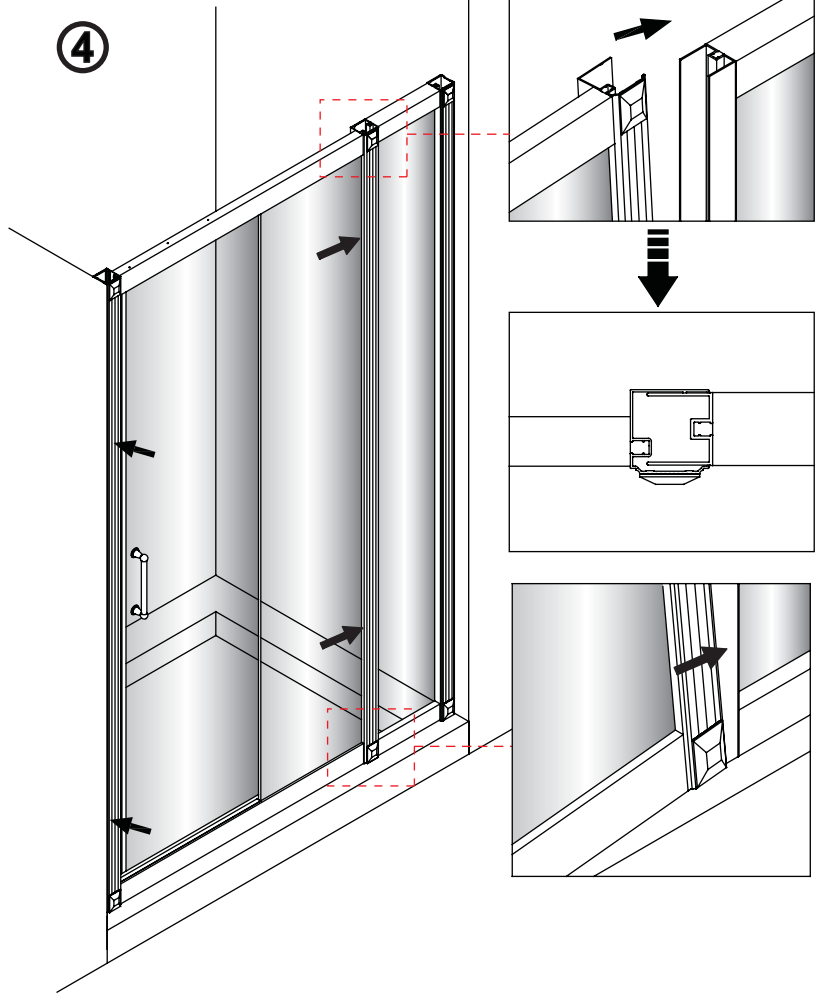
3



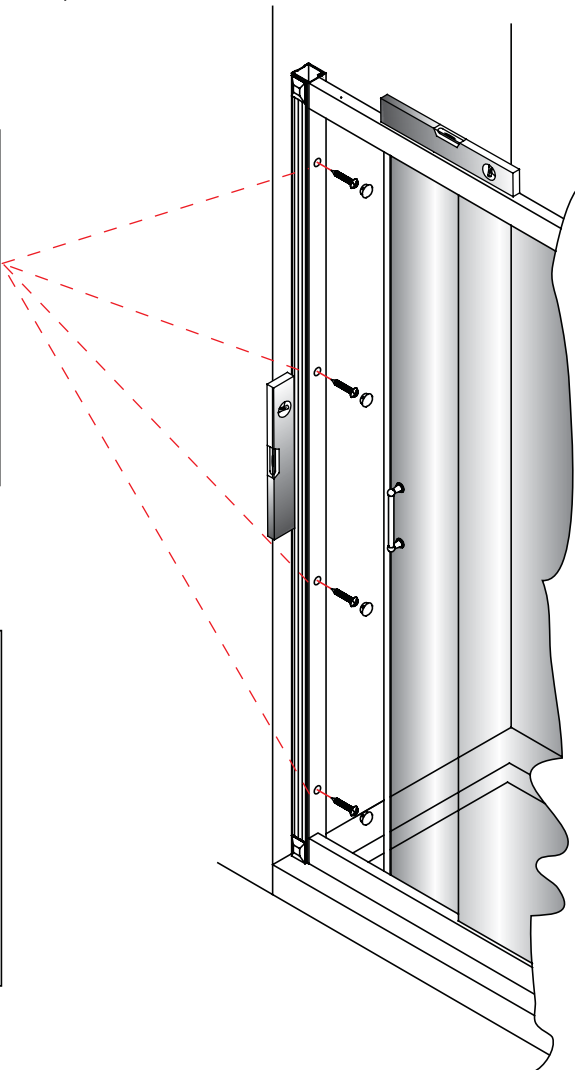
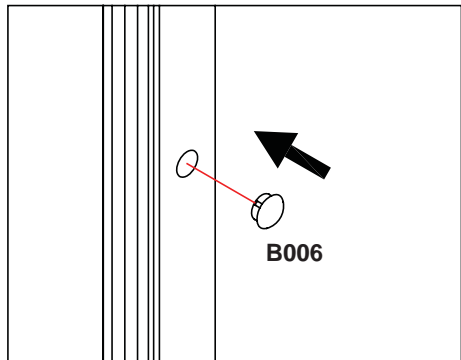
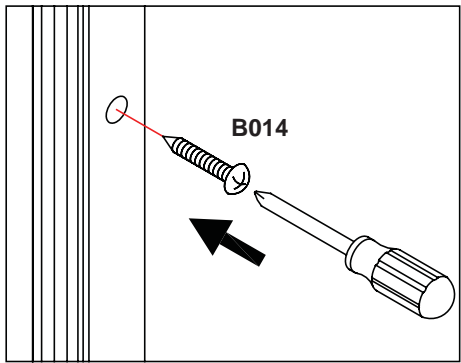
B015



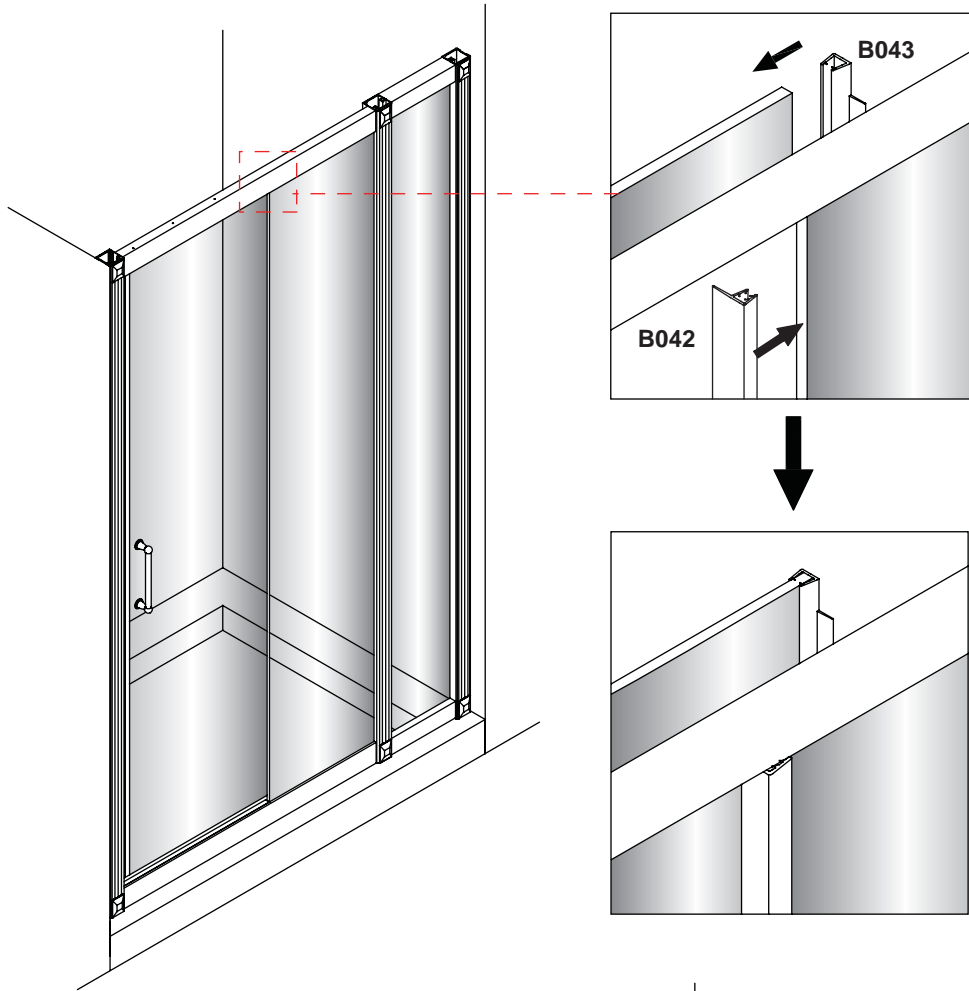
4



5

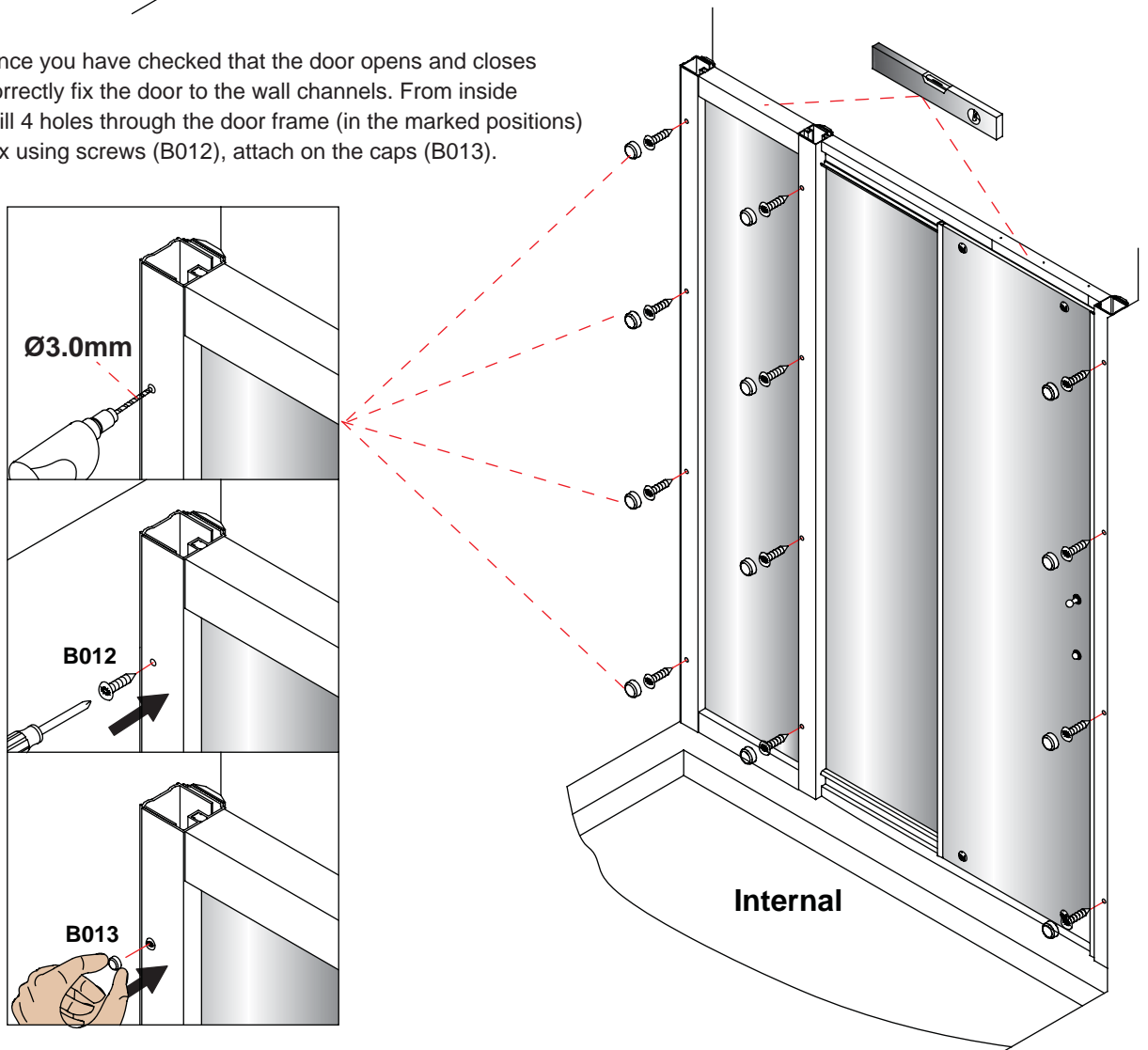


6



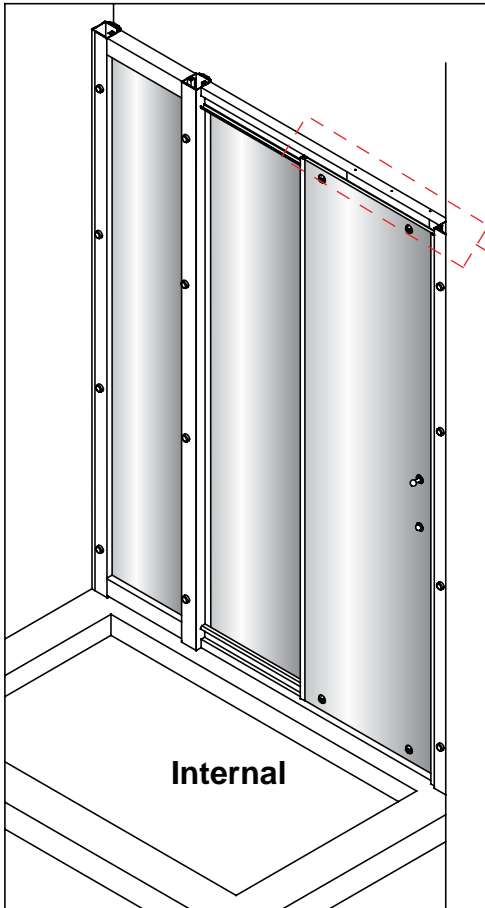
7

Once you have checked that the door opens and closes correctly fix the door to the wall channels. From inside drill 4 holes through the door frame (in the marked positions) Fix using screws (B012), attach on the caps (B013).





Only if adjustment is required.

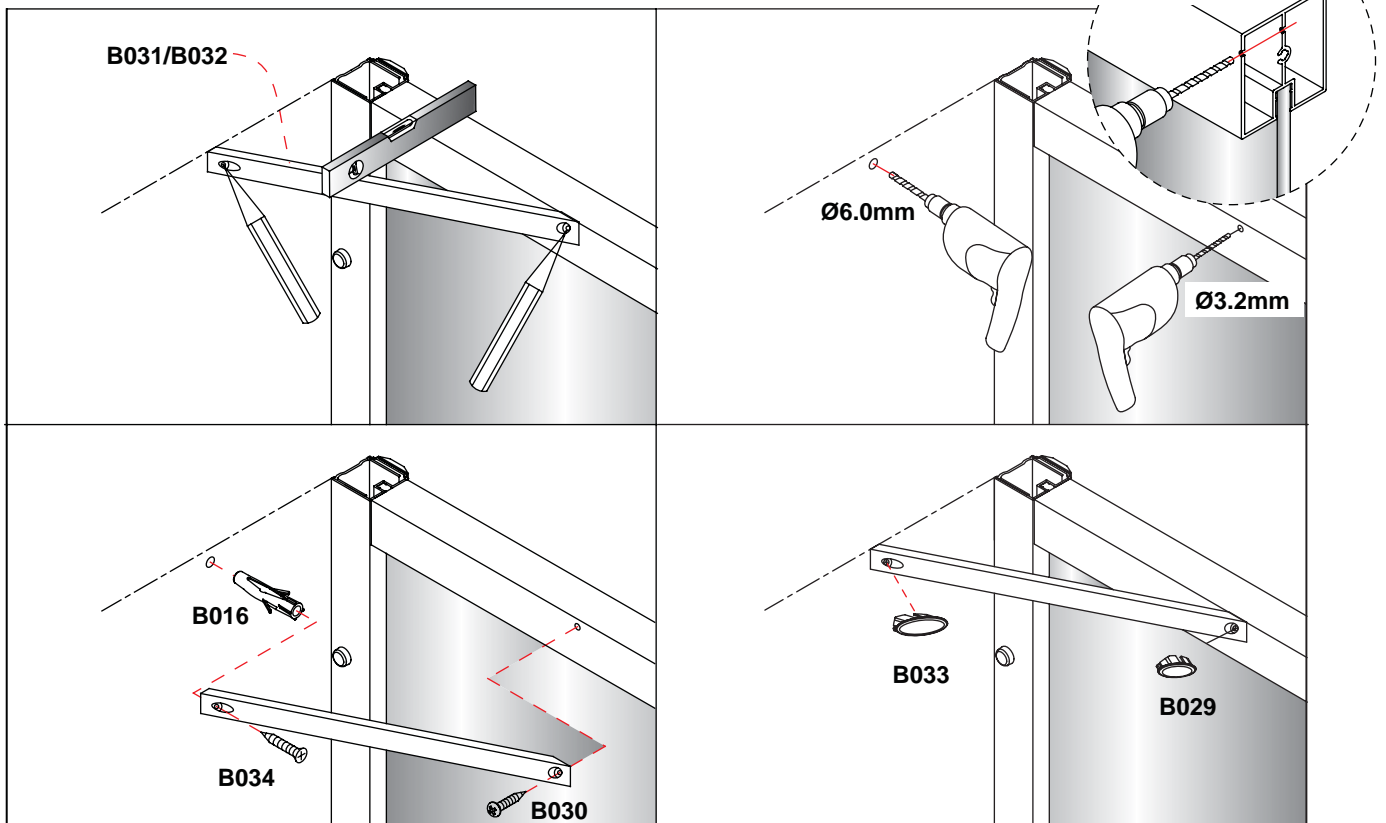


Internal

Problem	Resolution

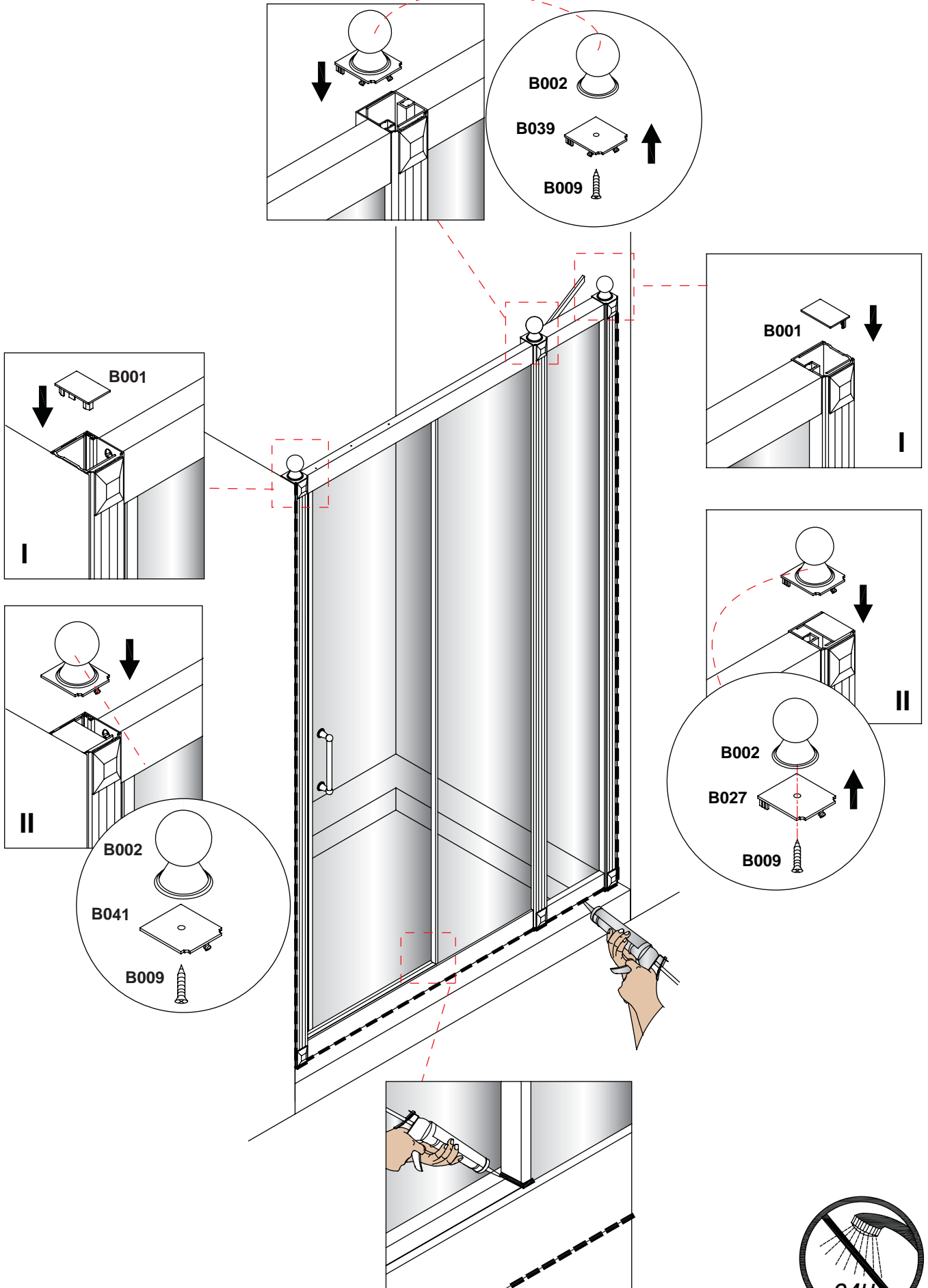
8

On the top rail drill through the outer and inner section as shown in diagram.





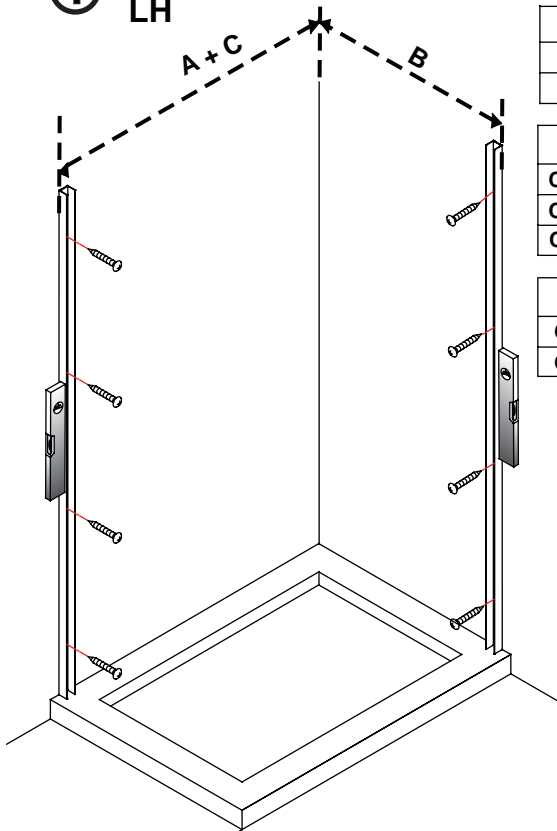
9



Sliding Door and Inline Panel Complete

# Sliding Door and Inline Panel with Side Panel (Pages 10 - 14)

① LH

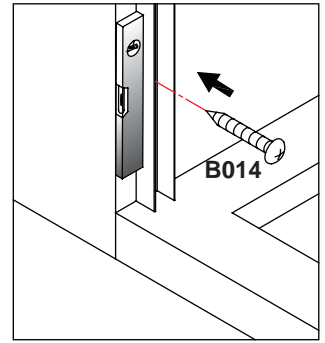
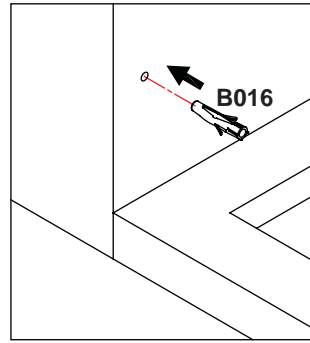
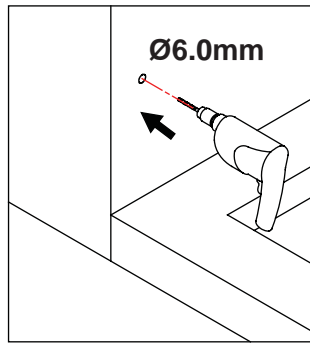
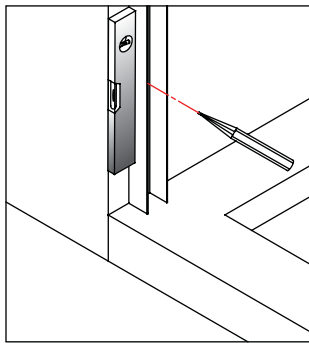
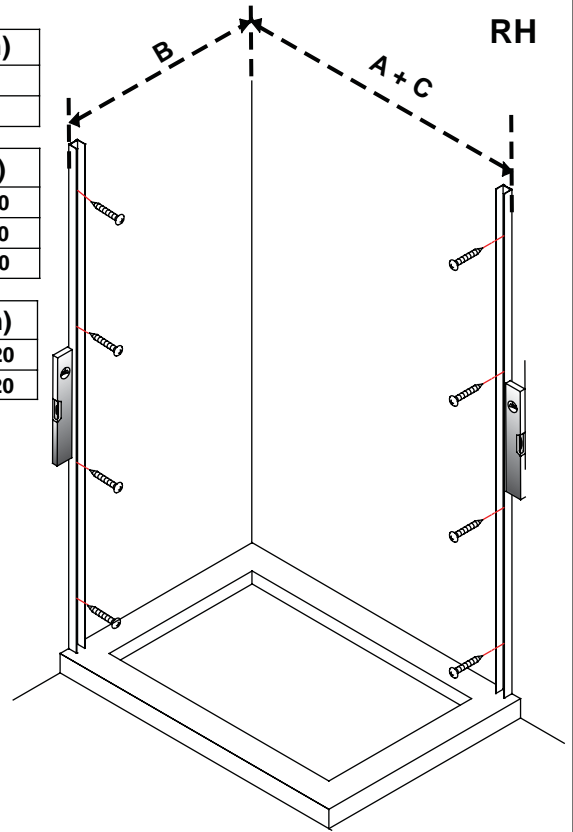


Item		A (mm)
C7	1200 Slider door	1160
C8	1400 Slider door	1360

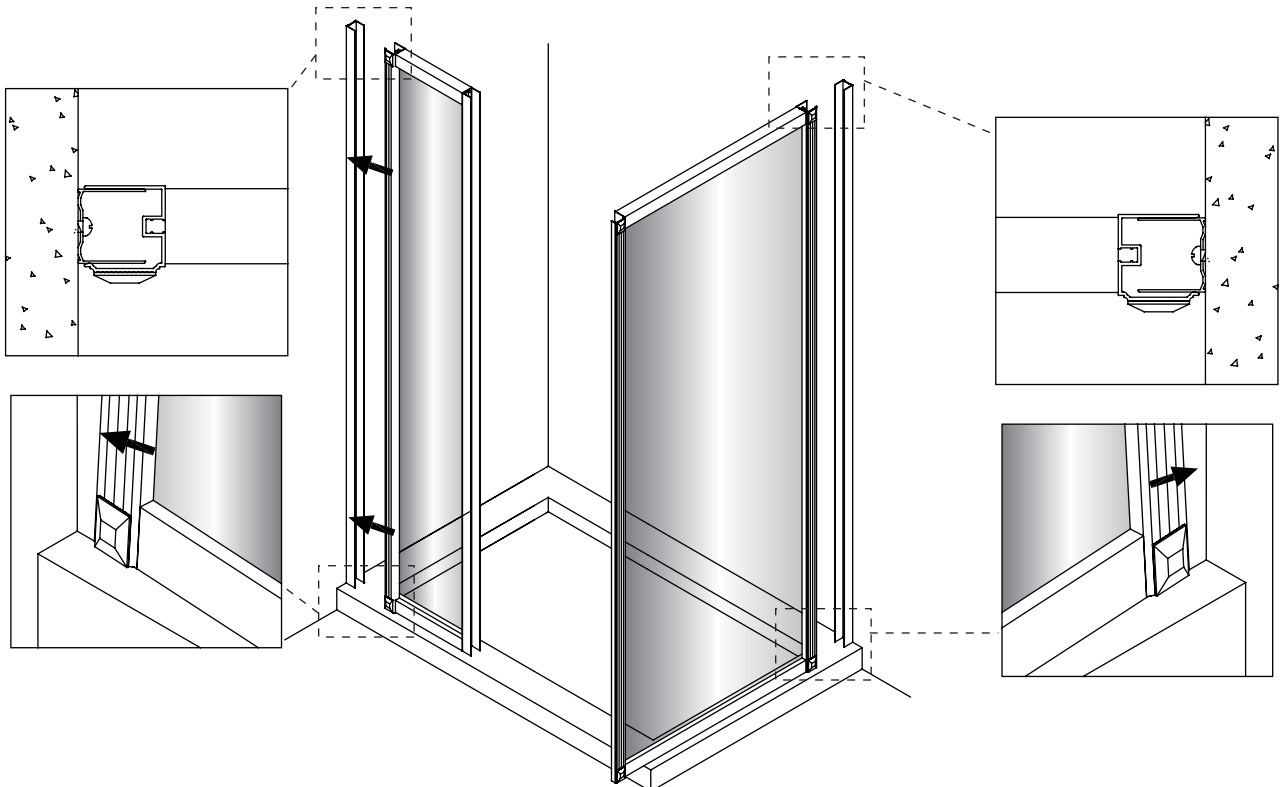
Item		B (mm)
C11	700 Side Panel	660 ~ 680
C12	760 Side Panel	720 ~ 740
C13	800 Side Panel	760 ~ 780

Item		C (mm)
C15	200 Inline Panel	200 ~ 220
C16	300 Inline Panel	300 ~ 320

RH

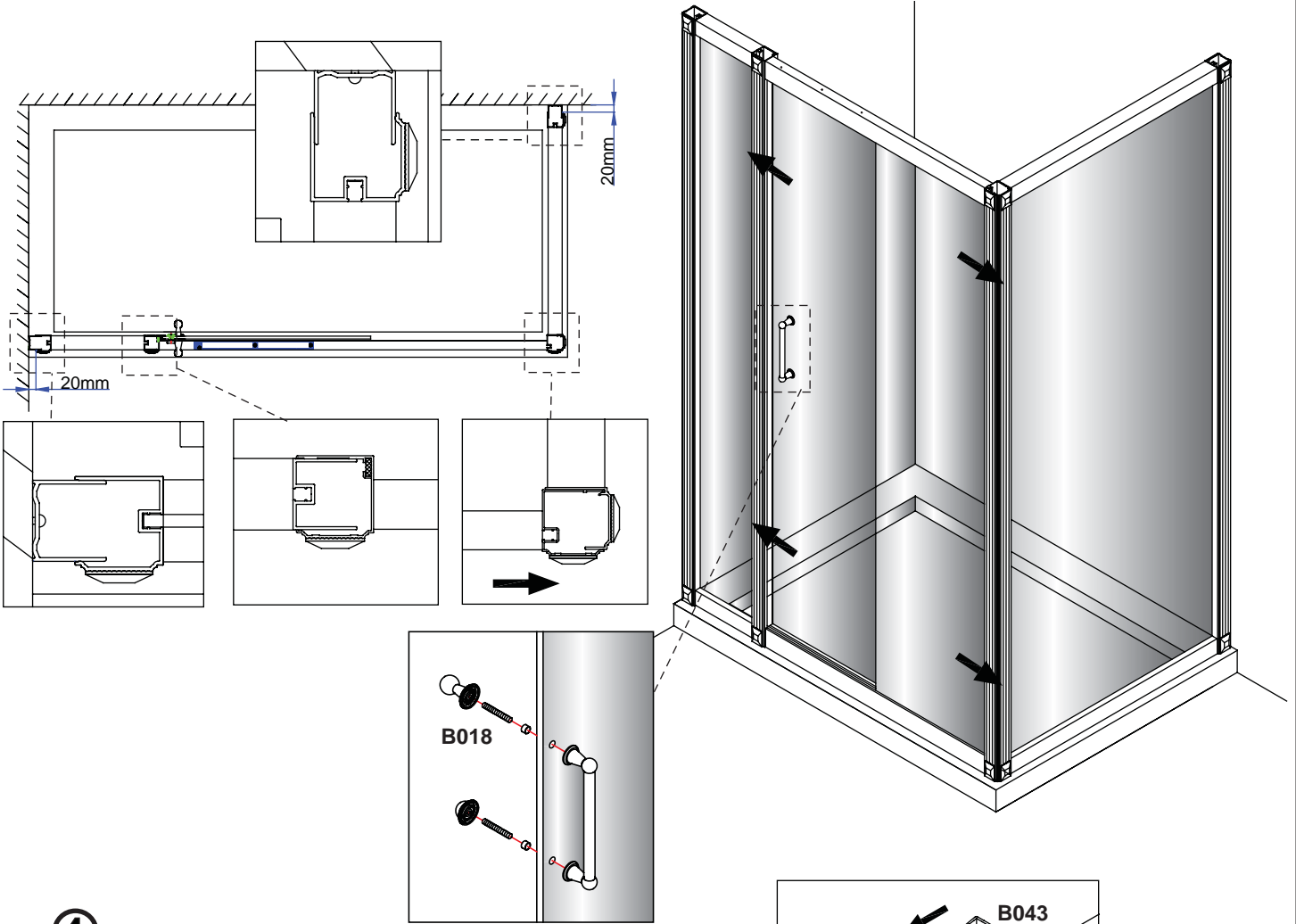


②

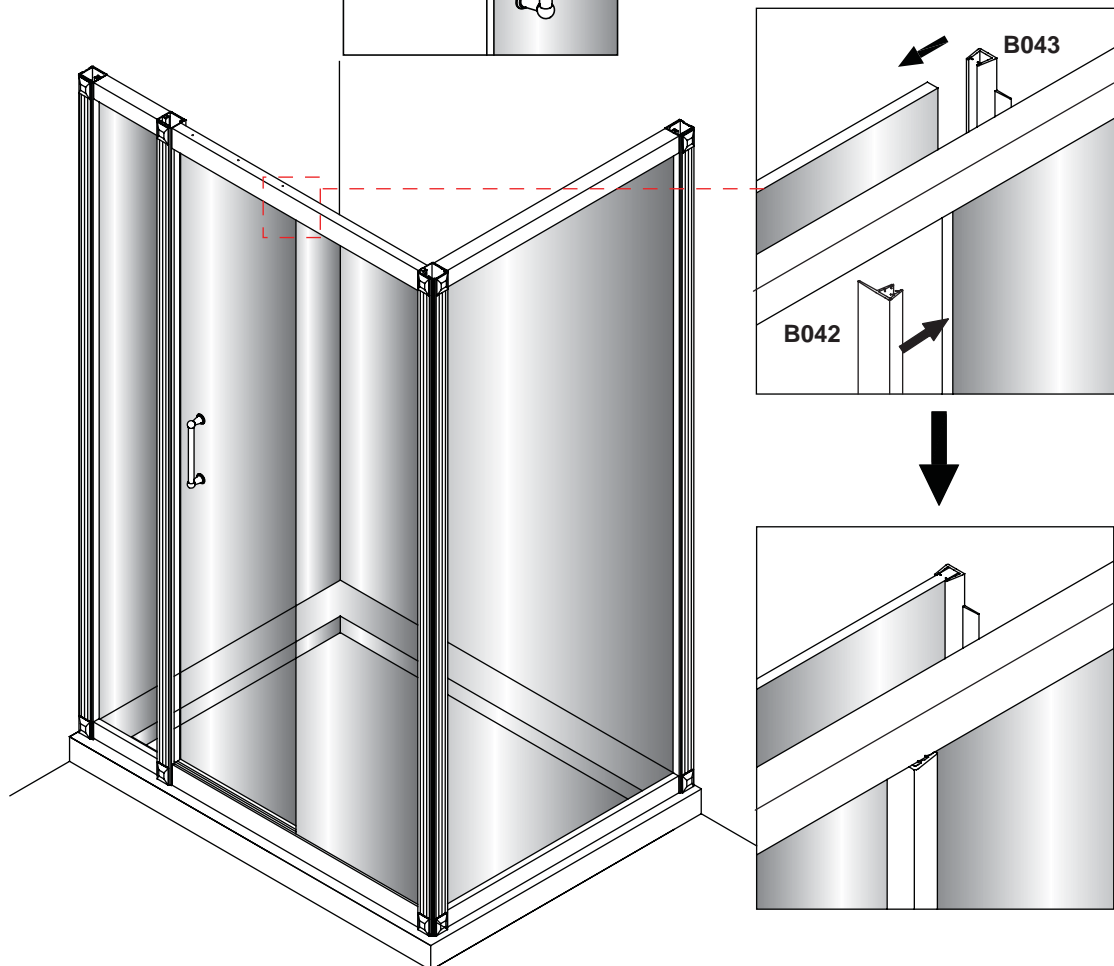


③

- Inline panel should be totally fitted within side panel and door profiles.
- Any adjustment required, can be gained from the wall profiles only.

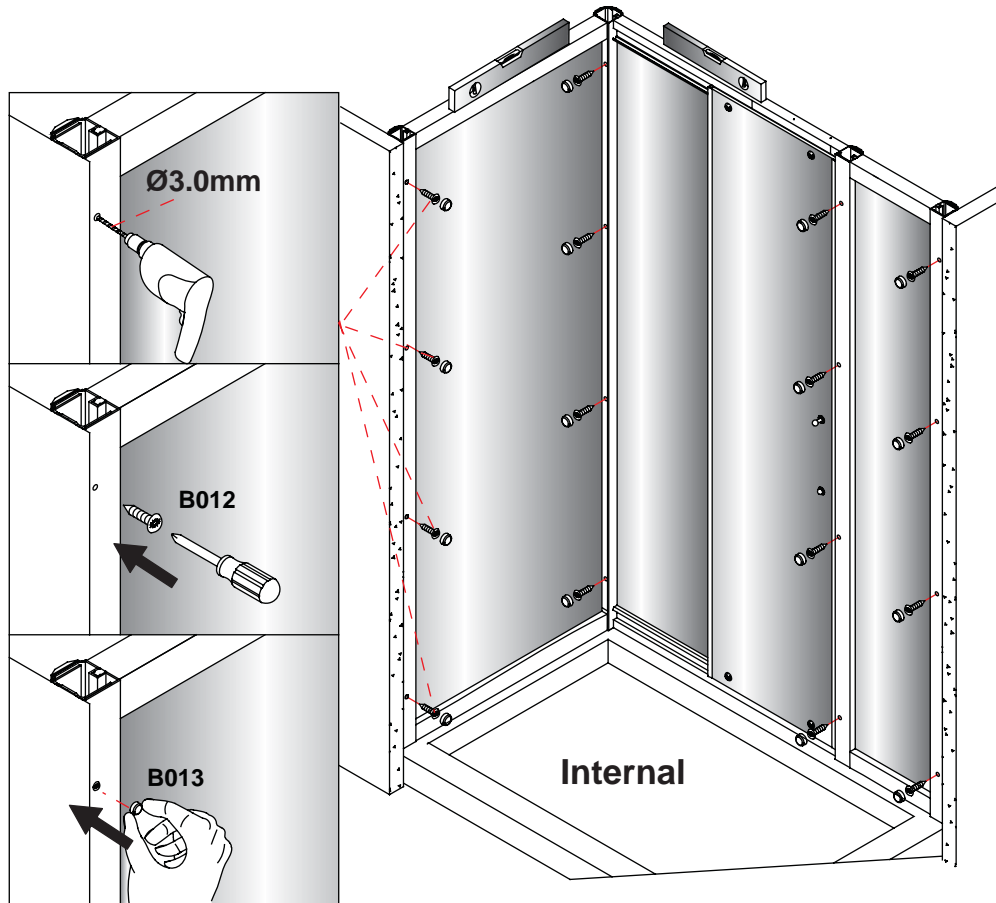


④

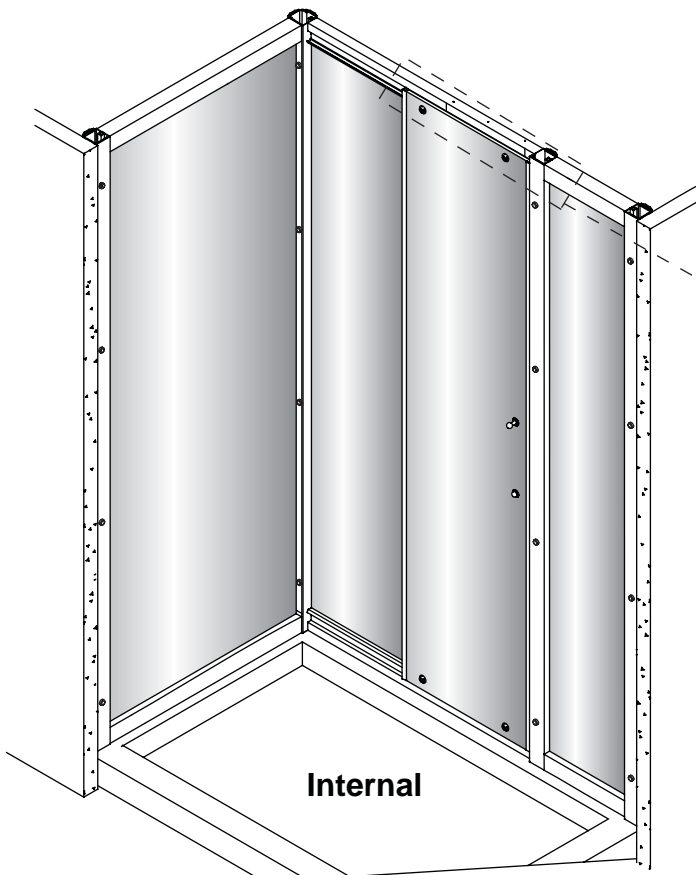


5

Once you have checked that the door opens and closes correctly fix the door to the wall channels. From inside drill 4 holes through the door frame (in the marked positions) Fix using screws (B012), attach on the caps (B013).

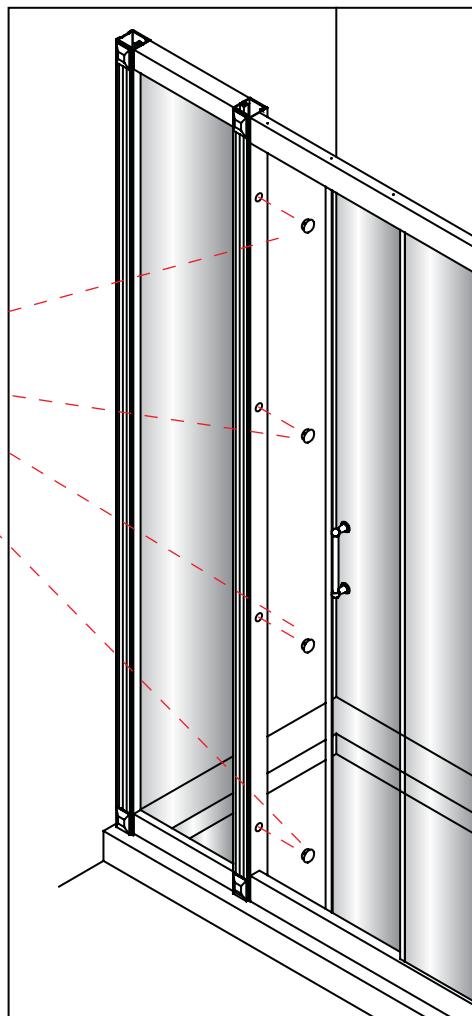
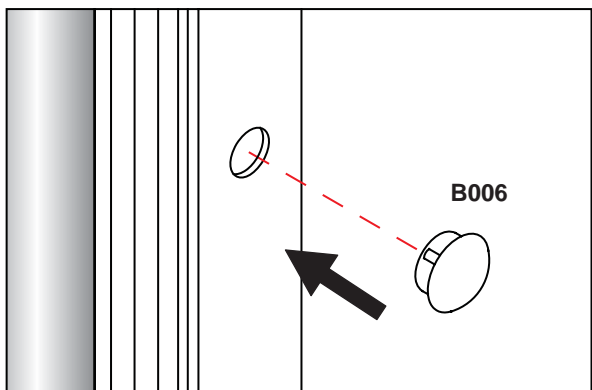


Only if adjustment is required.

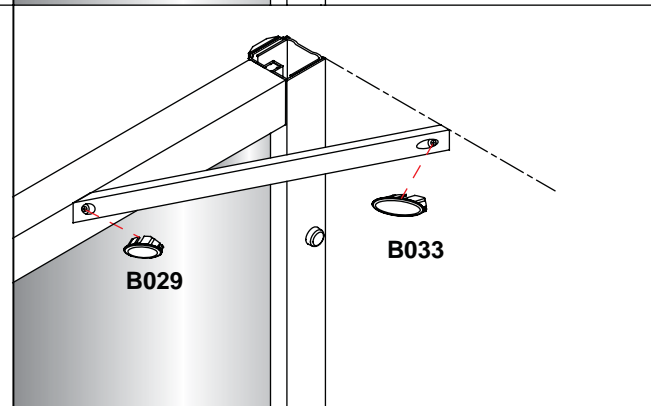
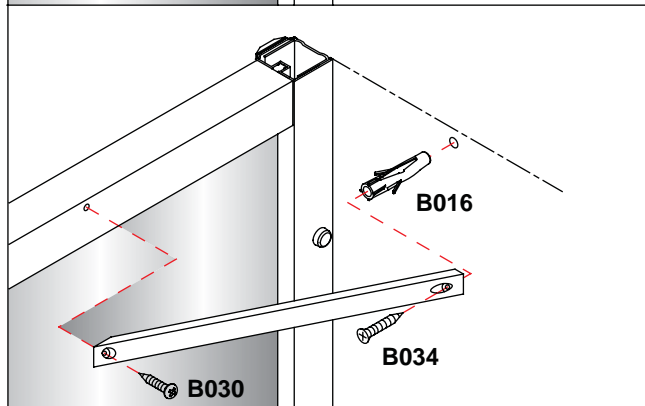
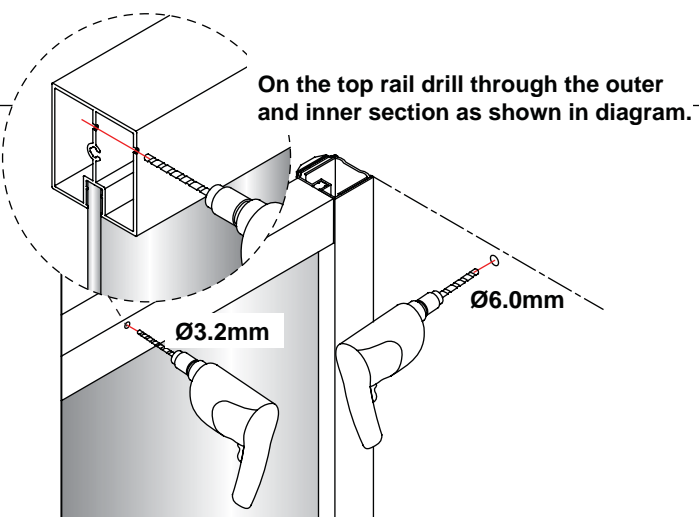
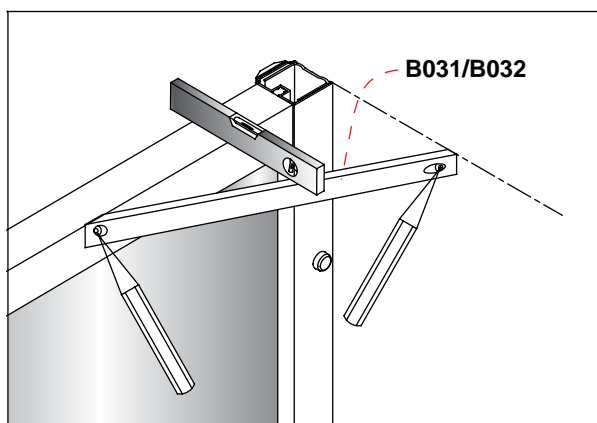


Problem	Resolution
	<p>B026</p>

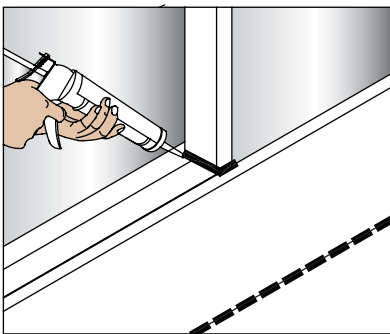
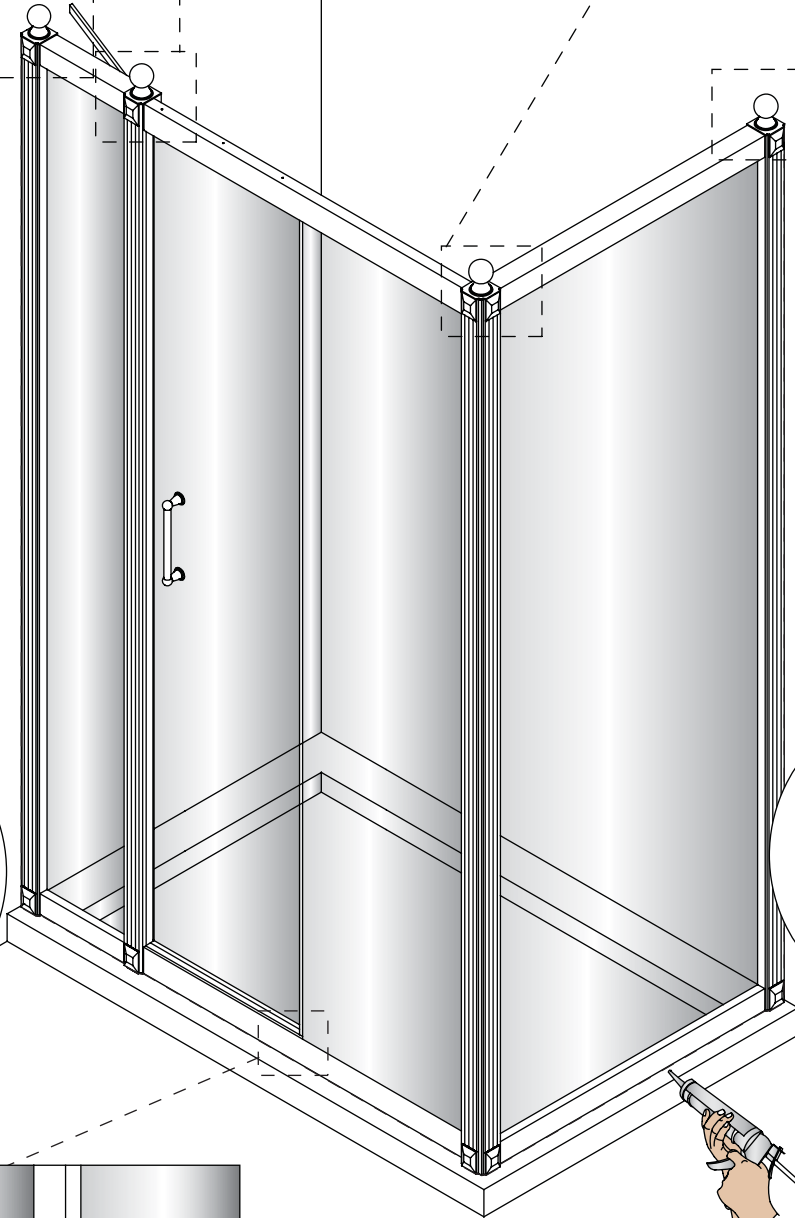
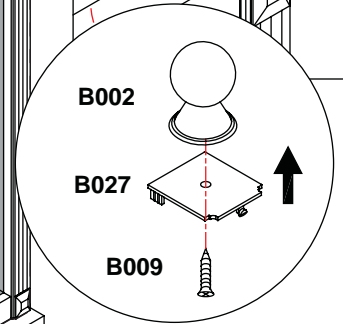
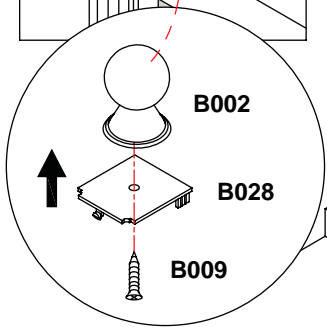
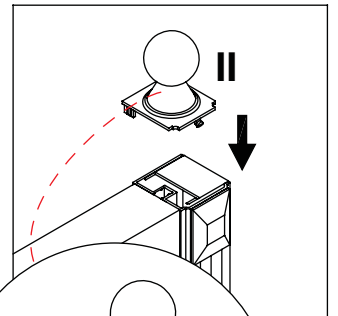
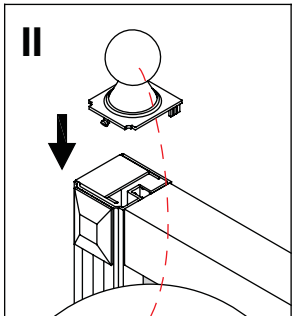
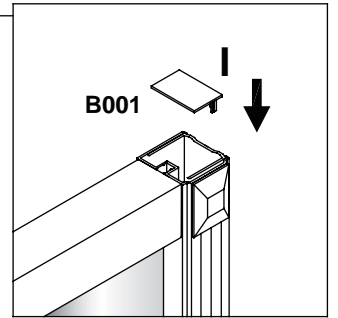
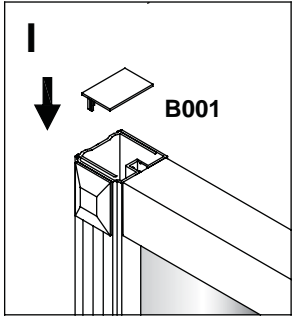
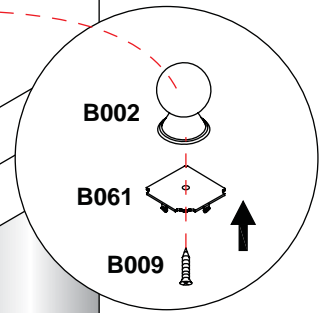
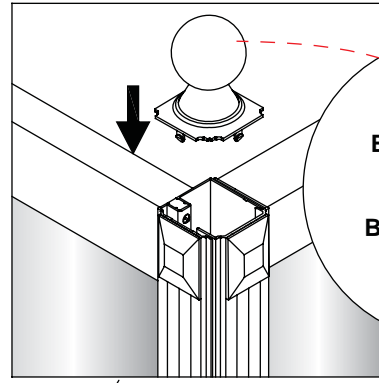
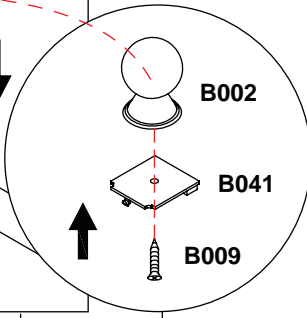
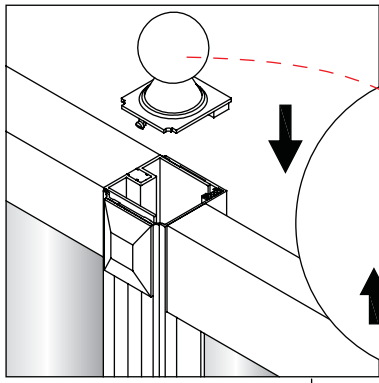
6



7



8



Sliding Door and Inline Panel with Side Panel Complete

- PLEASE USE THESE INSTRUCTIONS FOR HINGED DOOR & INLINE PANEL, OR HINGED DOOR, INLINE PANEL & SIDE PANEL INSTALLATION.
- Check the contents of the pack carefully before installation.
- The tray MUST be installed level and fully sealed to the tiles.
- Handle with care. Impacts can damage both the glass and the frame.
- Check for any hidden pipes or cables before drilling holes in the wall.
- The enclosure is reversible: " door can be either left or right opening. "  
 In the remainder of this manual the illustrations will only show the right hand installation.  
 The parts marked "LH" or "RH" would be only suitable for the relative shower enclosure.
- The wall fixings supplied may not be suitable for your installation. You may need to source alternatives depending on the construction of the wall you are fixing to.

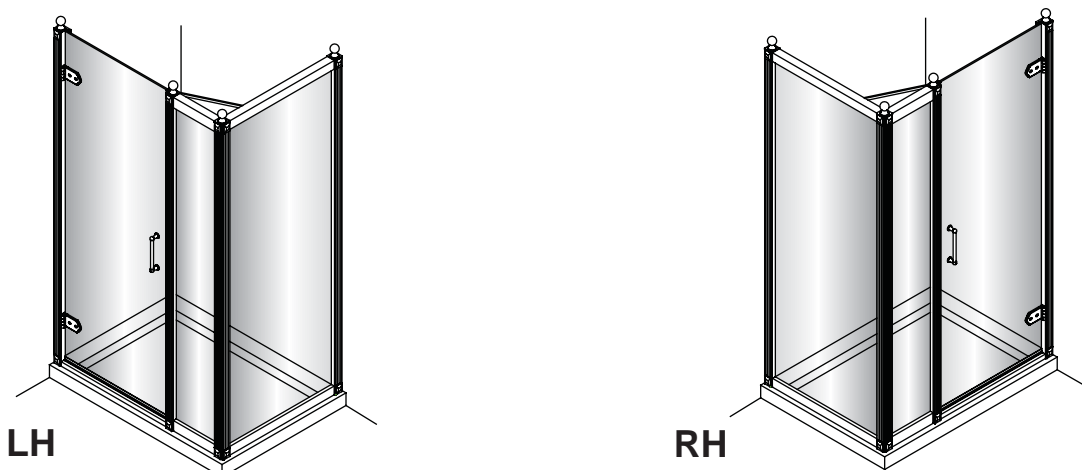
**Care and Cleaning:**

- Do not use solvents or abrasive material or chemicals to clean the enclosure.
- Only clean using soapy water and a soft cloth, rinse thoroughly afterwards.

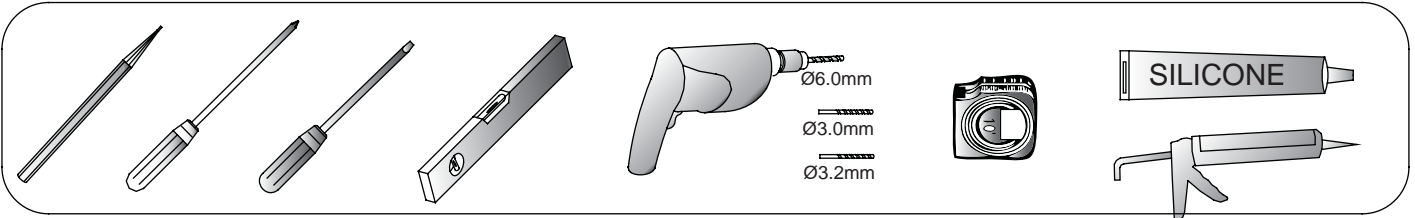
**Hinged Door and Inline Panel (Pages 5 - 10)**



**Hinged Door and Inline Panel with Side Panel (Pages 11 - 16)**

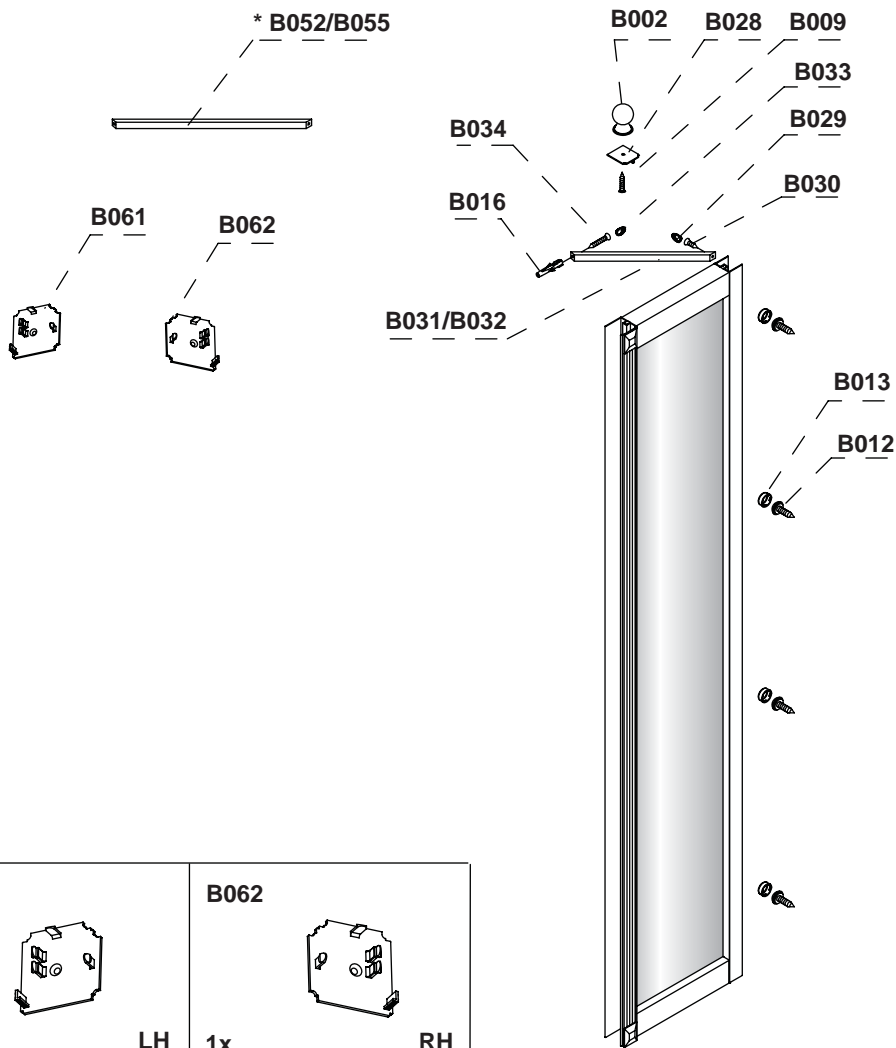


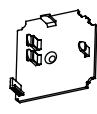
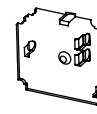











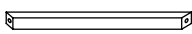
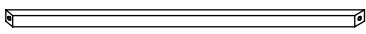
**Tools required:**



**Parts supplied:**

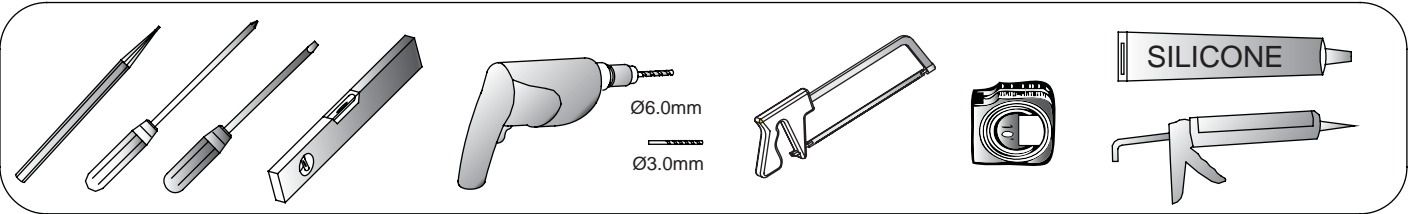
**Inline Panel Box - C15/C16/C17**



<p><b>B061</b></p>  <p>1x LH</p>	<p><b>B062</b></p>  <p>1x RH</p>			
<p><b>B002</b></p>  <p>1x</p>	<p><b>B027</b></p>  <p>1x</p>	<p><b>B028</b></p>  <p>1x</p>	<p><b>B009</b></p>  <p>1x</p> <p>ST3.5*16mm</p>	<p><b>B034</b></p>  <p>1x</p> <p>ST4*35mm</p>
<p><b>B033</b></p>  <p>1x</p>	<p><b>B030</b></p>  <p>1x</p> <p>ST4*25mm</p>	<p><b>B029</b></p>  <p>1x</p>	<p><b>B016</b></p>  <p>1x</p>	<p><b>B012</b></p>  <p>4x</p> <p>ST3.5*10mm</p>
<p><b>B013</b></p>  <p>4x</p>	<p><b>B031/B032</b></p>  <p>1x</p> <p>- B031 is for 200 Inline panel - B032 is for 300, 400 Inline panel</p>		<p><b>* B052/B055</b></p>  <p>1x</p> <p>- B052 is for 200 Inline panel - B055 is for 300 Inline panel</p>	

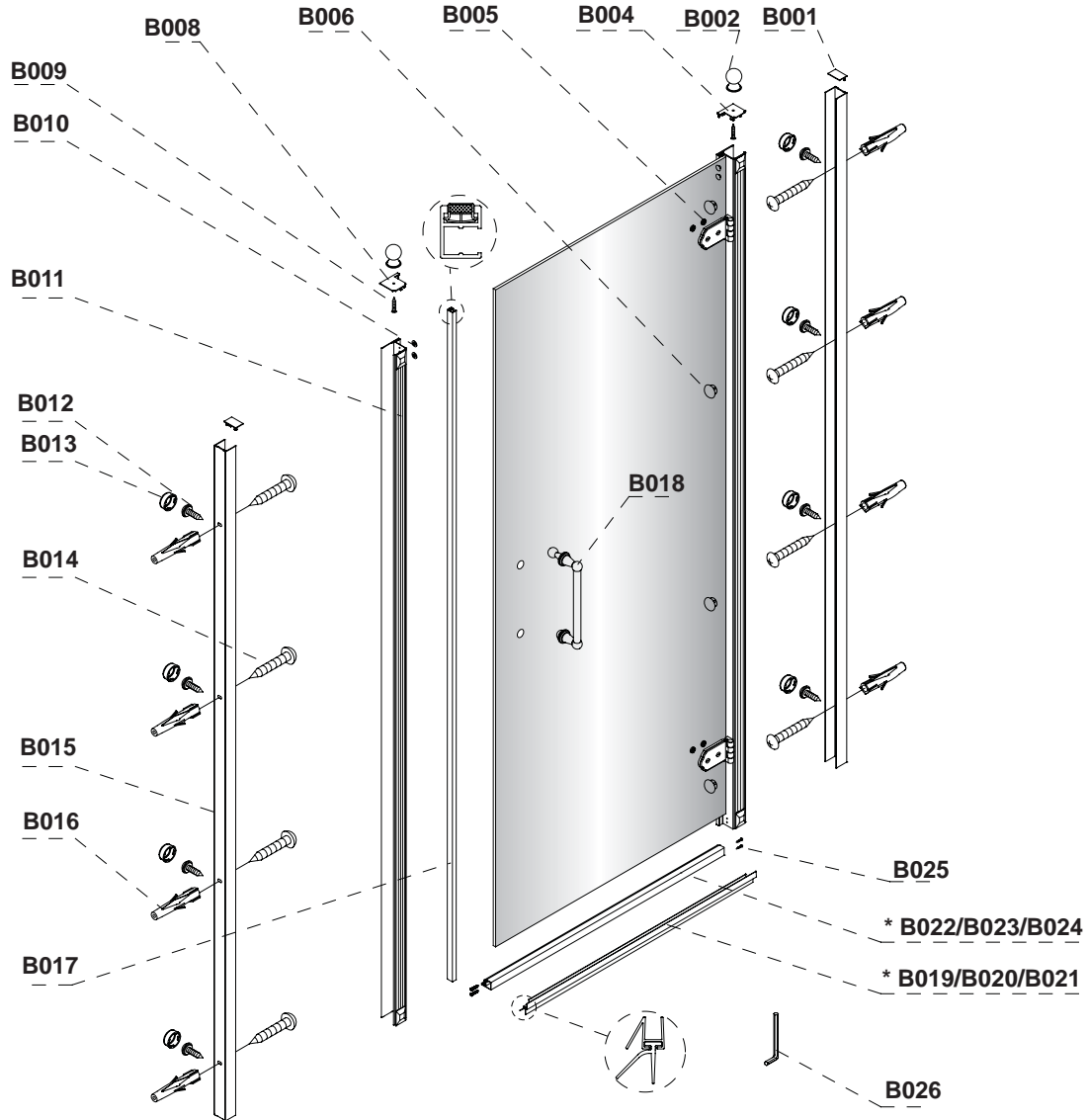


**Tools required:**



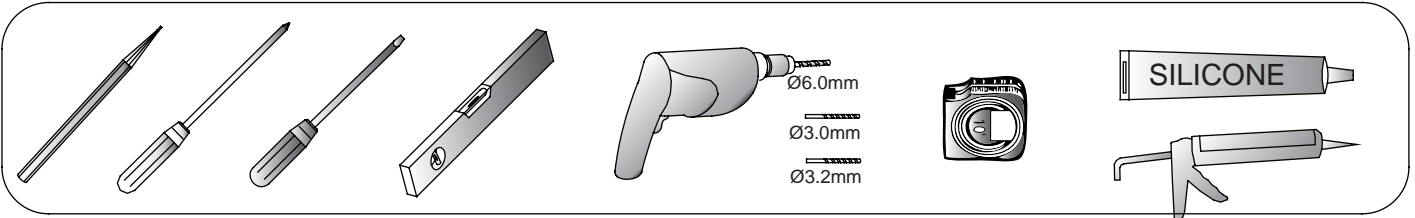
**Parts supplied:**

**Hinged Door Box - C19/C20/C21**



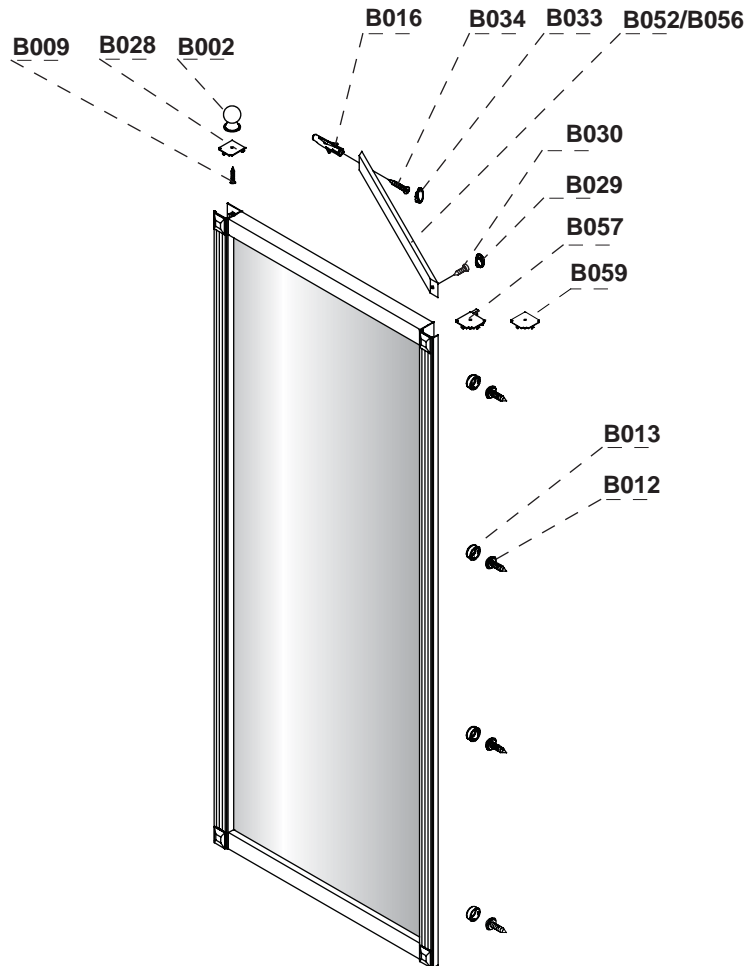
<b>B001</b>  2x	<b>B002</b>  2x	<b>B003</b>  1x LH	<b>B004</b>  1x RH	<b>B005</b>  4x	<b>B006</b>  4x
<b>B007</b>  1x LH	<b>B008</b>  1x RH	<b>B009</b>  2x ST3.5*16mm	<b>B010</b>  4x	<b>B011</b>  1x	<b>B012</b>  8x ST3.5*10mm
<b>B013</b>  8x	<b>B014</b>  8x ST4*50mm	<b>B015</b>  2x	<b>B016</b>  8x	<b>B017</b>  1x	<b>B018</b>  1x
<b>* B019/B020/B021</b>  1x - B019 is for 760 Hinged door - B020 is for 800 Hinged door - B021 is for 900 Hinged door	<b>* B022/B023/B024</b>  1x - B022 is for 760 Hinged door - B023 is for 800 Hinged door - B024 is for 900 Hinged door	<b>B025</b>  4x ST4*30mm	<b>B026</b>  1x 4mm		

**Tools required:**



**Parts supplied:**

**Side Panel Box - C11/C12/C13/C14**



<p><b>B002</b></p> <p>1x</p>	<p><b>B027</b></p> <p>1x</p>	<p><b>B028</b></p> <p>1x</p>	<p><b>B009</b></p> <p>1x ST3.5*16mm</p>	<p><b>B034</b></p> <p>1x ST4*35mm</p>
<p><b>B033</b></p> <p>1x</p>	<p><b>B030</b></p> <p>1x ST4*25mm</p>	<p><b>B029</b></p> <p>1x</p>	<p><b>B016</b></p> <p>1x</p>	<p><b>B012</b></p> <p>4x ST3.5*10mm</p>
<p><b>B013</b></p> <p>4x</p>	<p><b>B057</b></p> <p>1x RH</p>	<p><b>B058</b></p> <p>1x LH</p>	<p><b>B059</b></p> <p>1x RH</p>	<p><b>B060</b></p> <p>1x LH</p>
<p><b>B052/B056</b></p> <p>1x</p> <p>- B052 is for 700, 760, 800 side panel - B056 is for 900 side panel</p>				

# Hinged Door and Inline Panel (Pages 5 - 10)

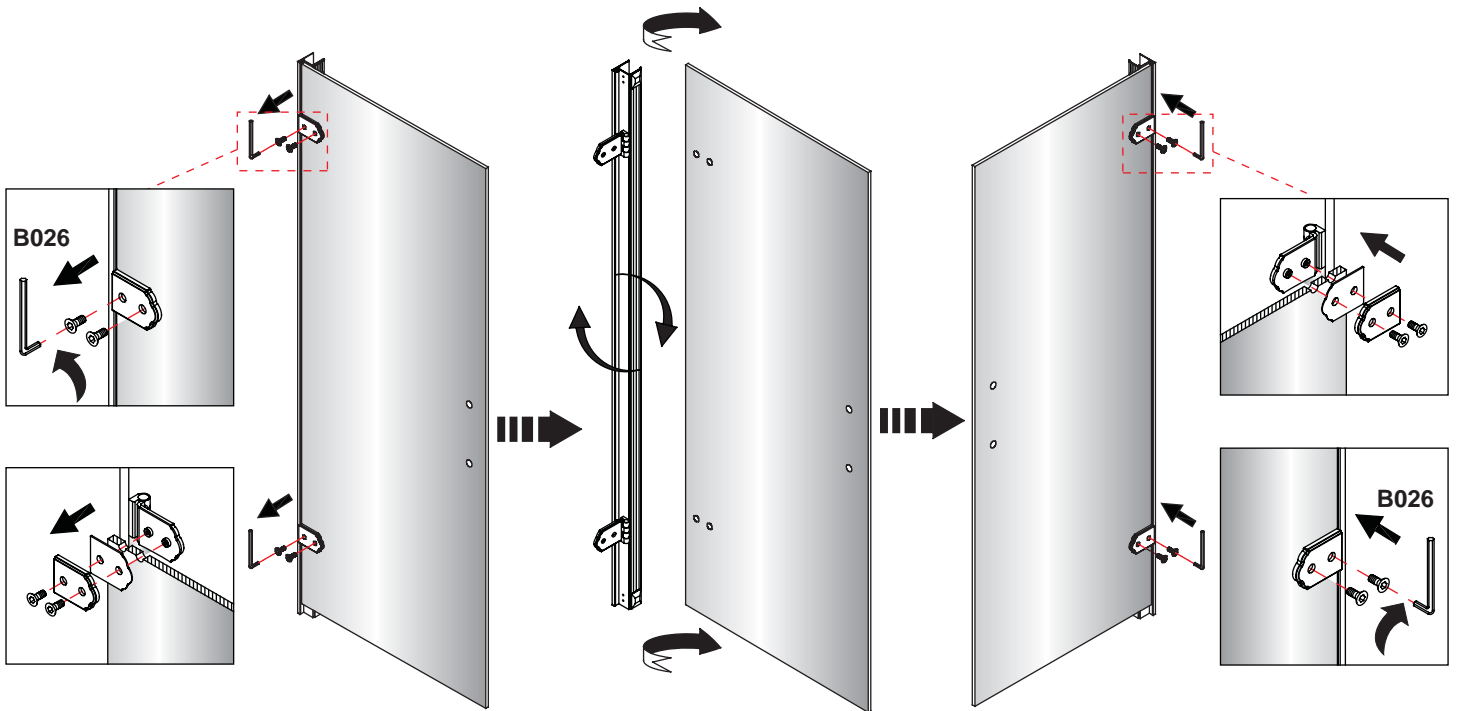


The hinged door is supplied for Right Handed installation. For Left Handed installation please loosen the hinges and reverse the glass as shown below.

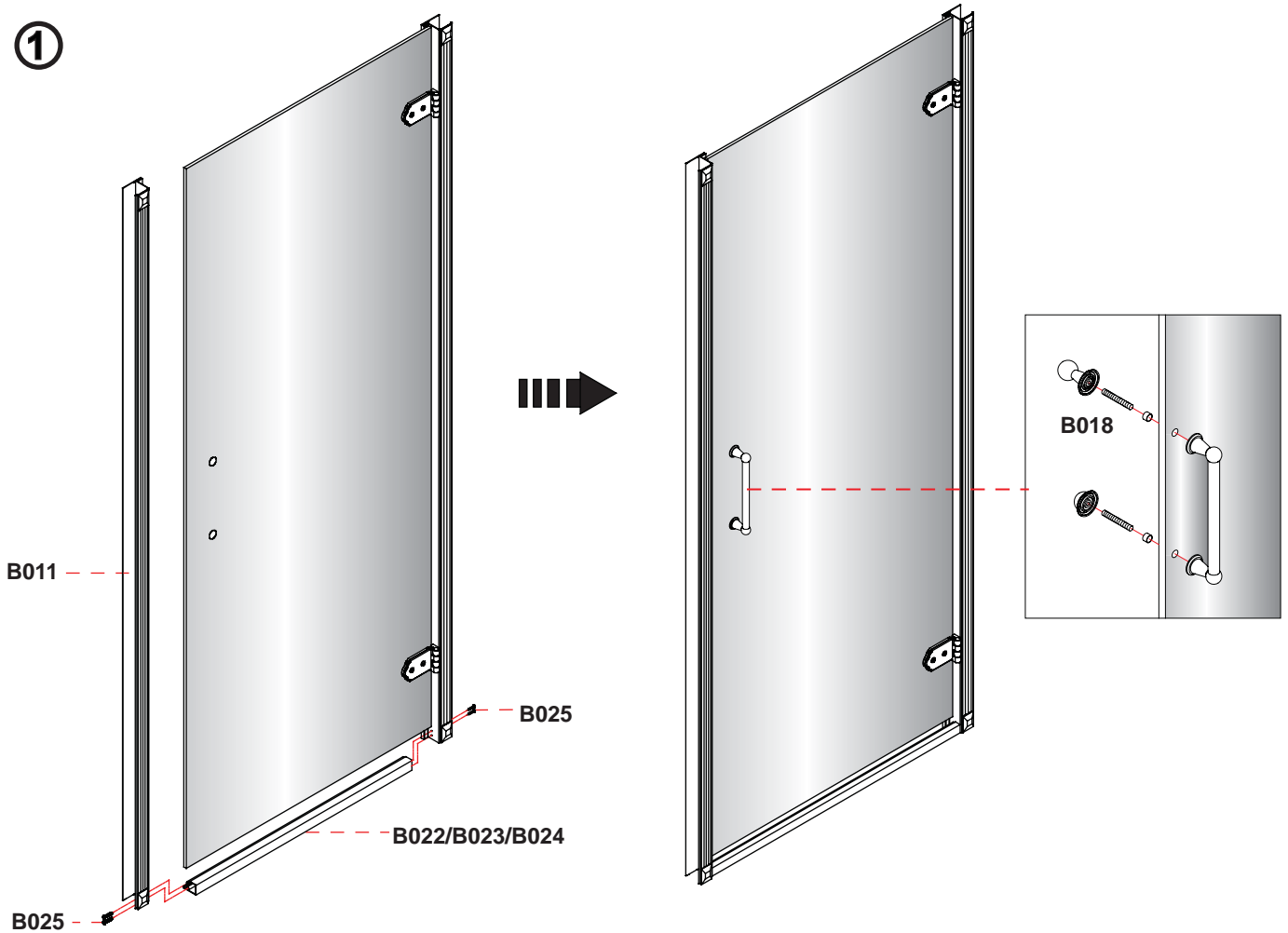
Right Hand



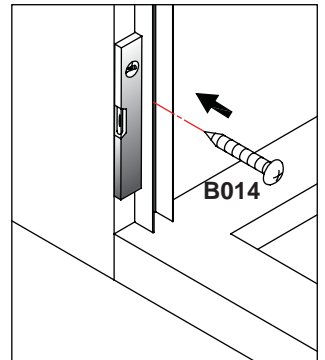
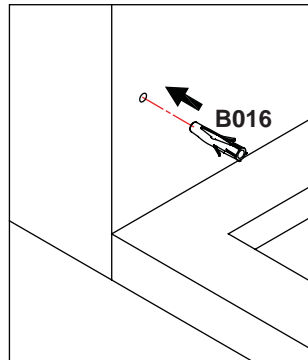
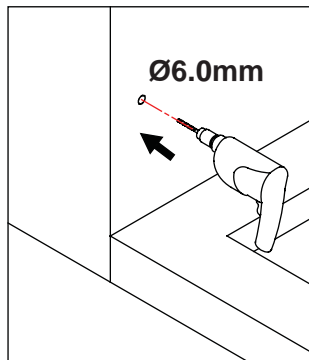
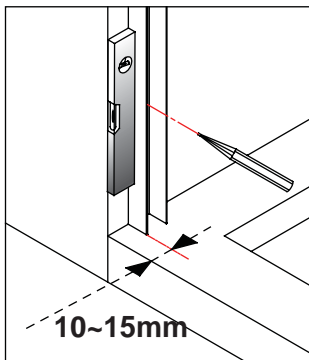
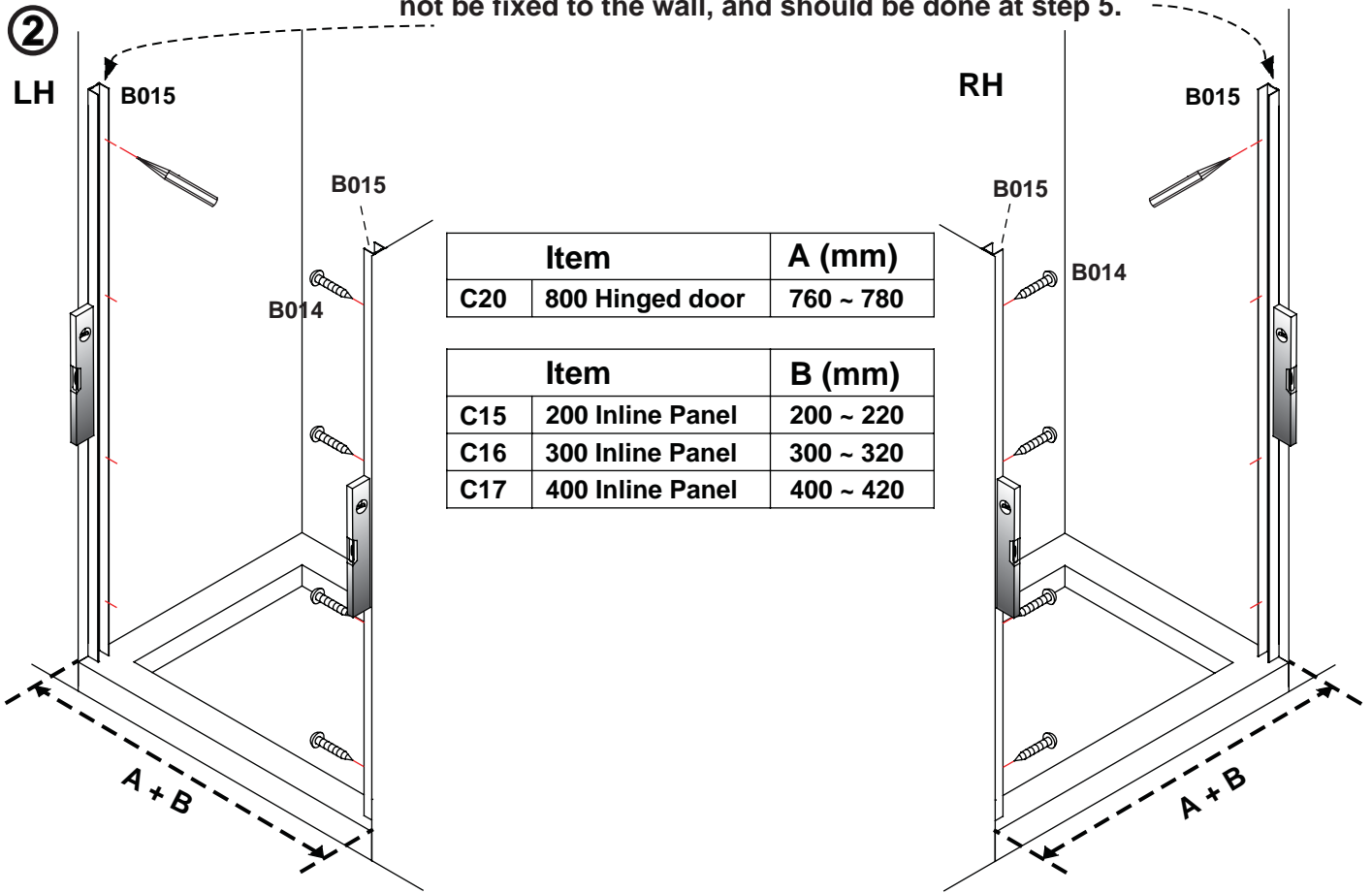
Left Hand



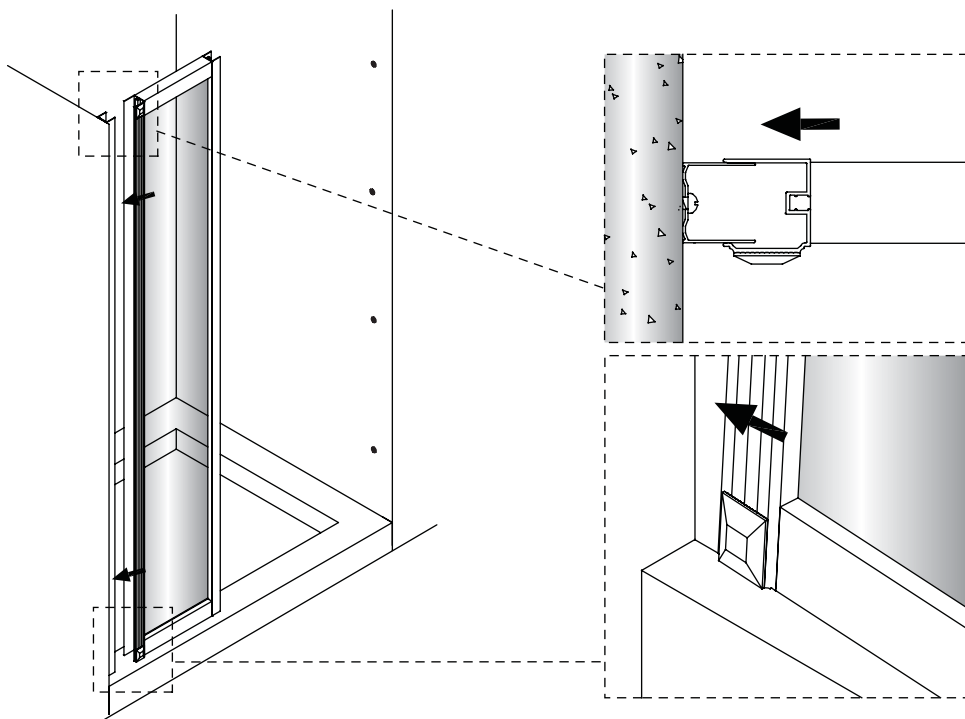
①



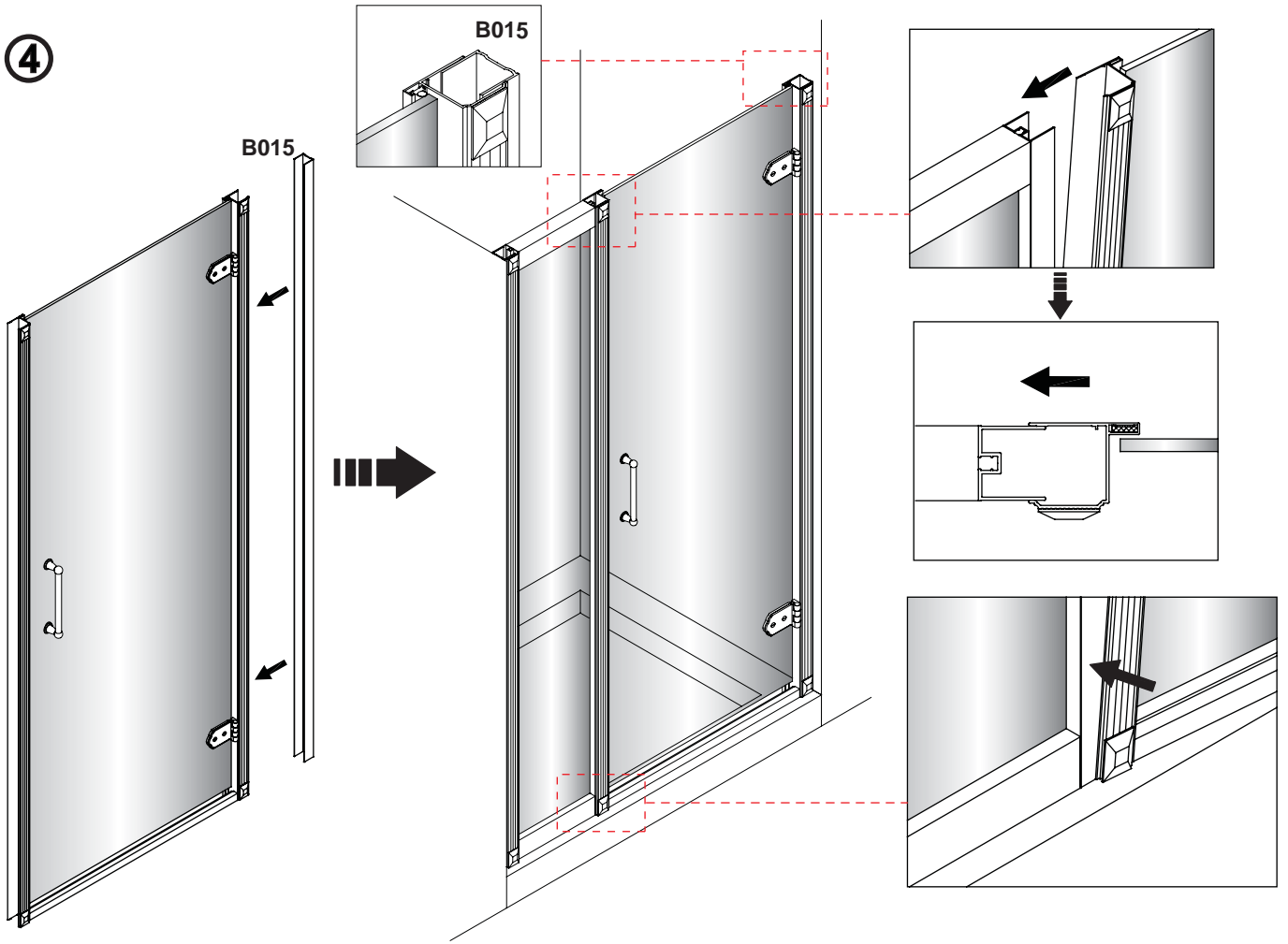
At this step the wall profile on the hinged side should not be fixed to the wall, and should be done at step 5.



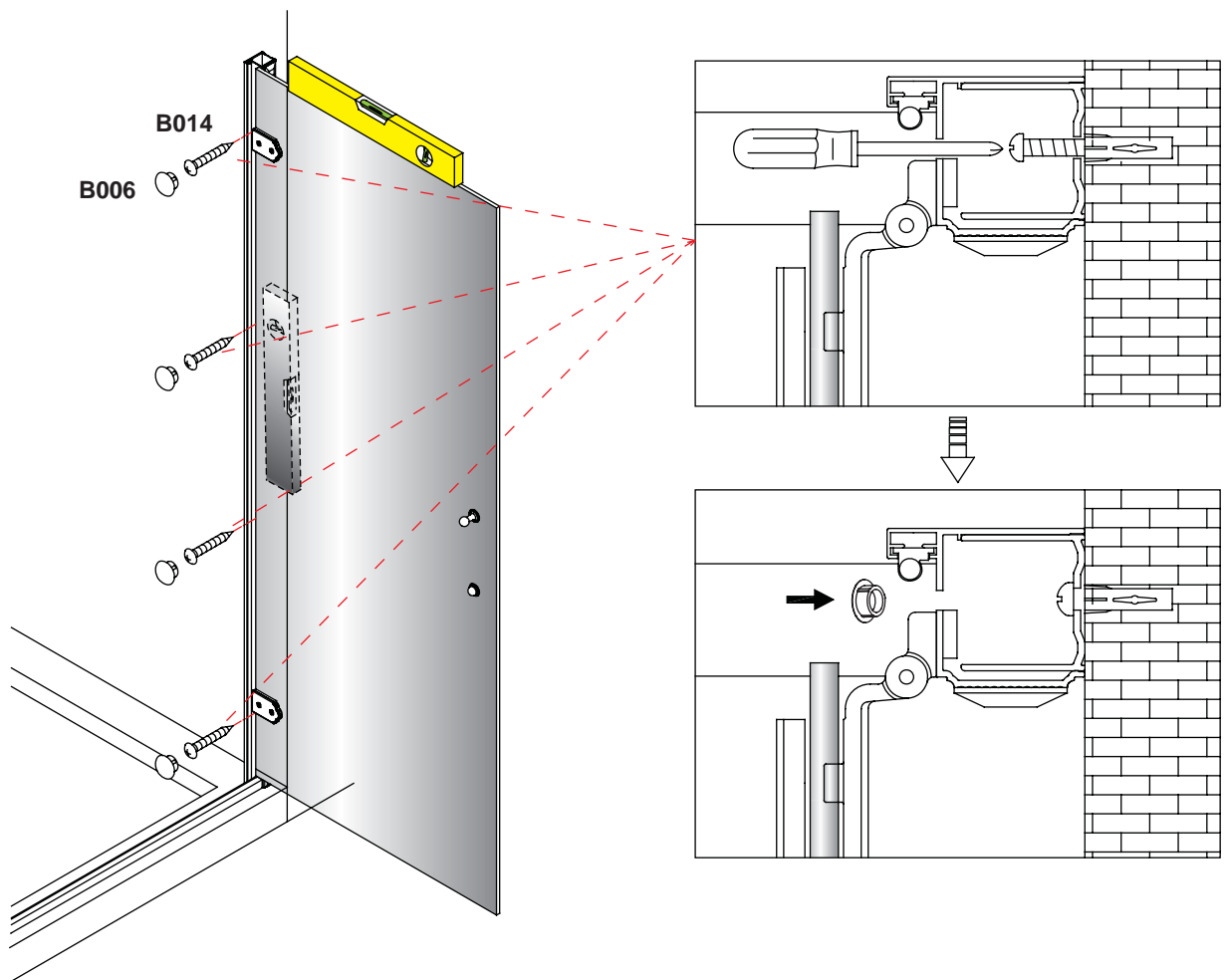
③



④

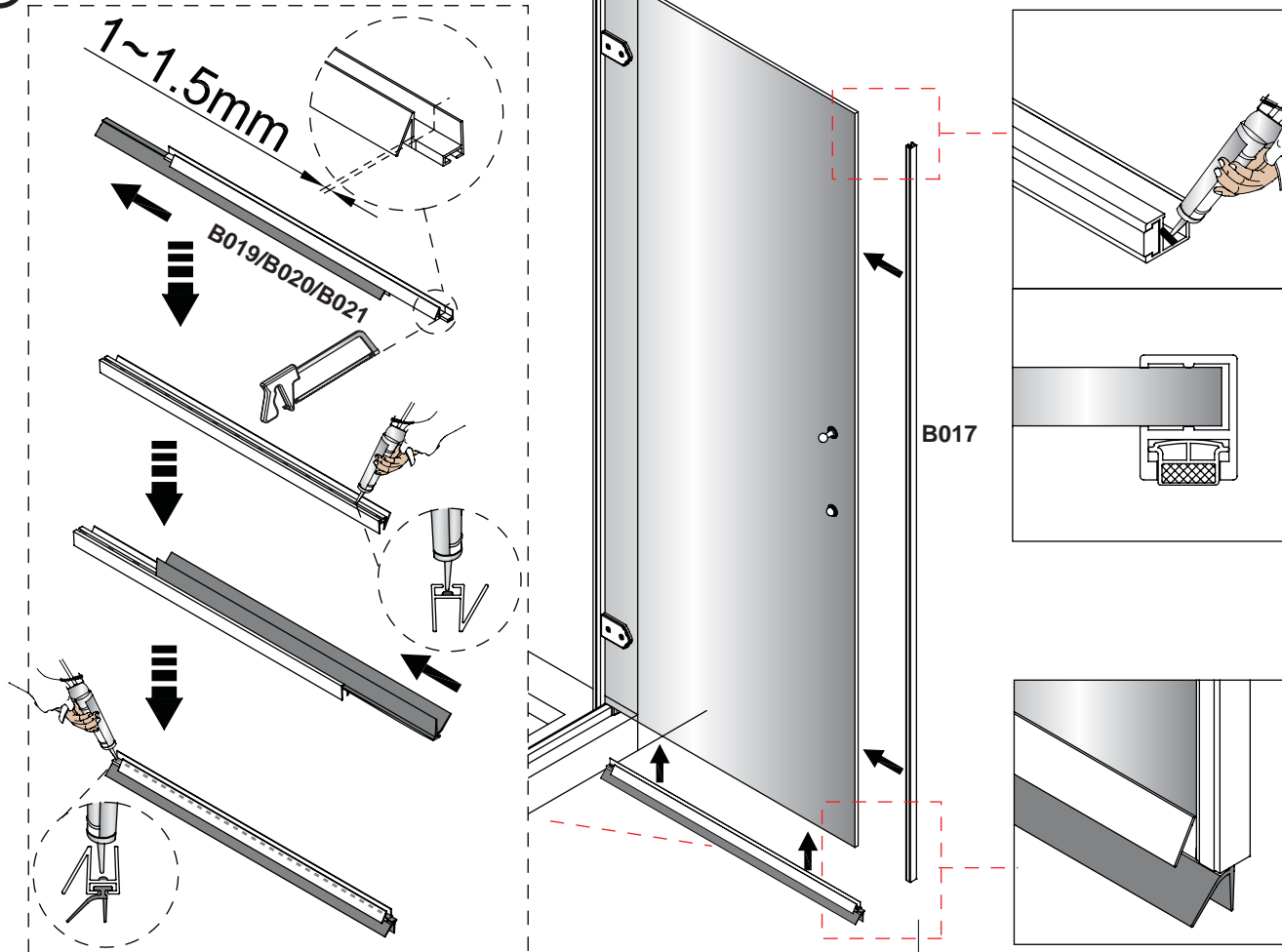


⑤



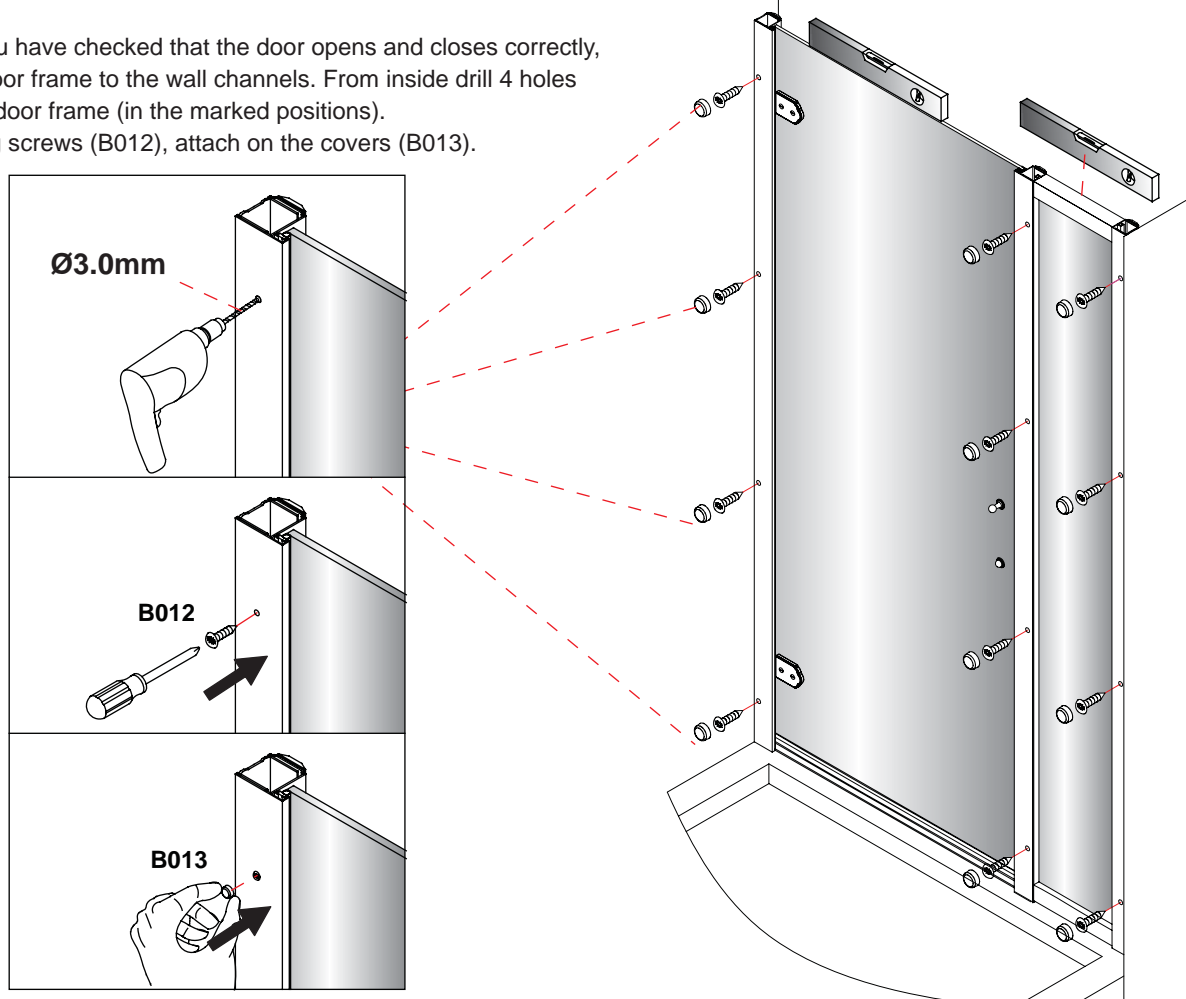
\* Please note when cutting parts B019/B20/B21 a sharp fine tooth hacksaw should be used.

⑥



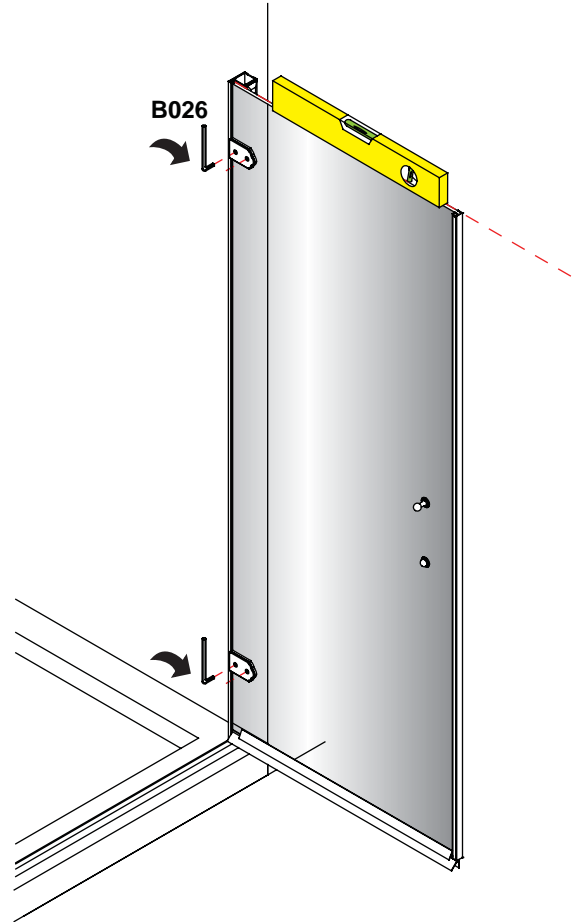
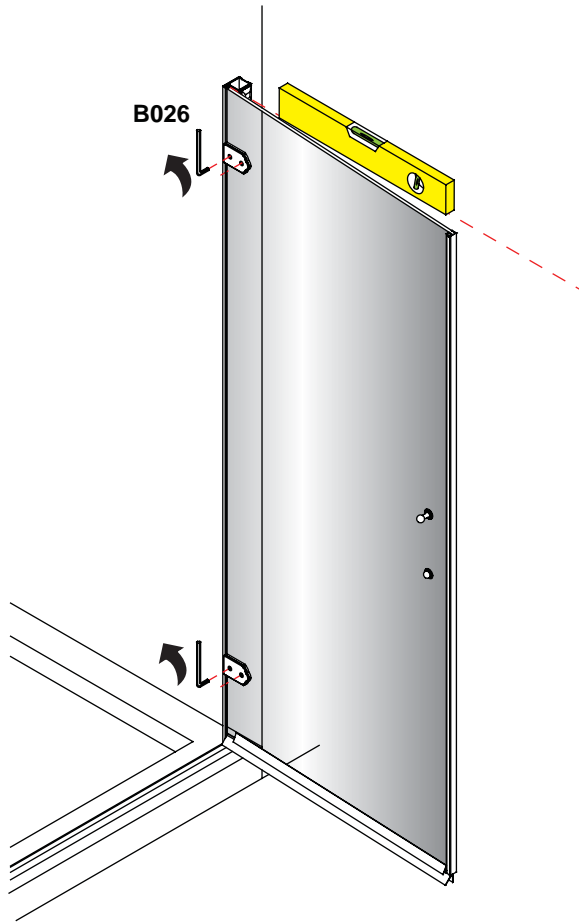
⑦

Once you have checked that the door opens and closes correctly, fix the door frame to the wall channels. From inside drill 4 holes through door frame (in the marked positions). Fix using screws (B012), attach on the covers (B013).

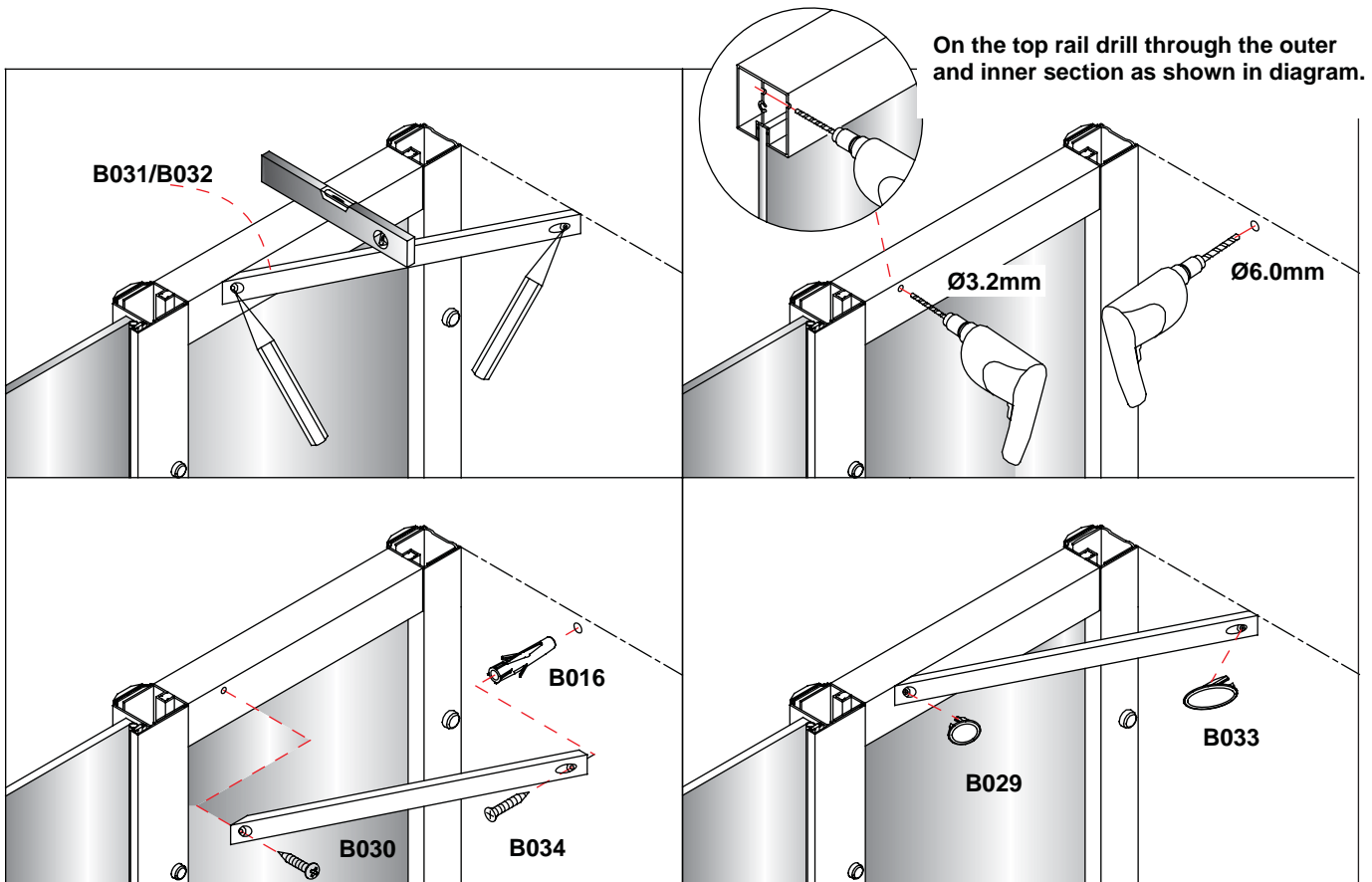




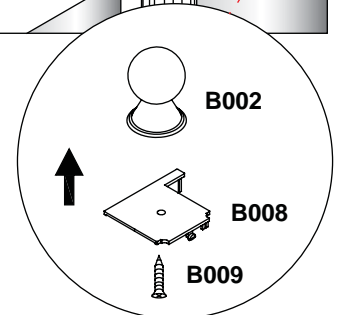
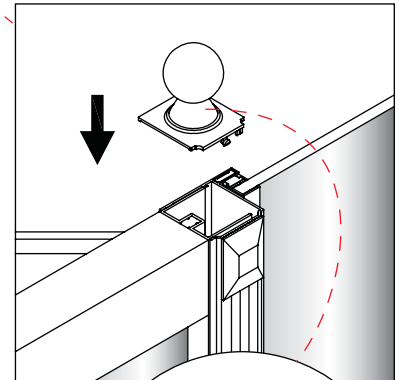
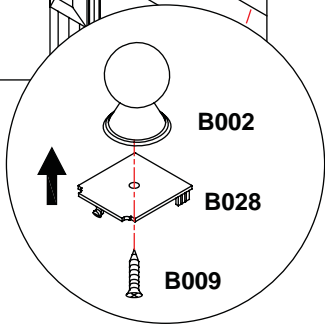
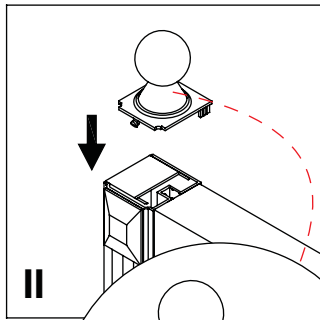
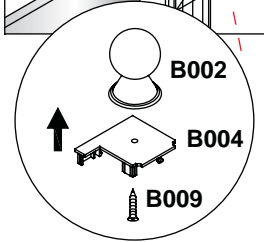
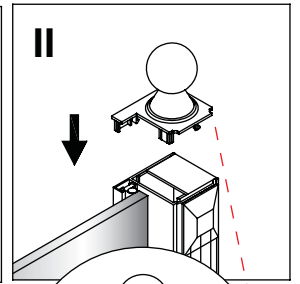
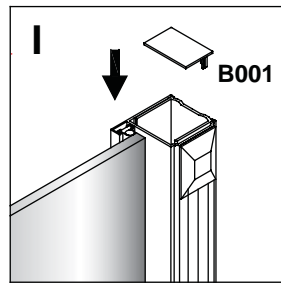
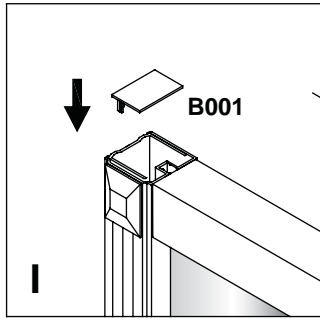
Only if adjustment is required.



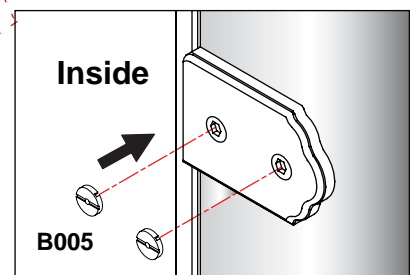
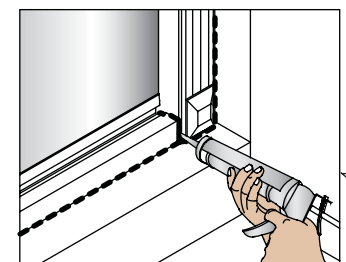
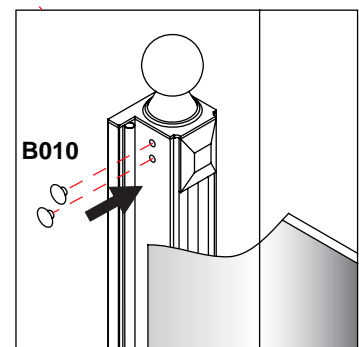
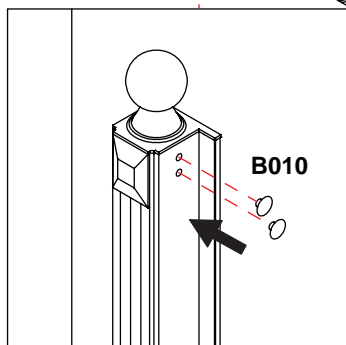
8



9



10



Hinged Door and Inline Panel Installation Complete



# Hinged Door and Inline Panel with Side Panel (Pages 11 - 16)

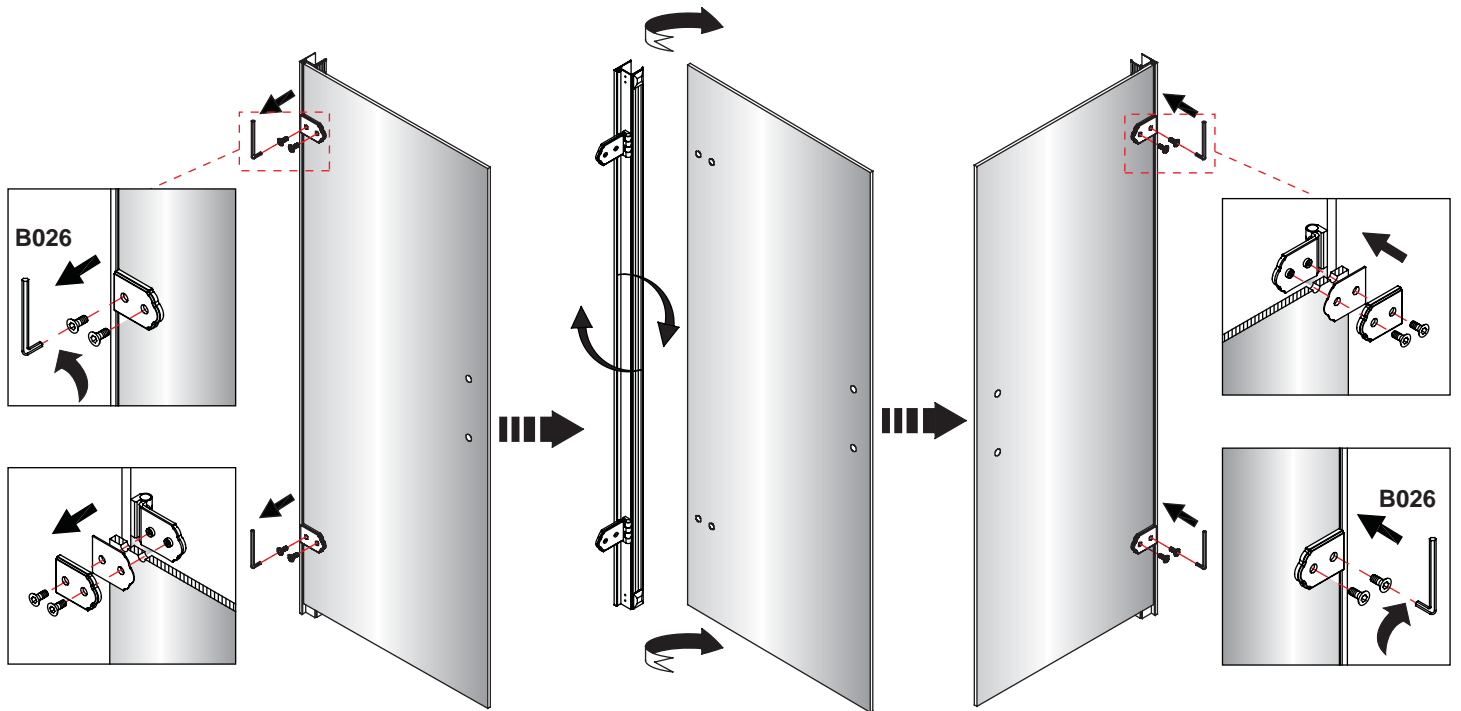


The hinged door is supplied for Right Handed installation. For Left Handed installation please loosen the hinges and reverse the glass as shown below.

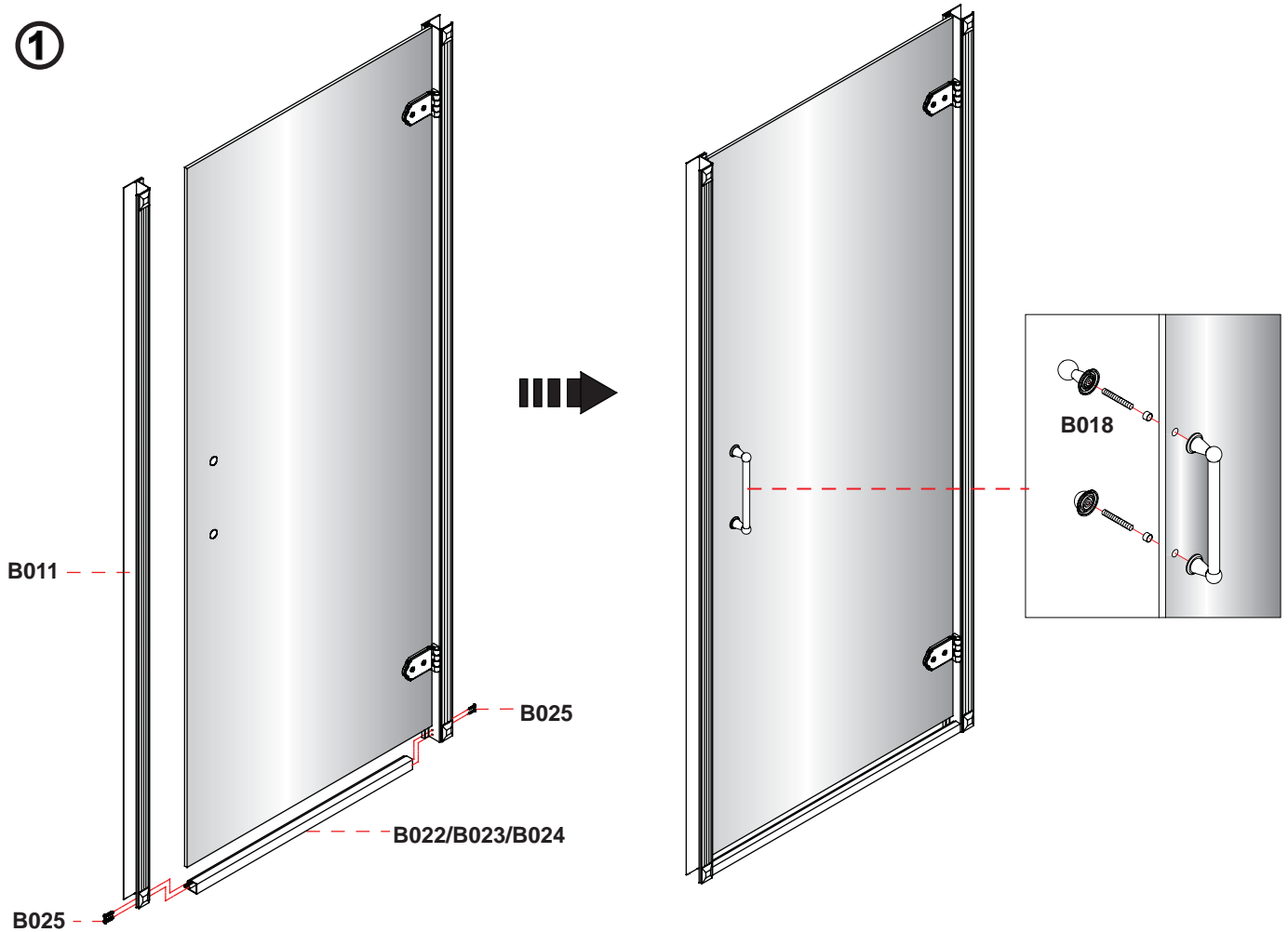
Right Hand



Left Hand



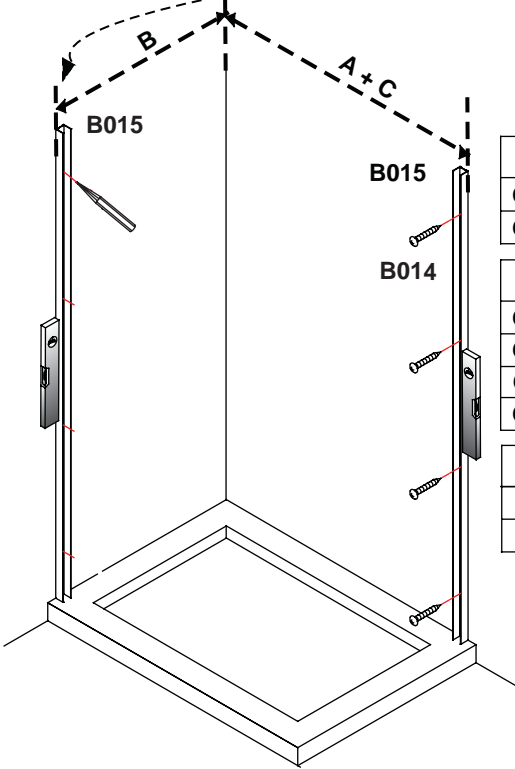
①



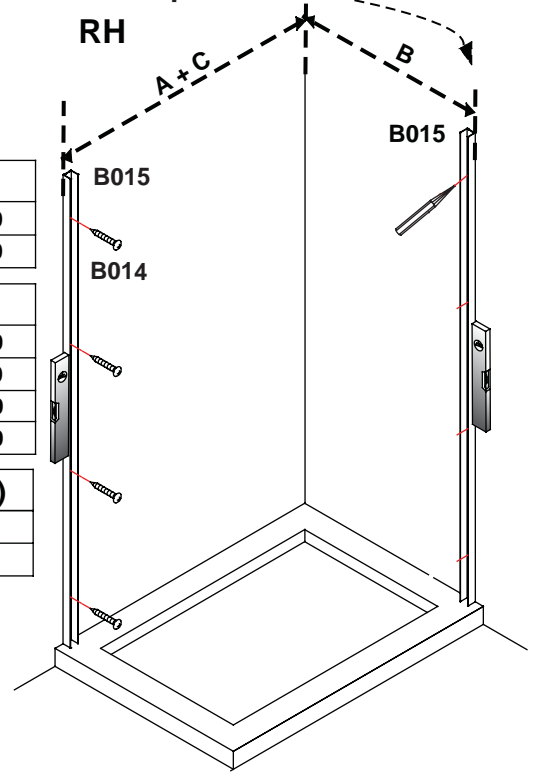
At this step the wall profile on the hinged side should not be fixed to the wall, and should be done at step 5.

②

LH



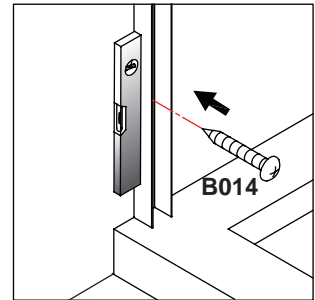
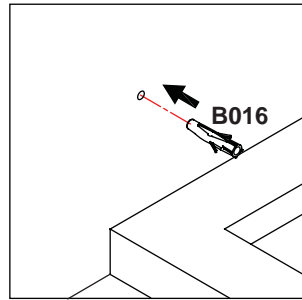
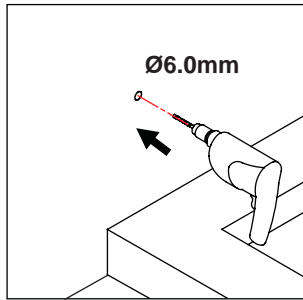
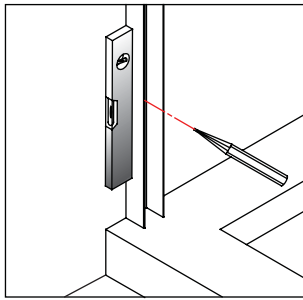
RH



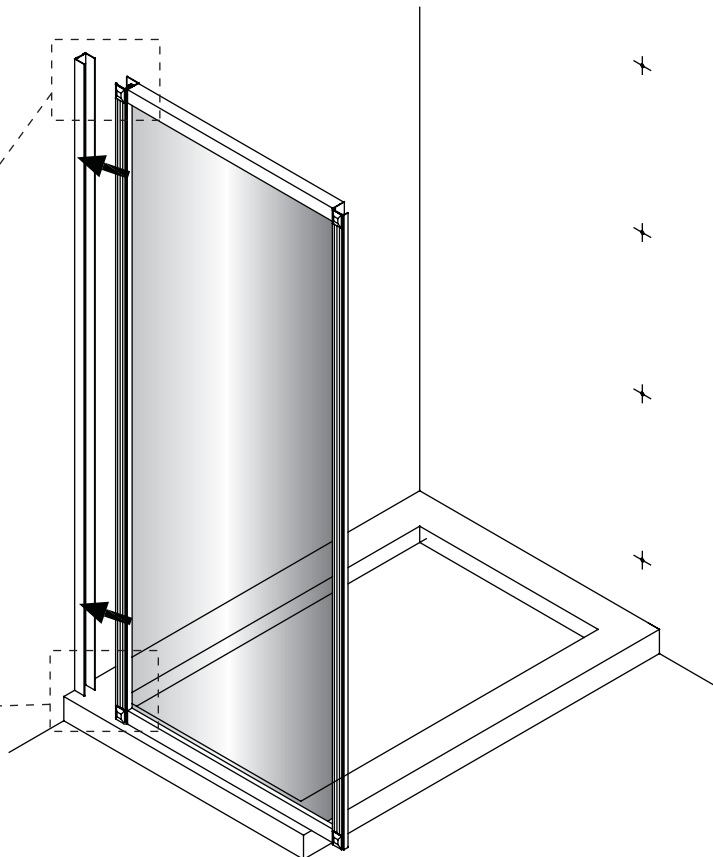
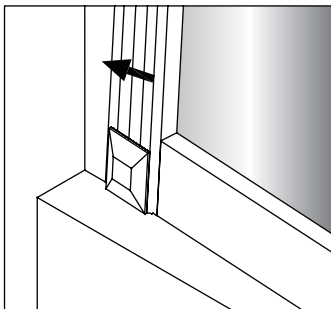
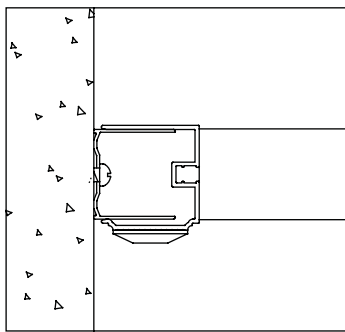
Item	A (mm)
C20 800 Hinged door	760 ~ 780
C21 900 Hinged door	860 ~ 880

Item	B (mm)
C11 700 Side Panel	660 ~ 680
C12 760 Side Panel	720 ~ 740
C13 800 Side Panel	760 ~ 780
C14 900 Side Panel	860 ~ 880

Item	C (mm)
C15 200 Inline Panel	200
C16 300 Inline Panel	300

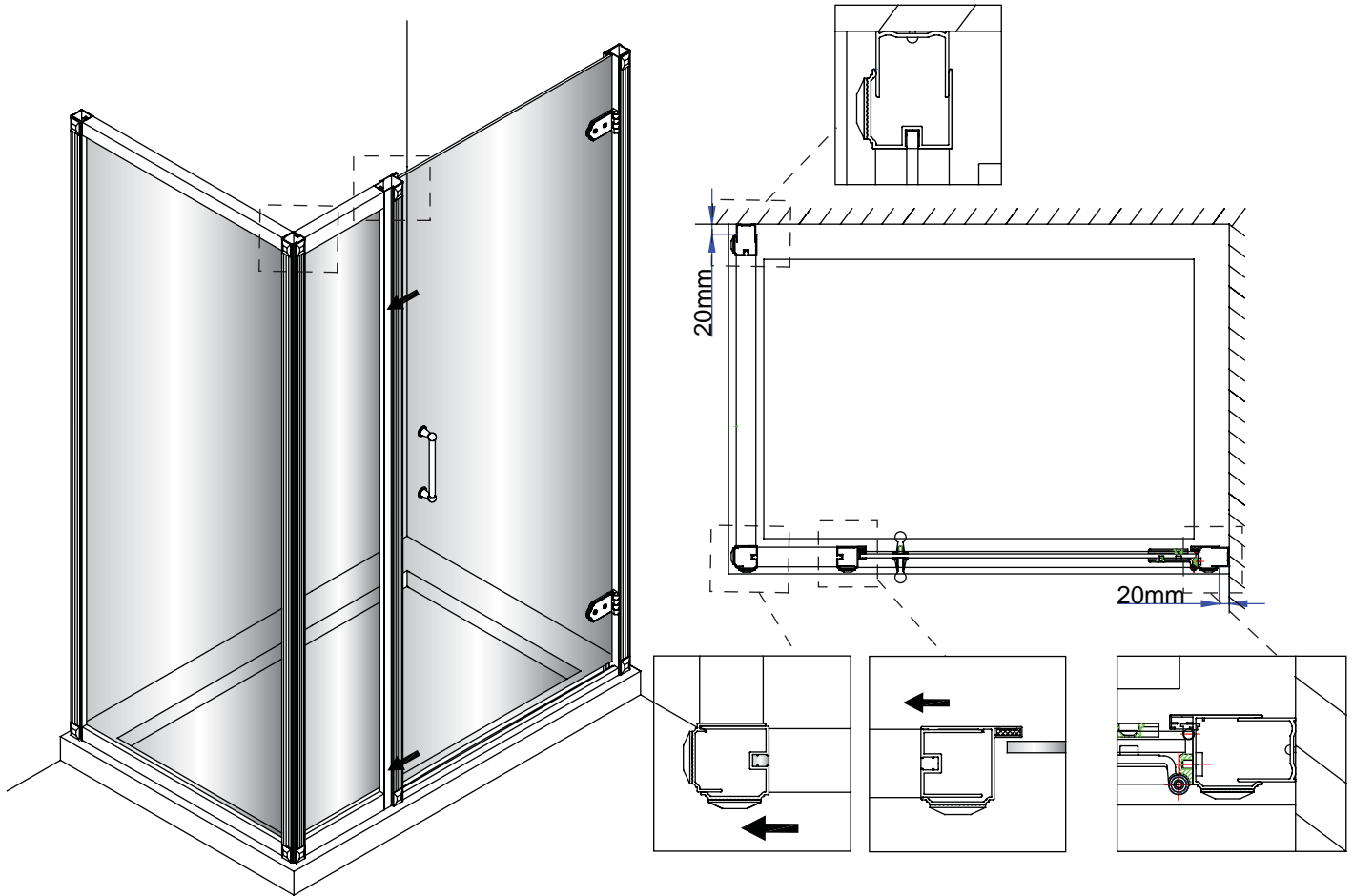


③

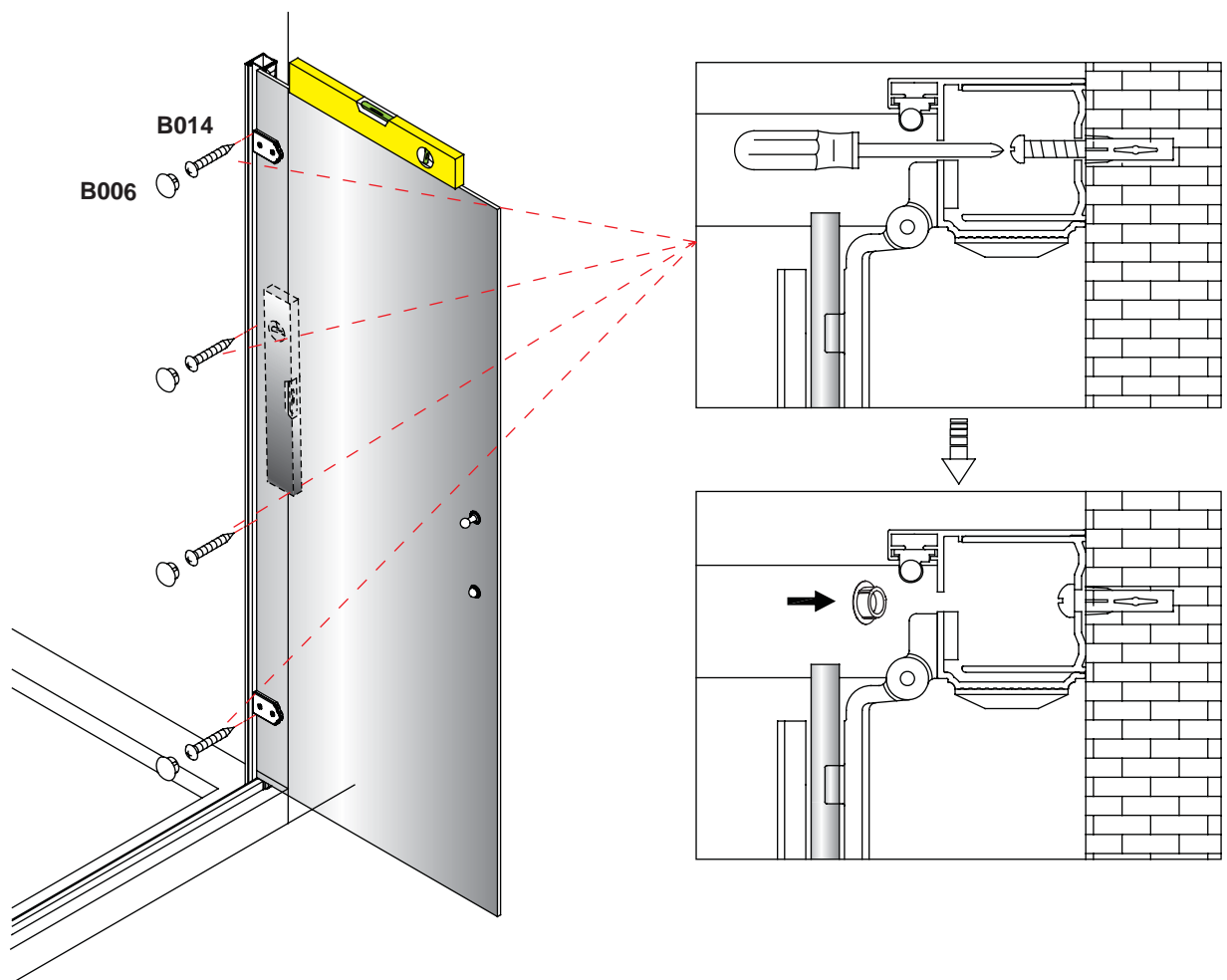


④

- Inline panel should be totally fitted within side panel and door profiles.
- Any adjustment required, can be gained from the wall profiles only.

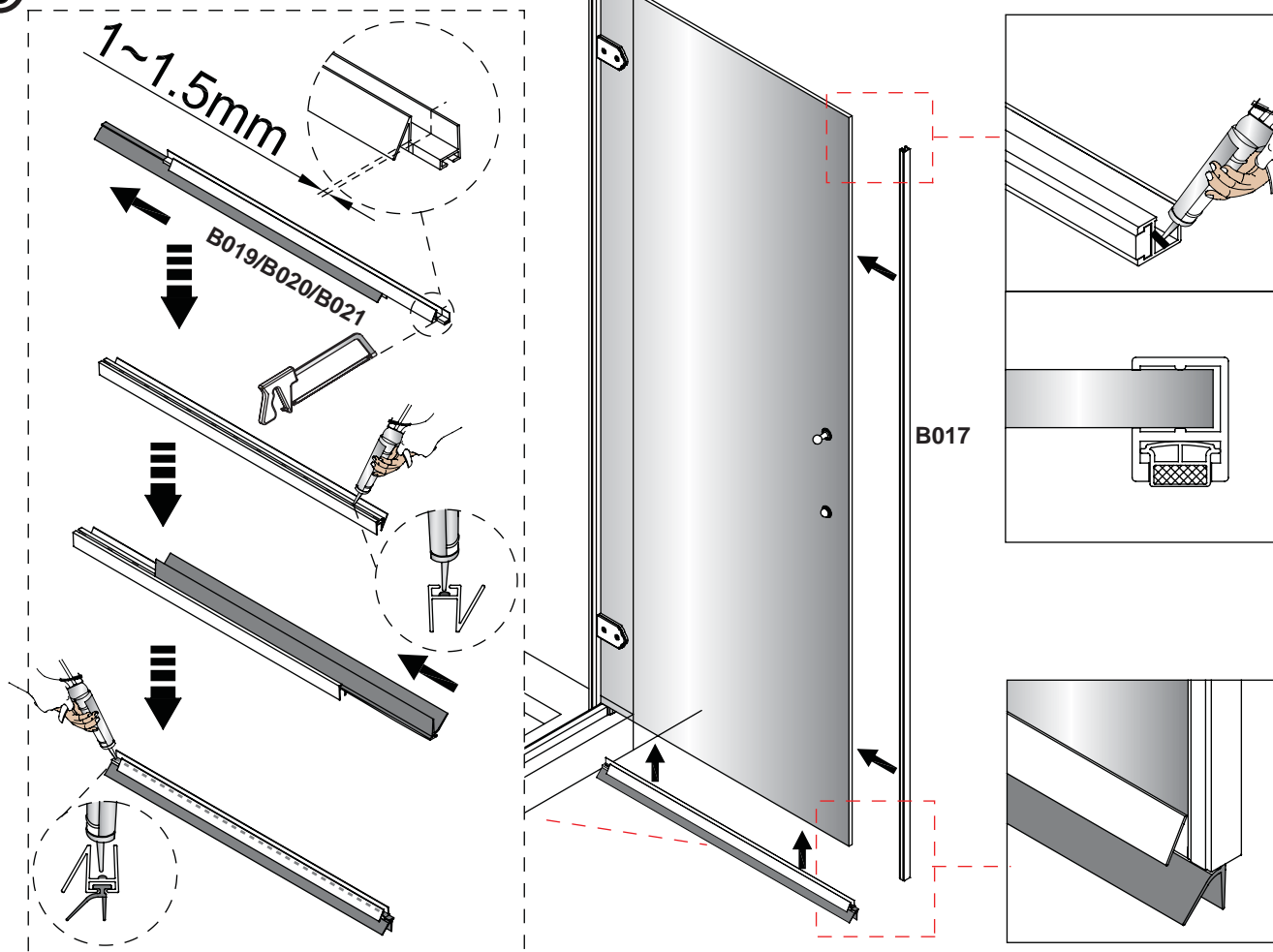


⑤

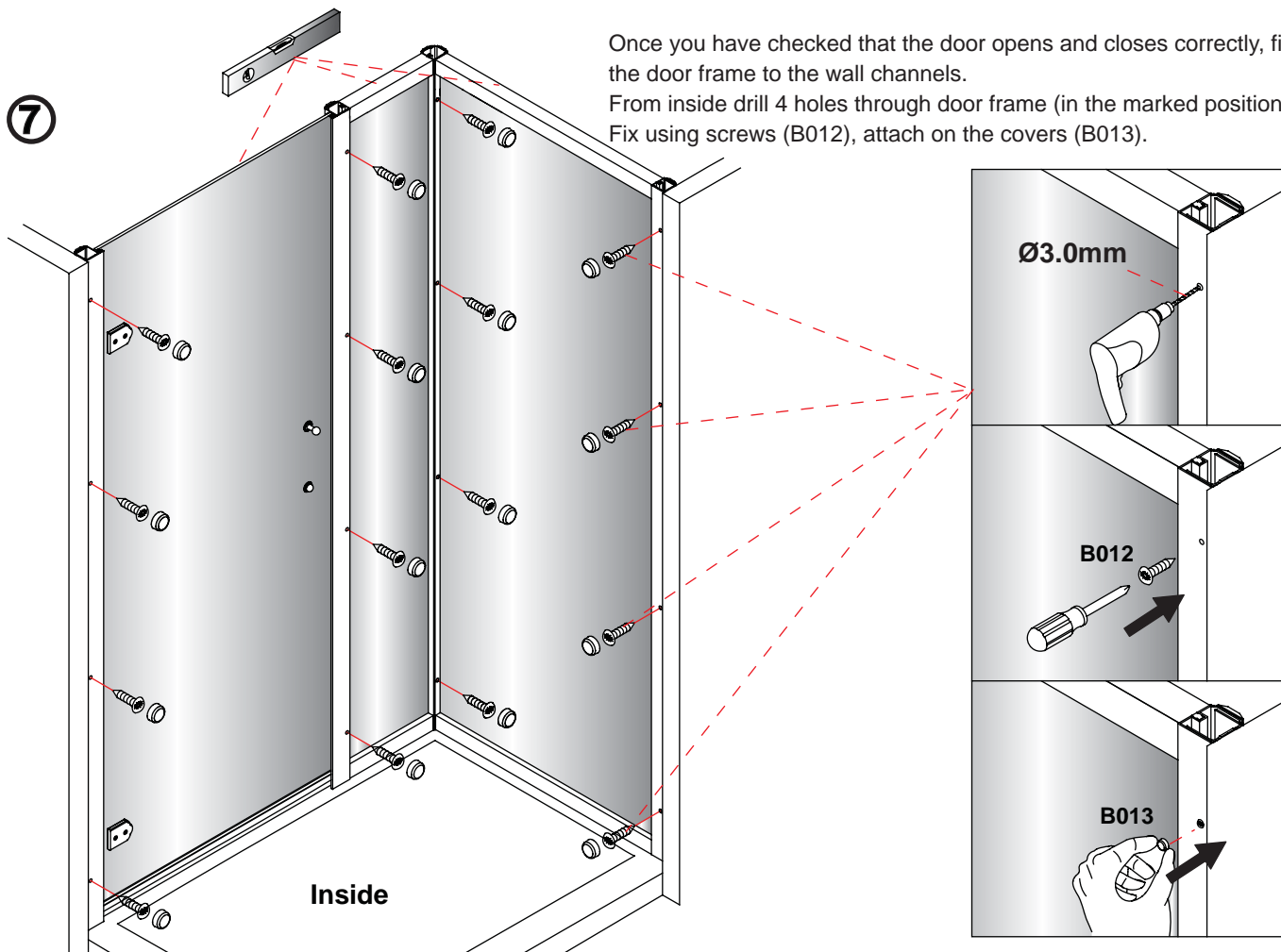


\* Please note when cutting parts B019/B20/B21 a sharp fine tooth hacksaw should be used.

⑥



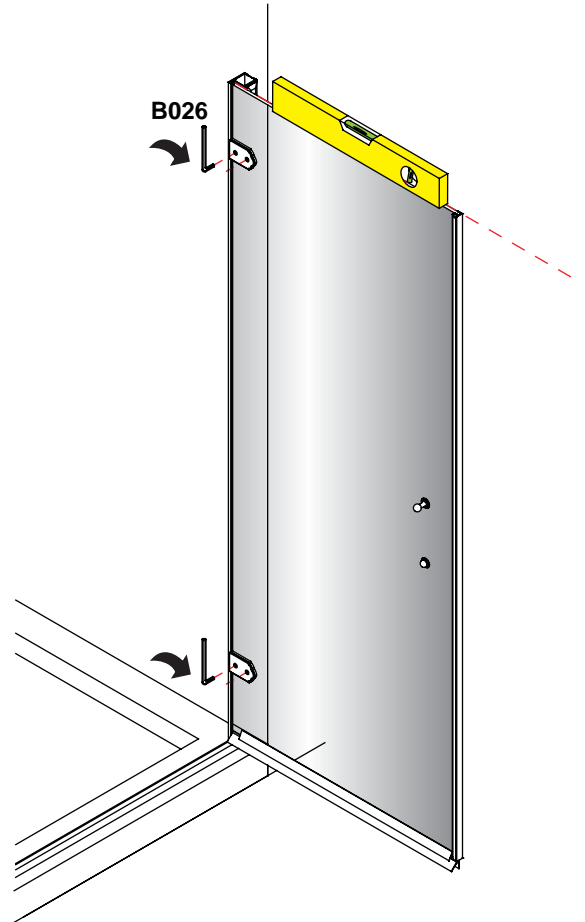
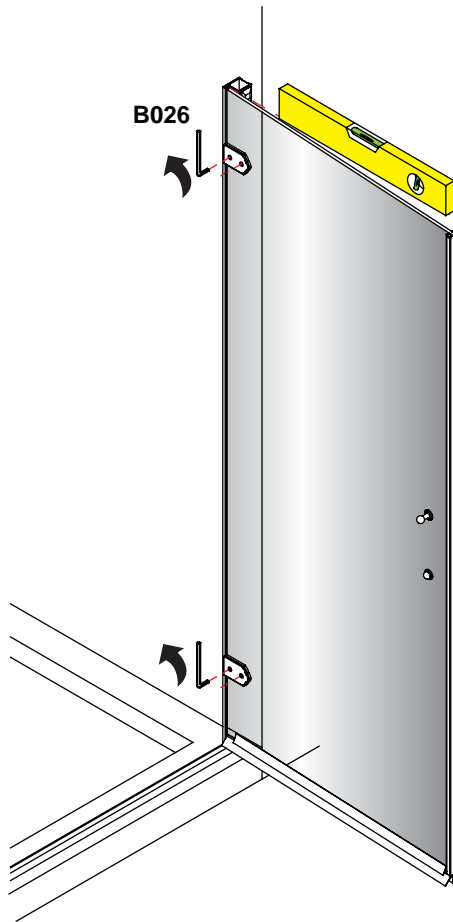
⑦



Once you have checked that the door opens and closes correctly, fix the door frame to the wall channels.  
From inside drill 4 holes through door frame (in the marked positions)  
Fix using screws (B012), attach on the covers (B013).

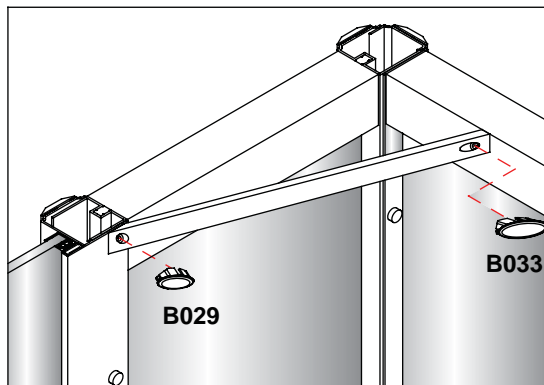
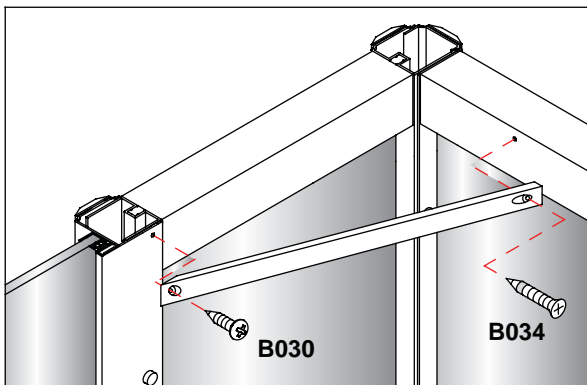
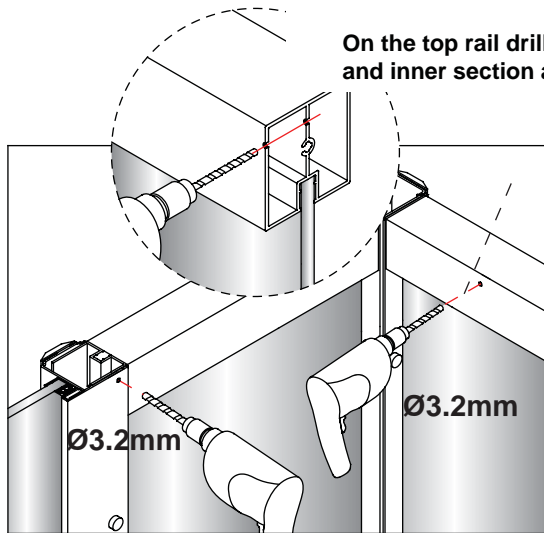
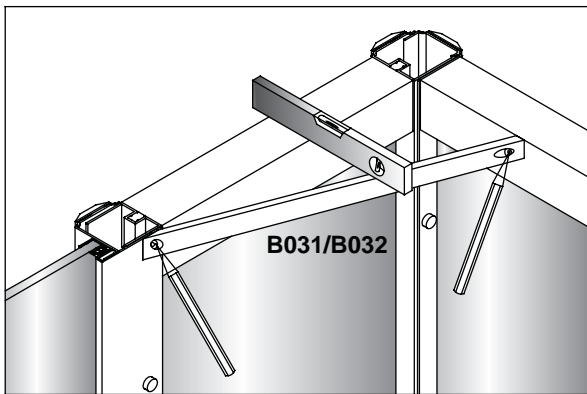


Only if adjustment is required.

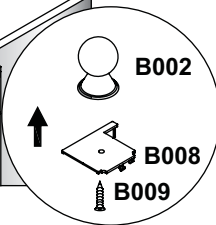
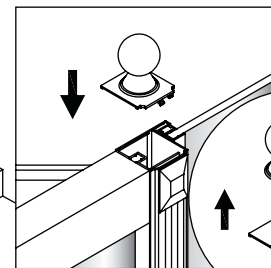
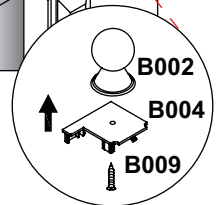
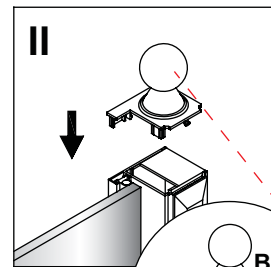
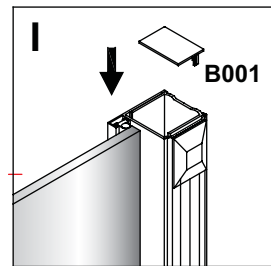
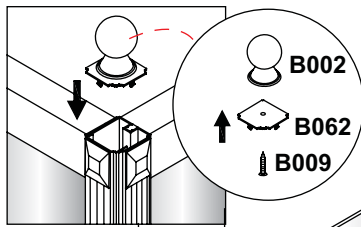
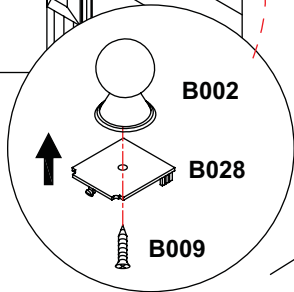
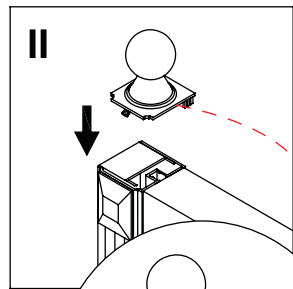
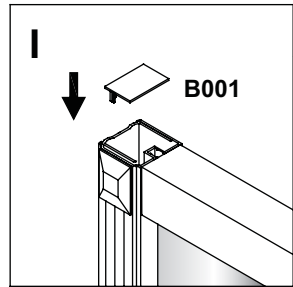


8

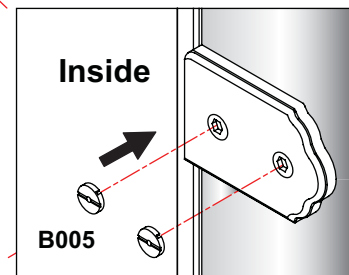
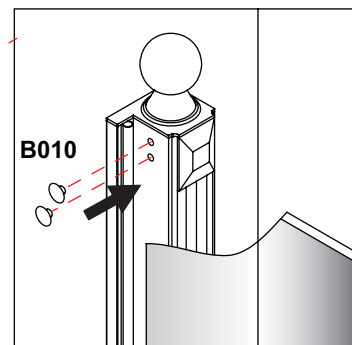
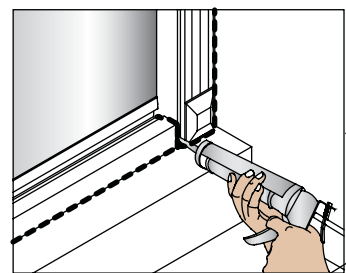
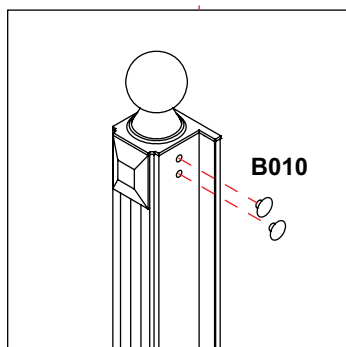
On the top rail drill through the outer and inner section as shown in diagram.



9



10



Hinged Door and Inline Panel with Side Panel Installation Complete