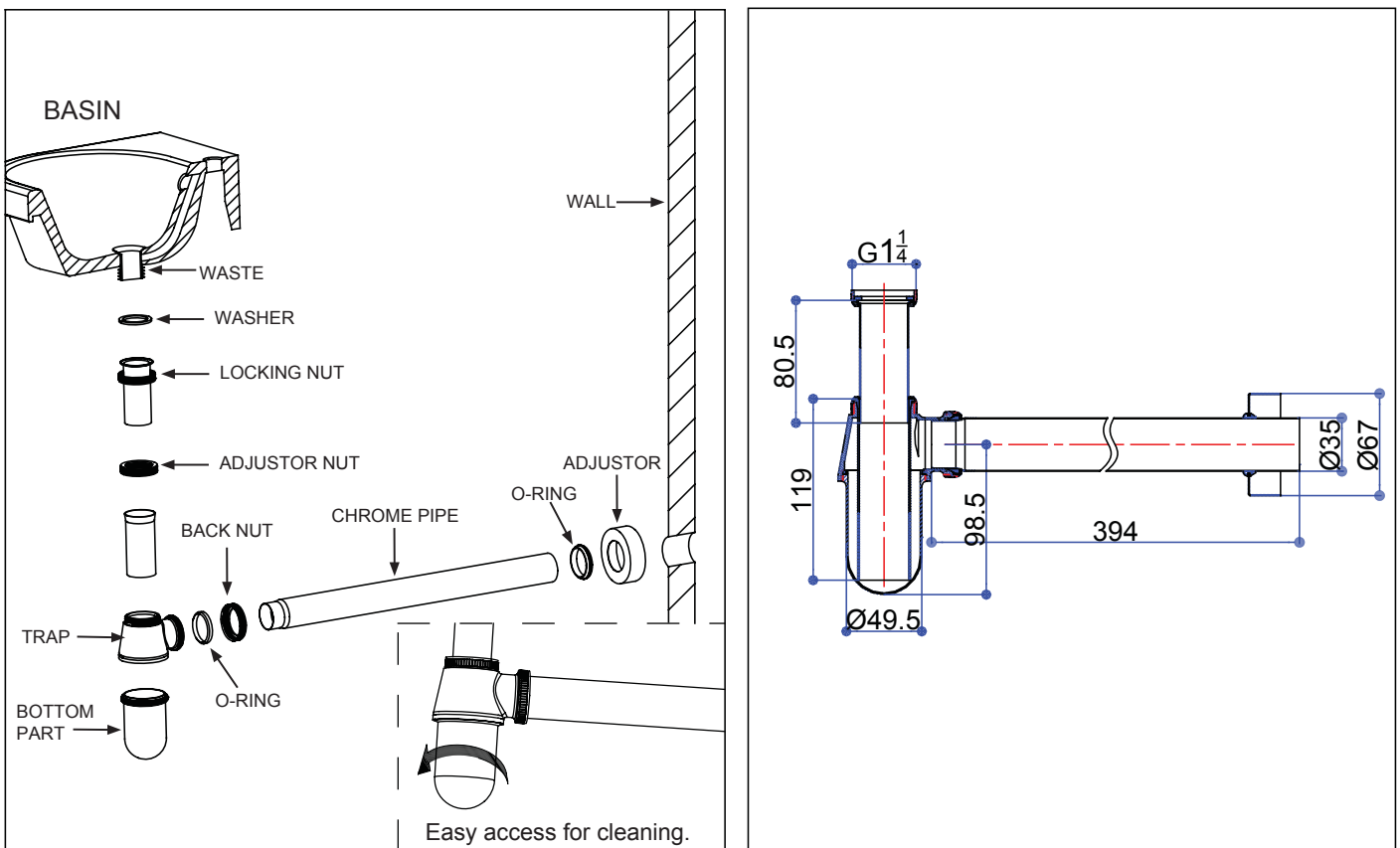


INSTALLATION INSTRUCTIONS

Round bottom basin bottle trap - W14

Important

- We recommend that this product is installed by a qualified professional contractor. Such as a plumber who is certified by NVQ (National Vocational Qualification) or SNVQ (Scottish National Vocational Qualification) Level 3
- Please check this product immediately to ensure that it has not been damaged and is complete. Before installation, please make sure this product is the correct model and you have all the parts required for installation and using.
- Please read these instructions carefully and keep it for future reference.



Installation

1. Lubricate the o-rings of adaptor with silicon based grease.
2. Cut the tube not supplied protruding through the wall to length required for adaptor to finish against wall.
3. Slide adaptor over the tube.
4. Place basin trap under basin waste and tighten locking nut to basin waste.
5. Loosen adjustor nut and adjust height of trap so that the back water exit is in position to allow for around 5 degree fall back to the wall , then tighten locking nut.
6. Cut chrome pipe to length required to fit between the back of the basin trap and the adaptor.
7. Remove basin trap from basin waste.
8. Push and twist chrome pipe fully into adaptor
9. Loosen back nut and remove the o-ring. Then place this nut and o-ring over the end of chrome pipe
10. Slide the back water exit of the basin trap over the chrome pipe, then slide back nut and o-ring into position and tighten.
11. Place the locking nut to the basin waste and tighten.

Maintenance

We do NOT recommend you use any household cleaners to clean the product. Because these cleaners change substance or formula too frequently. The product should be always cleaned only with soapy water and rinsed with clean water and dried with a soft cloth.