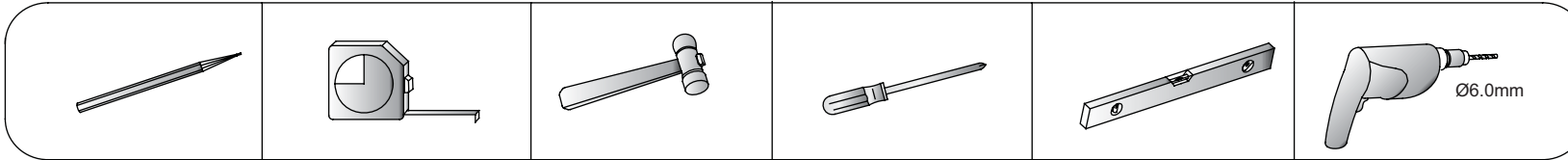
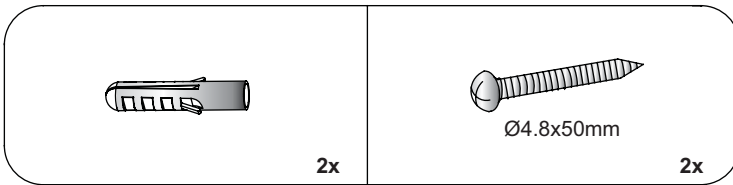


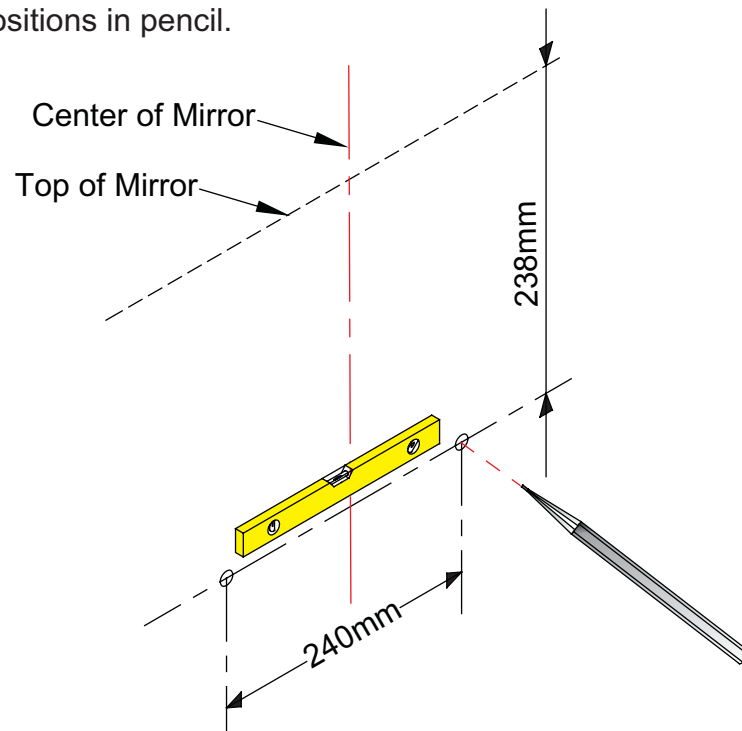
Tools required:



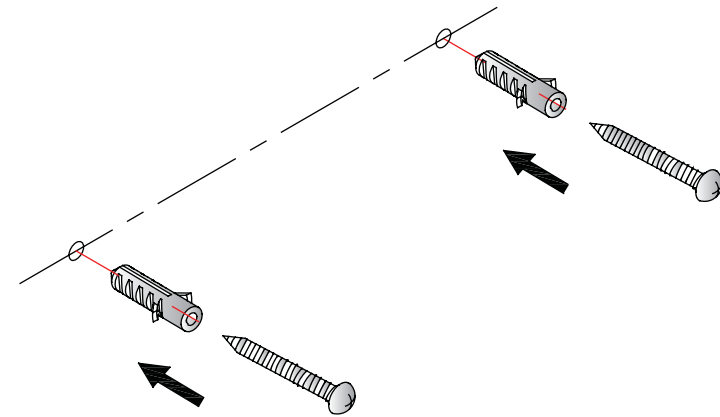
Parts supplied:



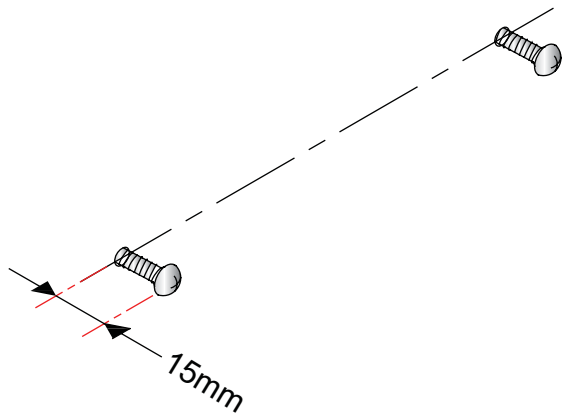
① Determine the final installation position, mark the fixing hole positions in pencil.



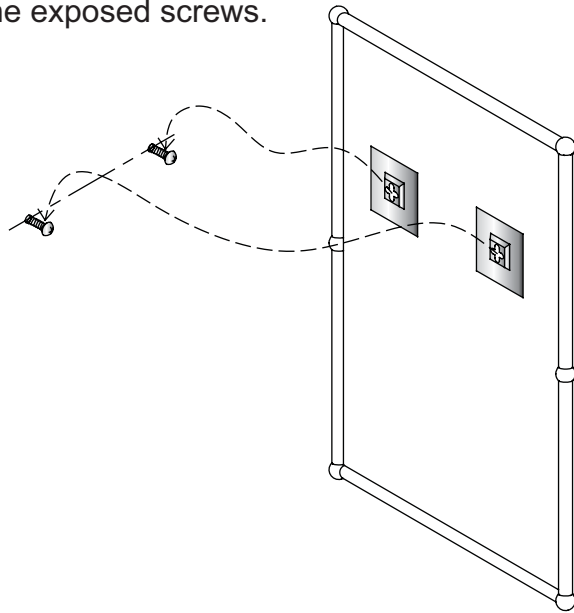
② Using a 6mm drill bit, drill holes on the marked positions. (note: In the event that the wall / floor fixings supplied being inappropriate for the wall / floor, please source alternatives).



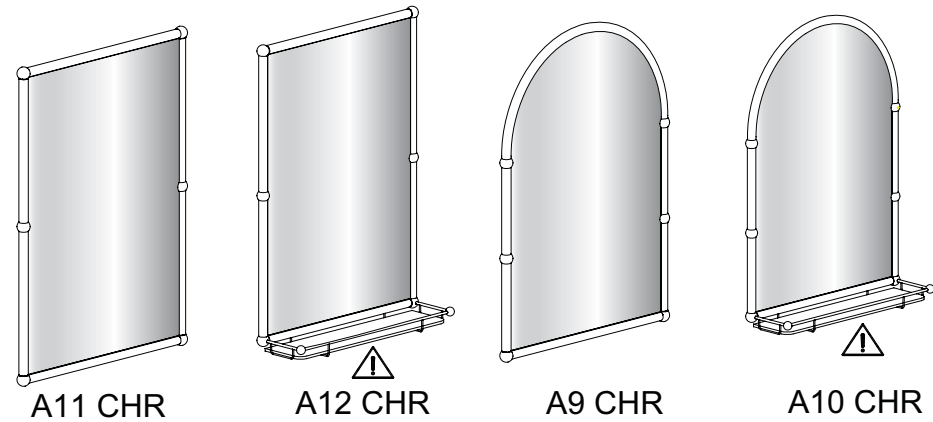
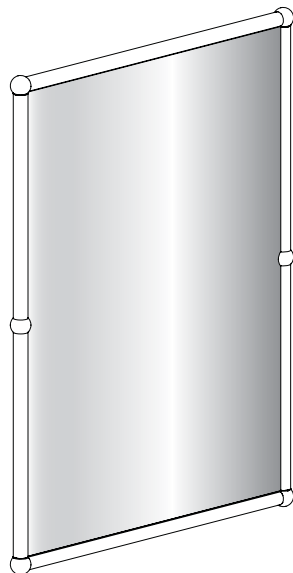
3 Keep the stainless screw exposed 15mm outside the wall.



4 Mount the mirror onto the wall by hanging the bracket of mirror onto the exposed screws.



5 Check that it is stable. If not please readjust the exposed length of screws .



⚠ Please note objects placed on the shelf should not exceed a combined weight of 5kg.