

Fitting Instructions

Please read instructions carefully before fitting the seat, and refer to Care Instructions for maintenance.

Fit the **Joining Bolt** into the **Hinge Plate** housing to complete the **Hinge Set** as shown in diagrams.

The **Joining Bolt** can be moved forward or backward to allow adjustment of the seat position.

Prior to fixing the seat to the pan, ensure that the hinges are adjusted correctly and that the four **Fixing Screws** are firmly tightened.

Fit the hinge and seat to pan using the **Installation Method** as shown in diagrams.

Place the **Seat Washers** onto the Hinge Plate, and insert the **Joining Bolts** through the toilet-pan fixing holes.

Secure the **Cone Washer** and **Joining Nuts** to the **Joining Bolts**, ensuring a secure final fit to the underside of the toilet-pan.

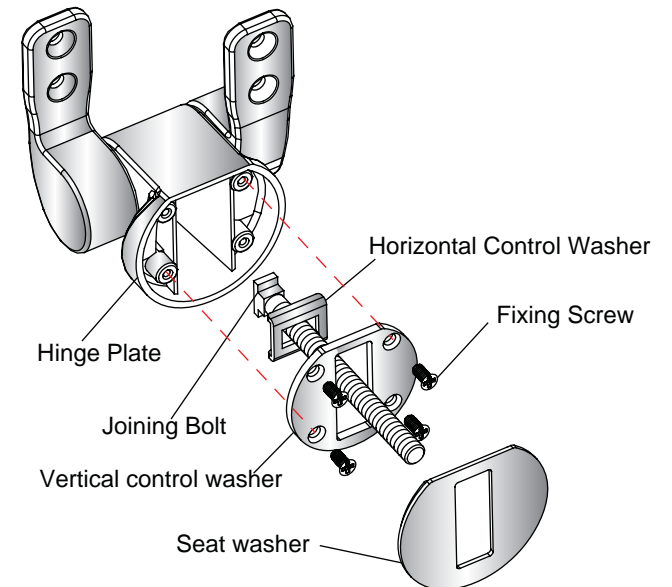
Joining Nuts must be tight otherwise the seat may move, while after a few days use further tighten **Joining Nuts** to allow for the compression of **Seat Washers** that would have occurred.

Care Instructions

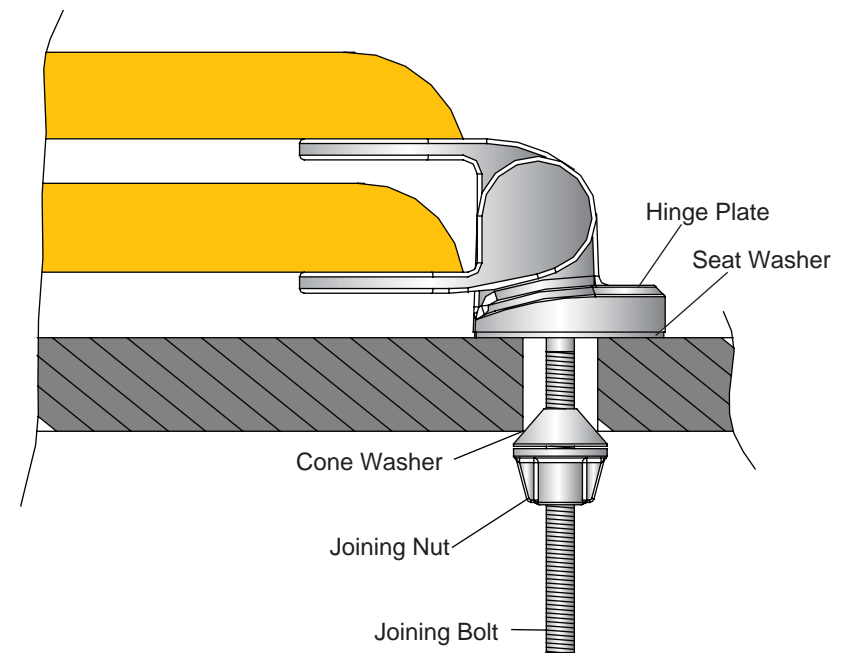
The toilet seat has been coated with a superior durable varnish, and should be treated with care.

- Surfaces should be cleaned weekly with a soft damp cloth and mild soap mixture.
- Do not scrub or use abrasive cleaning materials on the wooden surfaces or hinges.
- Do not use bleach or cleaners containing bleach.
- Polishing of the seat surfaces should not be needed, but if the owner chooses to do so then a wax free polish is advised as this does not smear.
- **IMPORTANT!** Do not stand on the lid or ring of the toilet seat; this may cause damage to your toilet-pan or toilet seat.

HINGE SET



INSTALLATION METHOD





FINISH

Your Burlington Oak or Mahogany finish toilet seat is made from solid wood with the ring cross grained for extra strength and then sealed. As with all wood products small blemishes, dints and/or marks are expected – it's the sign of natural materials as opposed to fabricated wood finishes.

CLEANING – for Golden Oak, Mahogany & white finished seats

DO NOT USE ANY TYPE OF ABRASIVE CLEANER, BLEACH or CLEANERS CONTAINING BLEACH; this will destroy the sealed finish on the seat. Clean with soft damp cloth and mild soap mixture weekly. Polishing the seat should not be needed, but if you do a wax free polish is advised as this does not smear.

As with all toilets seats: If you use bleaches and strong cleaners in the pan **DO NOT LEAVE THE SEAT CLOSED** whilst the cleaner acts on the pan – the fumes from bleaches & cleaners may destroy and/or discolour the finish on the seat.

