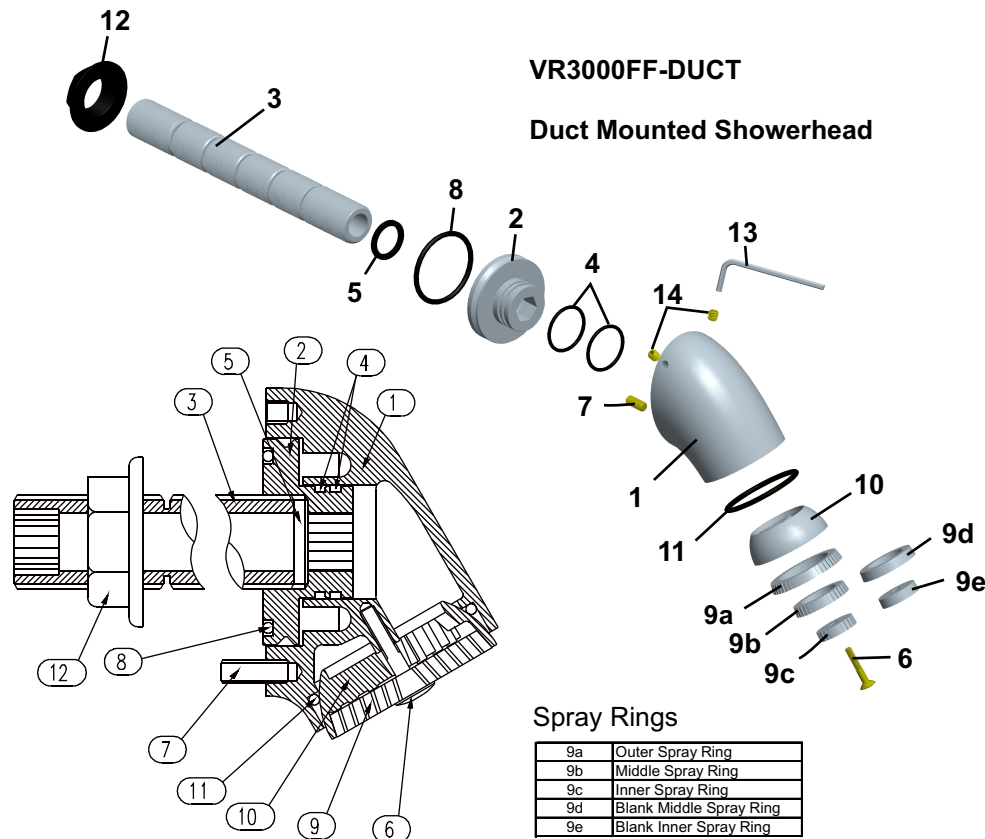


Installation Instructions



Installation

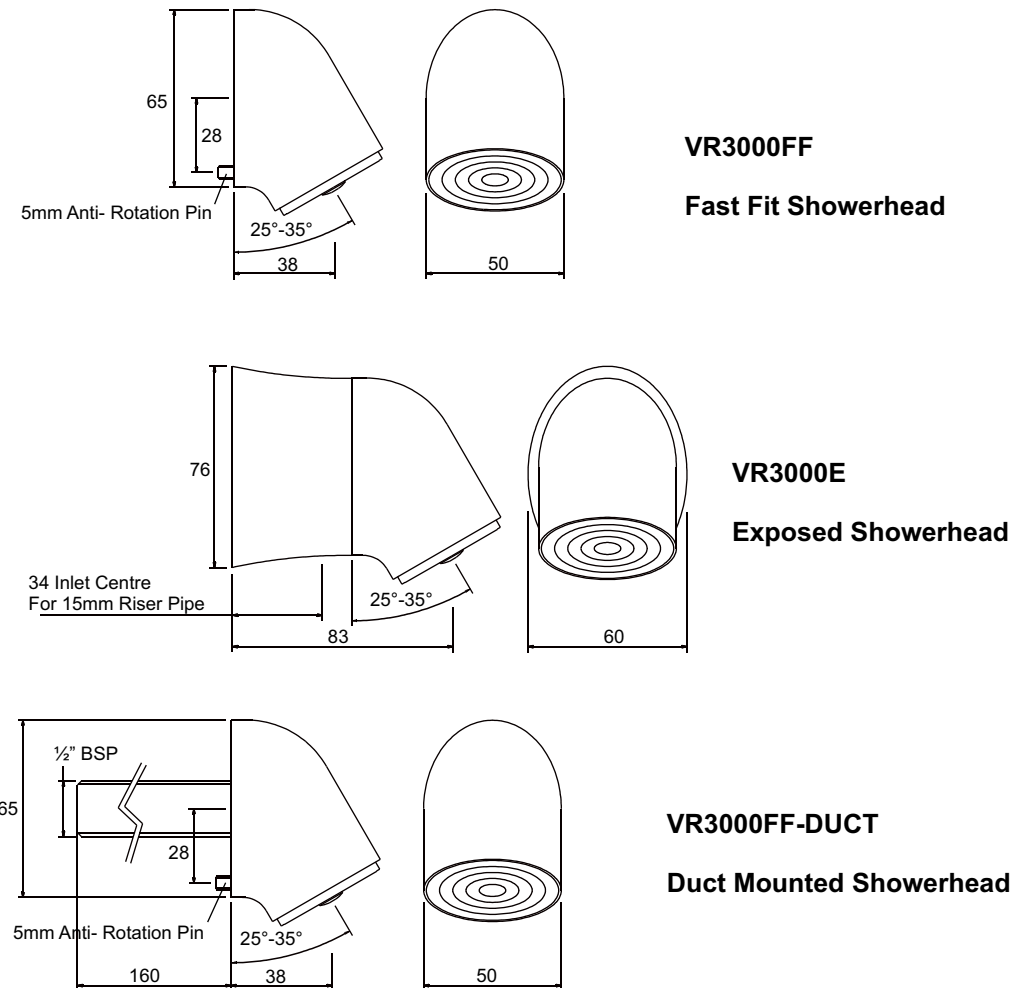
1. Determine the length of the Shower Head Tail(3) and cut to appropriate length. (**NOTE: ONLY CUT THE SHOWER HEAD TAIL THROUGH RECESSES PROVIDED**)
2. Mark position of Shower Head Inlet Tail(3) and drill hole.
3. Ensuring that the Shower Head Tail(3) is affixed to Front Plate(2) and Sealed with Sealing Washer(5). Locate O'ring(8) into the recess on the back of Front Plate(2) , thread the Shower Head Tail assembly through the hole and secure with Backnut(12).
4. Ensure O'rings(4) are placed on Front Plate(2)
5. Slide Shower Head Assembly onto Front Plate(2), and mark position of the anti rotation pin(7) on the wall Ensuring the showerhead is vertical.
6. Remove the Showerhead and drill a 6mm diameter hole for the anti rotation pin(7).
7. Replace Showerhead assembly onto the Front Plate(2) . When located against the wall secure with Grubscrews(14).
8. Connect water supply to Shower Head Tail(3) ensuring a water tight seal is created.

Spray Pattern

The Showerhead spray pattern can be changed depending on the particular requirement by changing the middle and or inner spray rings (9b & 9c) with the blanking spray rings (9d & 9e).

Spray Ring Adjustment

The angle of the spray pattern can be adjusted between 25 and 35 degrees by loosening Screw(6) , Adjusting the angle of the spray rings and tightening the Screw(6) to lock in position.

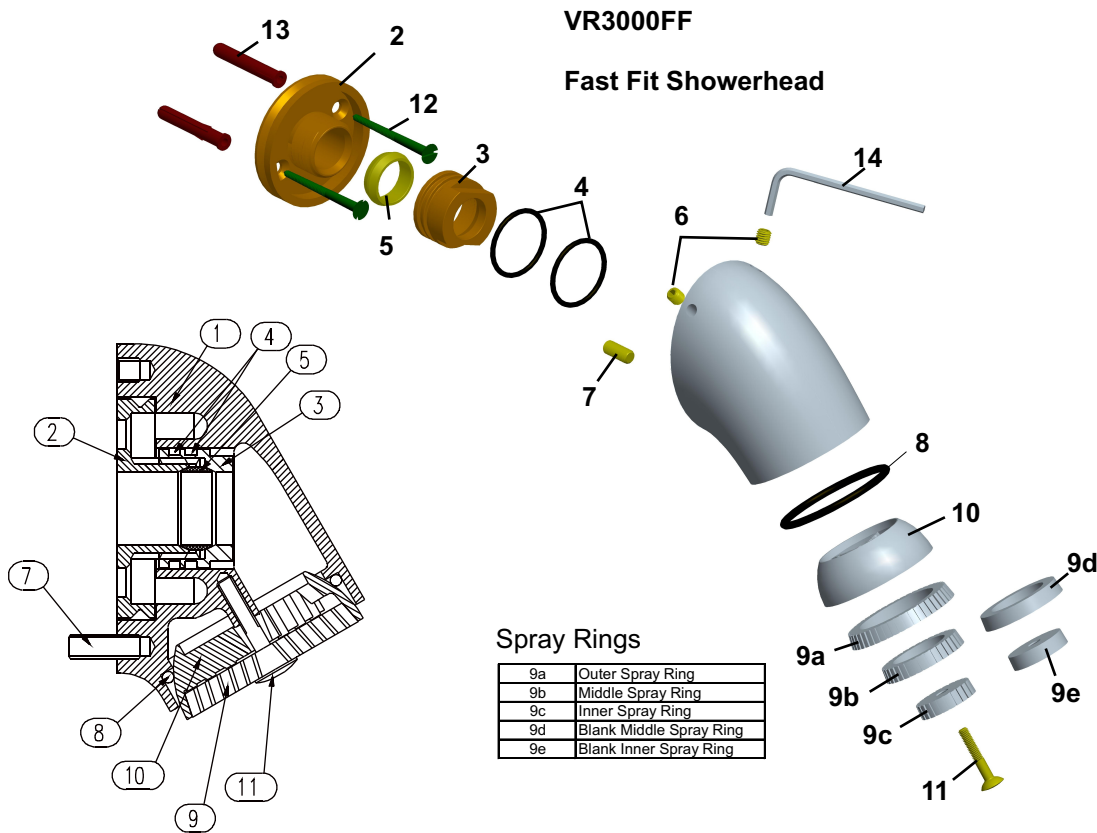


Bristan Group Ltd
Birch Coppice Business Park
Dordon
Tamworth
Staffordshire
B78 1SG
T: 0844 7016274
E: customercare@bristan.com

OPERATING PRESSURE

Minimum Working Pressure 0.1bar
Maximum Working Pressure 4 bar

For minimum working pressure you may be required to change the spray rings fitted with the blanc rings to ensure a full spray pattern



Installation

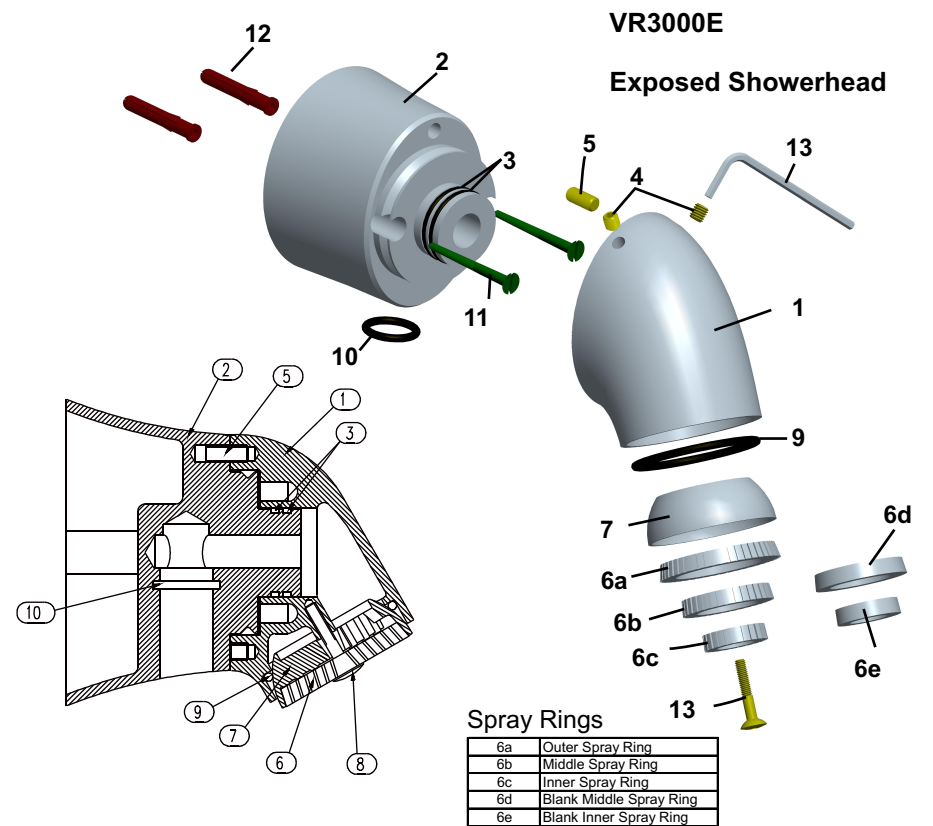
- 1 Determine the position of the inlet pipe and ensure there is 30mm of pipe protruding from mounting surface.
2. Slide Wall Plate(2) over the inlet pipe and mark position of fixing holes. Remove Wall Plate(2) , drill and plug Wall in positions marked. Replace Wall plate(2) onto inlet pipe and fix with Screws(12).
3. Slide Olive(5) onto inlet pipe, Take Sealing Nut(3) and tighten onto Wall Plate(2) creating a water tight seal With Olive(5).
4. Remove any excess inlet pipe which protrudes beyond the end of Sealing Nut(3)
5. Ensure O'rings(4) are placed on Sealing Nut(3)
6. Slide Shower Head Assembly onto Sealing Nut(3) and mark position of the anti rotation pin(7) on the wall Ensuring the showerhead is vertical.
7. Remove the Showerhead and drill 6mm diameter hole for the anti rotation pin(7).
8. Replace Showerhead assembly onto the Sealing Nut(3) . When located against the wall secure with Grubscrews(6).

Spray Pattern

The Showerhead spray pattern can be changed depending on the particular requirement by changing the middle and or inner spray rings (9b & 9c) with the blanking spray rings (9d & 9e).

Spray Ring Adjustment

The angle of the spray pattern can be adjusted between 25 and 35 degrees by loosening Screw(11) , Adjusting the angle of the spray rings and tightening the Screw(11) to lock in position.



Installation

- 1 Determine the inlet orientation (Top or Bottom)
2. Ensuring O'ring(10) is located in the inlet of the Exposed Head Adaptor(2), Fit Exposed Head Adaptor onto The Inlet Pipe. Ensure pipe is fully located through O'ring(10) in Exposed Head Adaptor(2).
3. Using screw holes in Exposed Head Adaptor(2), mark fixing holes on the wall.
4. Remove Exposed Head Adaptor(2) from the inlet pipe.
5. Drill and plug holes as marked on the wall
6. Replace Exposed Head Adaptor(2) onto the inlet pipe ensuring it is correctly located onto the inlet pipe
7. Using Screws(11) , fix Exposed Head Adaptor to wall.
8. Depending on the orientation (top or bottom inlet) of Exposed Head Adaptor(2) , you may be required to change the position of the anti rotation screw (5) in Showerhead(1).
9. Ensuring O'rings(3) are assembled to Exposed Head Adaptor(2) , Push Shower Head Assembly onto Exposed Head Adaptor(2) and secure with Grubscrews(4).

Spray Pattern

The Showerhead spray pattern can be changed depending on the particular requirement by changing the middle and or inner spray rings (6b & 6c) with the blanking spray rings (6d & 6e).

Spray Ring Adjustment

The angle of the spray pattern can be adjusted between 25 and 35 degrees by loosening Screw(13) , Adjusting the angle of the spray rings and tightening the Screw(13) to lock in position.