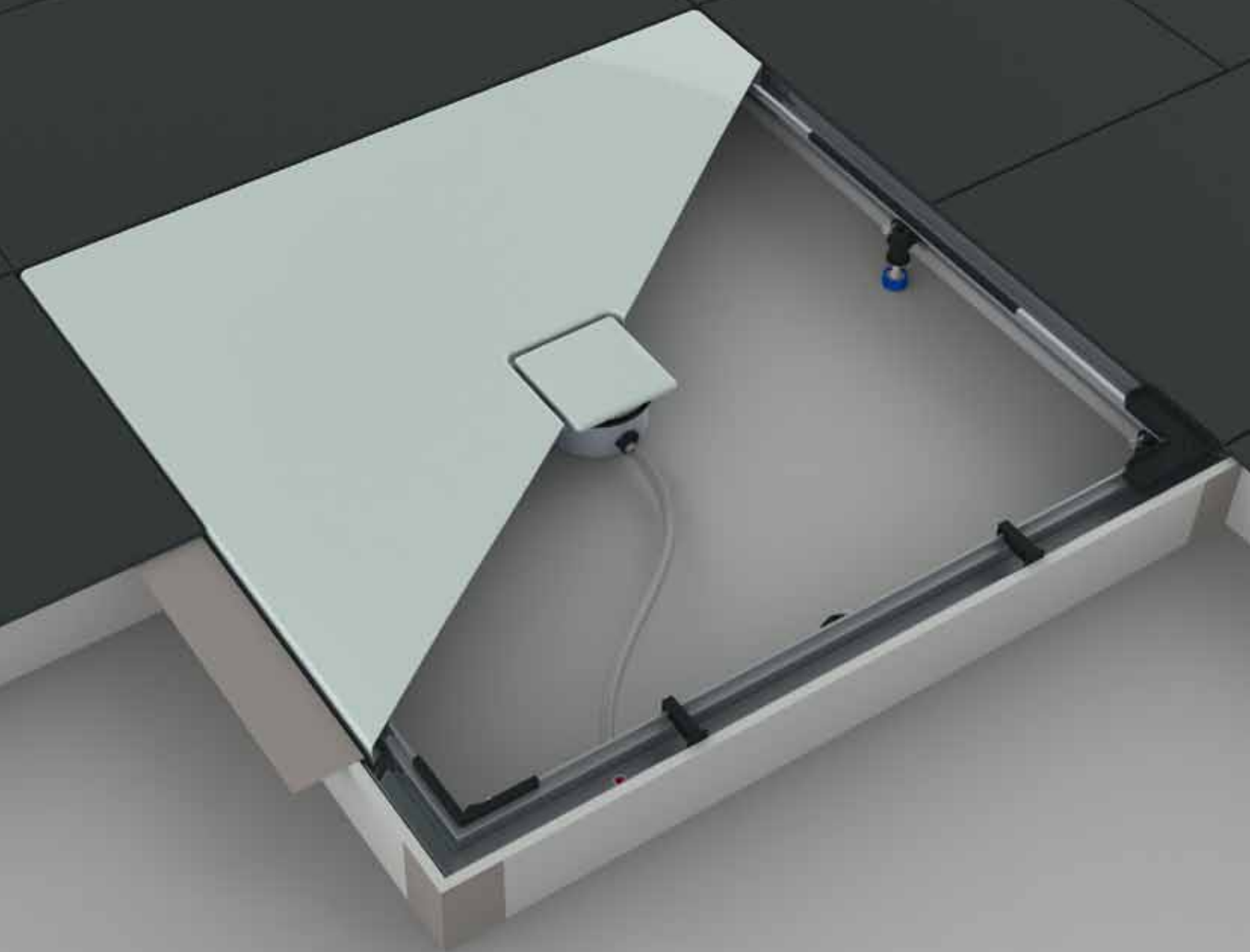


KALDEWEI



ESR II INSTALLATION SYSTEM FRAME

Technical Information.

ESR II – THE PERFECT SOLUTION FOR EVERY BATHROOM



HIGH QUALITY DESIGN FOR SOPHISTICATED TASTES

If you place great value on timeless elegance in the bathroom you will love an enamelled shower tray. It not only creates a harmonious link to the rest of the room but the fluent transition also creates a particularly elegant impression. And it has an advantage that should not be underestimated: it is especially easy to care for. Its level surface guarantees that it is simple to clean, and, being flush with the floor, water that is sprayed outside the showering area is rapidly returns to the shower tray.

GREAT FREEDOM OF MOVEMENT FOR ALL

Most people appreciate being able to move freely in their bathroom. For them, comfortably stepping onto a built-in level access shower surface becomes a real relief in daily life. This is appreciated all the more by the elderly and people with physical disabilities as they can get into their shower without having to negotiate hazardous edges. The anti-slip enamelling, which is available on request, is fixed to the Kaldewei steel enamel 3.5 mm of the enamelled shower surface, ensures additional safety.

GREATER SAFETY FOR FAMILIES

Enamelled shower surfaces from Kaldewei combined with the ESR II in particular offer numerous benefits to families with children. The installation is flush with the floor so there are no edges to stumble over, allowing small children to shower safely and comfortably – a pleasure for everyone. Furthermore, the ESR II offers permanent protection against damage caused by moisture, which could arise due to defective silicone joints. Corresponding consequential costs can be effectively avoided with ESR II.

IDEAL FOR HOUSING ASSOCIATIONS AND THE HOTEL INDUSTRY

Not only private persons benefit from the advantages of enamelled shower surfaces with ESR II. The high quality design and the additional safety are similarly relevant for housing associations. For properties which look appealing are easier to sell or lease.

BARRIER-FREE IN LINE WITH THE DIN STANDARD

In particular the models certified in accordance with the DIN standard guarantee barrier-free access without edges to stumble over. This makes enamelled shower surfaces a genuine relief in daily life.

QS SUPPLIES UK

The importance attached to bathrooms has altered considerably in the past few years. The bathroom of today – and that naturally also includes the shower – has increasingly become a living space in its own right where you can relax, demonstrate a sense of style, or arrange things in your own individual way. As varying as individual styles may be, one thing connects everyone: the desire for greater individuality and elegance in the bathroom. And that is exactly what is offered by enamelled shower surfaces from Kaldewei, installed using the ESR II installation system frame.



A SECURE COMBINATION – ENAMELLED SHOWER SURFACES AND THE ESR II INSTALLATION SYSTEM FRAME

There are many arguments that speak in favour of installing enamelled shower surfaces with the ESR II. The most important are summarised again here:

SIMPLE TO CLEAN AND CARE FOR

Due to the joint-free surface and the easy-clean finish (optional), it is considerably easier to clean enamelled shower surfaces – in comparison to tiled shower areas.

BEST POSSIBLE HYGIENE

In the crevices of “fully tiled” shower areas the dampness remains for a particularly long time. This leads to significantly greater contamination through dirt, lime-scale deposits and bacteria.

ELEGANCE

Due to its high quality design, an enamelled shower surface imparts timeless elegance in the bathroom.

NO RISK OF LEAKAGES

The integrated drain-off connection, including backflow preventer, prevents seepage water from permeable silicone joints penetrating the screed and masonry in the area of the shower tray. Mould, unpleasant odours and elaborate and expensive repairs are prevented.

BARRIER-FREE IN LINE WITH THE DIN STANDARD.

The 399 model (SUPERPLAN 120 x 120 x 2.5 cm) with full anti-slip corresponds to barrier-free standard DIN 18025-2.

The 413 model (SUPERPLAN XXL 150 x 150 x 5.2 cm) with full anti-slip corresponds to barrier-free DIN standards 18024-2, 18025-1, 18025-2 and 18040-1, as well as E DIN 18040-2. The 790 model (CONOFLAT 120 x 120 cm) with full anti-slip corresponds to barrier-free DIN standards 18025-2 and 18040-2.

STRAIGHTFORWARD AND SIMPLE ASSEMBLY

No specially sealed screed, no complicated gradient or fixing with rigid foam necessary. With the aid of the form-work panels, screed recess can be manufactured easily and accurately.

STRAIGHTFORWARD ALTERATION

The enamelled shower surface can be removed without any problem by slitting the expansion joint, and the installation underneath can be examined without any trouble.

HASSLE-FREE EXCHANGE

The shower basin can be exchanged in a simple and uncomplicated manner, without any tiling work.

qssupplies.co.uk



THE BACKGROUND TO TIMELESS ELEGANCE IS PERFECTION



ESR II installation system frame 100 x 100 cm

qssupplies.co.uk

1 THE ALUMINIUM PROFILE

This consists of a stable aluminium frame with sound insulation strips attached on the outside.

2 THE SPECIAL WASTE SIPHON

According to requirements, various types of waste siphon are available, in each case with an drain-off connection.

3 THE DRAINAGE HOSE

This guarantees controlled drainage of the seepage water. The integrated backflow preventer in the rotatable corner connection offers additional safety.

4 ADJUSTABLE FOOT

The horizontally and vertically adjustable foot guarantees virtually unlimited variation.

5 THE SEALING TAPE

The self-adhesive fleece butyl sealing type effectively protects against damage caused by moisture.

6 THE INSTALLATION DEVICE

Every ESR II possesses installation devices, which enable the tiler to lay the tiles without utilising the shower tray.

7 THE CORNER BRACKET

This serves to soundproof the shower tray.

8 THE FORMWORK PANELS

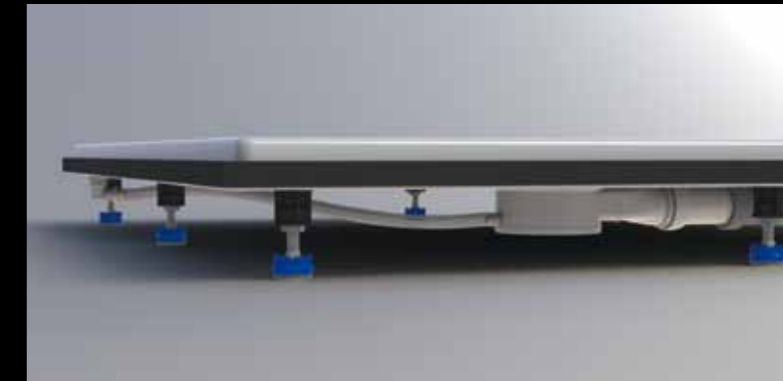
The formwork panels provided can be used to create a precise plaster floor recess.

THE KALDEWEI ESR II INSTALLATION SYSTEM FRAME

The ESR II allows for installing enamelled shower surfaces quickly and precisely for optimum stability. This all-in-one system provides you with all the components necessary for installing enamelled shower trays swiftly and securely.

A SAFE AFFAIR ALL ROUND

The ESR II installation system frame includes a pre-assembled seepage water hose, including a backflow preventer in the rotatable connecting bracket and a sealing tape to protect against damage caused by moisture. In this way, water that penetrates through defective silicone seams is caught in the frame and directly fed to the special waste siphon. Depending on the requirements, there is a choice between various different types of waste siphons for the ESR II.



THE SLICK FOOT SYSTEM

The suitability for almost all installation situations is ensured through the ESR II's sound-insulating feet, which are adjustable both horizontally and vertically. This means that uneven areas of the base are levelled off perfectly. Due to the feet, which can be freely positioned on the frame (the receptacles are pre-assembled on the frame), intricate, customised solutions are not necessary. With the ESR II installation system frame, installation heights of shower trays of between 65 mm and 164 mm can be accommodated. A minimum installation height of 49 mm (non-adjustable) can likewise be implemented.



PERFECT ACOUSTIC INSULATION

For optimum sound installation, the ESR II has rubber mount profiles, as well as special corner bracket rubbers. Sound insulation tape applied in the factory serves to provide sound insulation between the ESR II and the structure. In addition, each foot possesses sound installation. Thus, the requirements of DIN 4109/A1 are met. If a sound-dampening plate underneath the shower basin is also used, the measured installation sound level amounts to 19 dB(A). These measurements have been confirmed in a test certificate (P-BA 218/2009) by the Fraunhofer Institute of Building Physics.



THE RIGHT WASTE FITTING FOR EVERY NEED

The choice is yours. Depending on the setting of the installation and the individual requirements, you can choose the appropriate waste fitting for the ESR II.

For ARRONDO, CORNEZZA, FONTANA, LADOPLAN, SUPERPLAN and SUPERPLAN XXL:



Special waste fitting:

- Standard waste fitting with drain-off connection
- Drainage capacity: 0.6 l/s
- Installation height: 80 mm
- Chrome waste cover
- Complies with EN 274

Special waste fitting Plus:

- Waste fitting with increased drainage capacity and drain-off connection
- Drainage capacity: 0.85 l/s
- Installation height: 90 mm
- Chrome waste cover
- Complies with EN 274



Special waste fitting 60 mm:

- Extra slim waste fitting with drain-off connection
- Drainage capacity: 0.5 l/s
- Installation height: 60 mm
- Chrome waste cover
- Does not comply with EN 274

Special waste fitting, vertical:

- Waste fitting, vertical with drain-off connection
- Drainage capacity: 0.6 l/s
- Installation height: 80 mm
- Chrome waste cover
- Complies with EN 274



For CONOFLAT:



KA 120:

- KA 120 with drain-off connection
- Drainage capacity: 0.85 l/s
- Waste cover, enamelled
- Complies with EN 274
- Easy to clean

KA 120, vertical:

- KA 120, vertical, with drain-off connection
- Drainage capacity: 1.4 l/s
- Waste cover, enamelled
- Complies with EN 274
- Easy to clean



For SUPERPLAN PLUS:



KA 125:

- KA 125 with drain-off connection
- Drainage capacity: 0.85 l/s
- Waste cover, enamelled
- Complies with EN 274
- Easy to clean

KA 125, vertical:

- KA 125, vertical, with drain-off connection
- Drainage capacity: 1.4 l/s
- Waste cover, enamelled
- Complies with EN 274
- Easy to clean



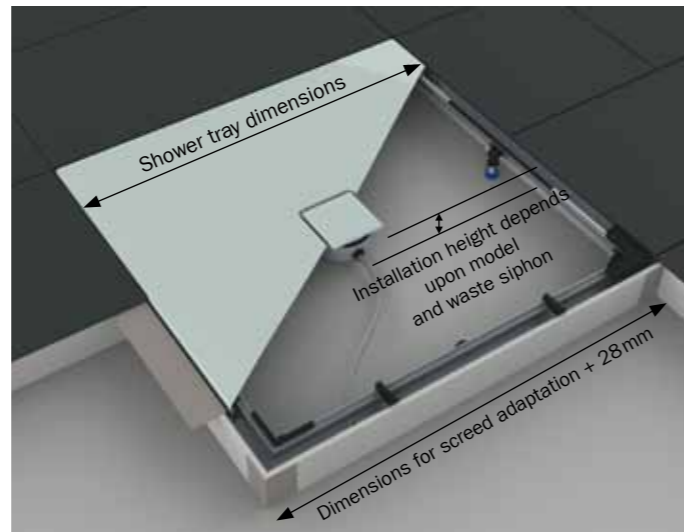
KALDEWEI: IMPRESSIVE TECHNOLOGY

PLANNING THE BATHROOM WITH THE ESR II

When installing enamelled shower surfaces flush with the floor, the ESR II installation system frame is the optimum solution. First, place the aligned installation system frame in a screed recess. In the case of screed that first needs to be laid, the latter can be produced with the aid of the formwork panels. Special corner pieces serve as positioning aids for the tiler. As a result, after installing the ESR II the tiling can be completed. The shower tray is only installed as a last step, i.e. at the detailed stage of the installation, fitting exactly into the frame. There is consequently no risk of the shower tray being damaged – e.g. when the tiling work is carried out. And it can be replaced neatly at a later date without damaging the tiles.

When planning the installation of a shower tray with ESR II, care is to be taken with the screed recess that the ESR II is 28 mm greater in width and length than the shower tray (e.g. shower tray dimensions 90 x 90 cm, screed recess necessary for installation of the shower tray with ESR II: 92.8 x 92.8 cm). In the case of screed to be newly laid, the screed recess can be easily and precisely produced with the formwork panels included in the scope of delivery.

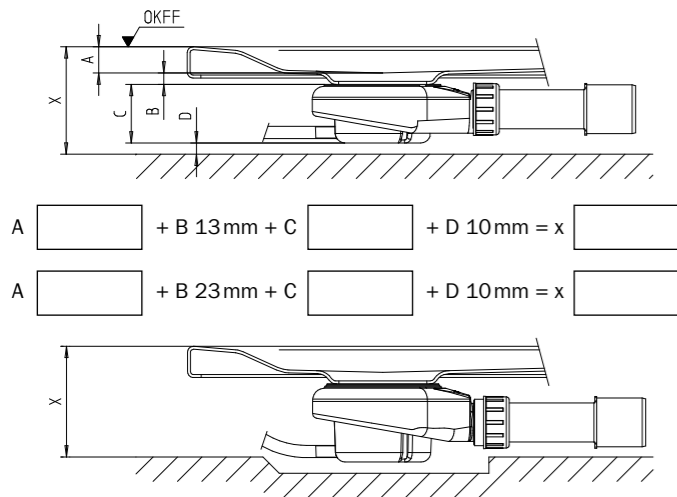
The individual installation heights depend upon the waste siphon variant and shower tray model used. With the following plan you can ascertain the installation height of your combination and incorporate it into your bathroom planning.



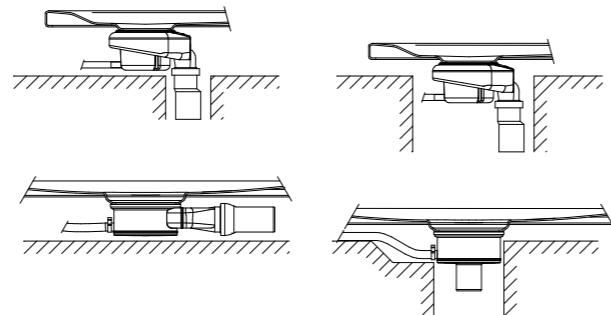
ESR II installation system frame 100 x 100 cm

- A = Shower tray depth (mm, see packaging/technical data sheet)
- B = Drain sink (Depth for connection area of the waste siphon 13mm, in the case of CONOFLAT 23mm)
- C = Waste siphon height (mm)
- D = Safety margin between the waste siphon and the base (mm)
- X = Height of shower tray, incl. waste siphon and safety margin for any floor recesss (mm)

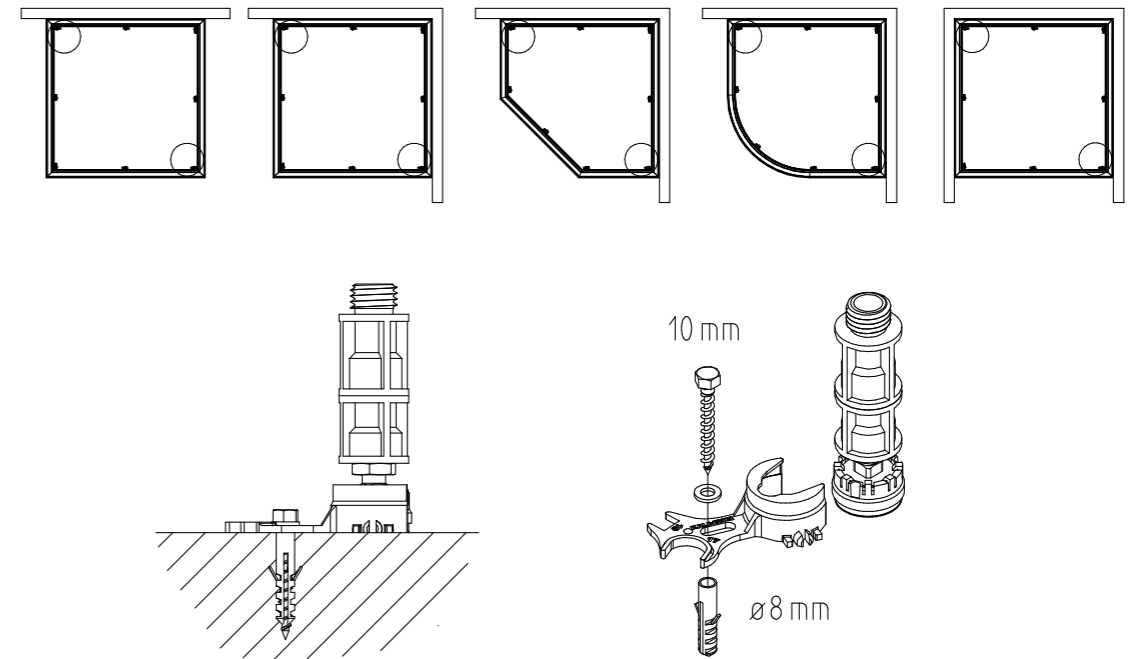
- HEIGHTS OF WASTE siphons (C)
- 80mm with special waste fitting
 - 90mm with special waste fitting Plus
 - 60mm with special waste fitting 60mm and KA 120



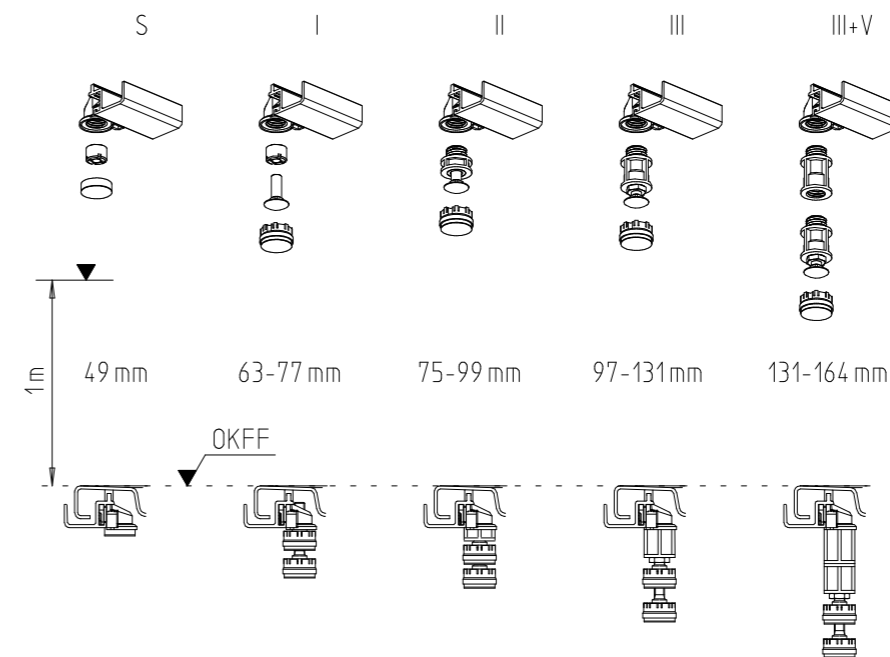
Should minimum installation heights not be reached, floor recesss or apertures are necessary. Care is to be taken to create a safety margin between the waste siphon and the base when installing the shower tray. Connecting the waste siphon to the local waste disposal and the hose of the drain-off connection must, if necessary, to be stemmed. Kaldewei recommends installing a regular commercial backflow protection in the horizontal drainpipe.



To prevent the aligned ESR II from moving during later construction phases, floor attachments are included in the scope of delivery. The floor attachments can be positioned as shown in the illustration (depending upon the installation situation). In order to guarantee optimum sound insulation, the floor attachments are removed again prior to installing the shower tray.



The slick foot system enables the most varied installation heights and can be flexibly adjusted to meet various different installation requirements.



Installation heights with shower trays

- S: 49 mm – non-adjustable
- I: 63 – 77 mm
- II: 75 – 99 mm
- III: 97 – 131 mm
- III+V: 131 – 164 mm
- OKFF = Top edge of the finished base

STEP BY STEP TO SUCCESS



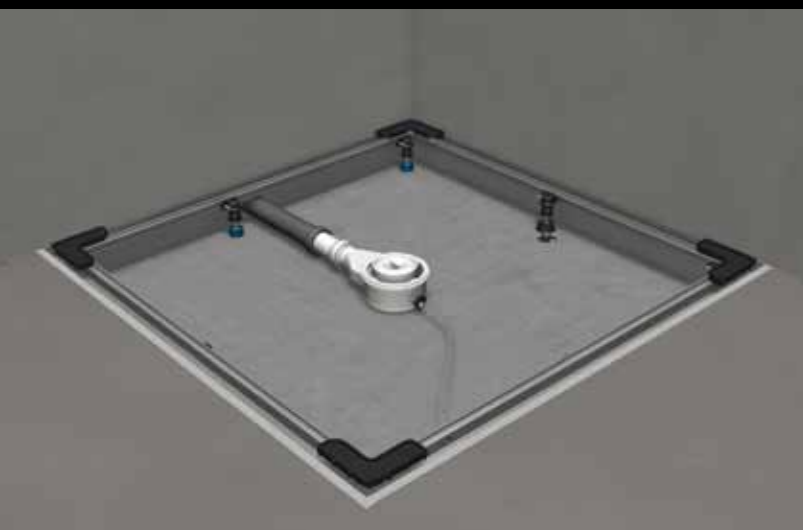
1

Be sure to define the waste siphon position. Adjust the footings of the ESR II horizontally and vertically.



2

Use water scales and fitting aids to align the ESR II with the meter line precisely. Next, attach the floor fasteners to prevent the ESR II from being displaced. Put the recess aids in place. Fit the formwork panels and attach using butyl sealing tape.

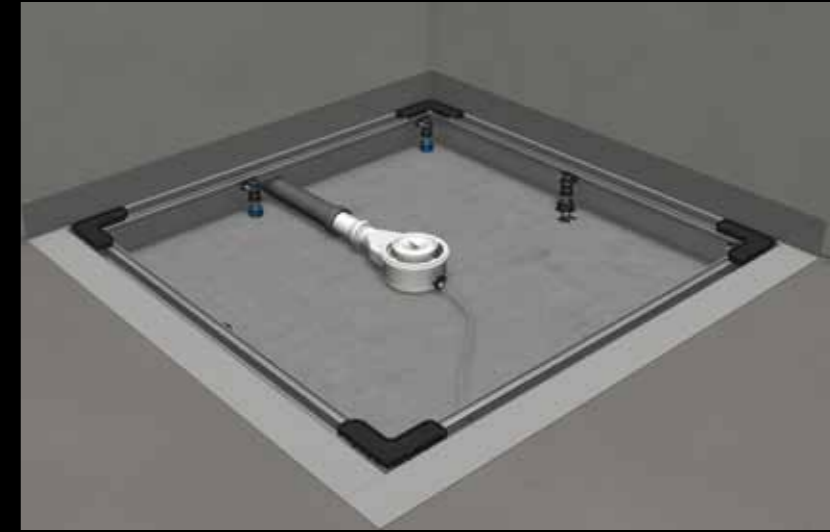


3

Then the screed should be laid by professionals. Finally, shorten the formwork panels and remove the recess aids. Connect the waste siphon.

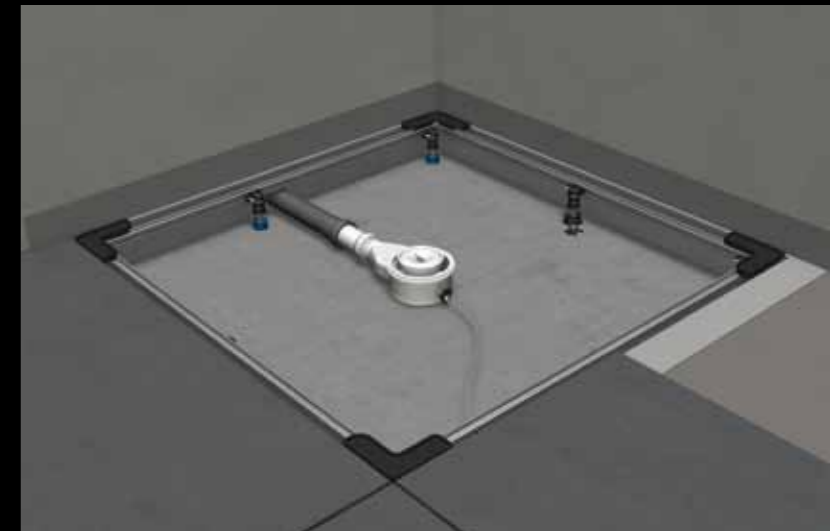
4

The fleece butyl sealing tape should be attached along the edges of the frame and stuck to both the walls and the plaster floor, so that it can later be integrated with the next sealing coat.



5

By using fitting aids, the wall and floor can next be tiled simply and perfectly without having to first insert the shower tray into the ESR II.



6

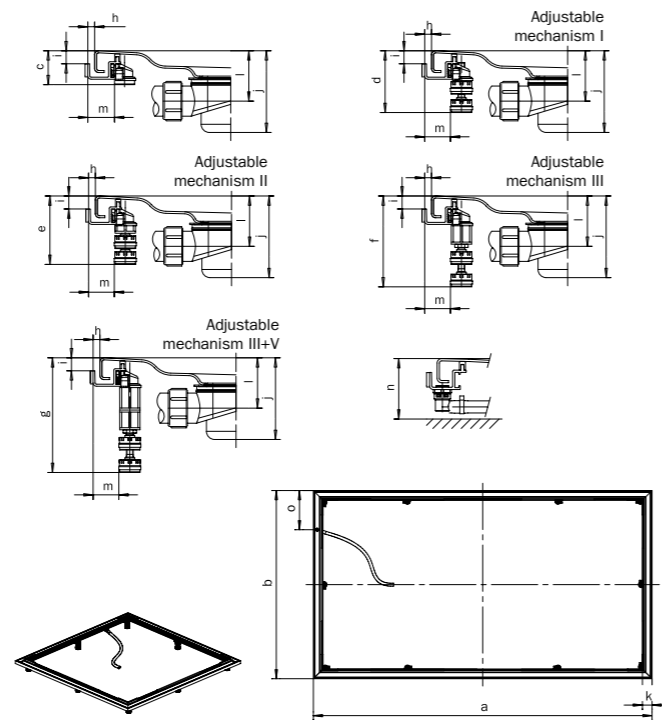
Insert the shower tray and connect the waste siphon to the enamelled shower tray. Finally, the joints are permanently elastically sealed.



This sequence serves to show how easily the ESR II can be installed. The corresponding installation, assembly instructions and a product film can be found on the internet at www.kaldewei.com

ESR II INSTALLATION SYSTEM FRAME

- Enables rapid and precise installation of floor-level shower trays
- Variable due to horizontally and vertically adjustable feet
- Optimum sound insulation with integrated sound insulation tape rubber mounting profiles, corner support rubbers and noisedecoupled feet
- Special waste fitting required for ESR II



Installation height (non-adjustable)	c	49 mm	
Installation height	d	63– 77 mm	
Installation height	e	75– 99 mm	
Installation height	f	97–131 mm	
Installation height	g	131–164 mm	
Space for wall tile	h	10 mm	
Top edge of frame to top edge of shower basin	i	20 mm	
Height of shower tray with waste siphon	Special waste fitting	j	Tray depth** + 93 mm
	Special waste fitting 60 mm	j	Tray depth** + 73 mm
	Special waste fitting Plus	j	Tray depth** + 103 mm
	Special waste fitting, vertical	j	
Frame width*	k	48.5 mm	
Waste siphon connection height	Special waste fitting	l	Tray depth** + 55 mm
	Special waste fitting 60 mm	l	Tray depth** + 45 mm
	Special waste fitting Plus	l	Tray depth** + 60 mm
	Special waste fitting, vertical	l	
Recess to foot of frame	m	35 mm	
Installation height of hose connection with shower tray	n	80 mm	
Drain connection	o	210 mm	

* Without soundproofing tape ** Tray depth corresponds to dimension "c" of the desired shower tray

Model no.	75/80	80/80	70/90	75/90	80/90	90/90	75/100	80/100	90/100	100/100	80/110	90/110	70/120	75/120
External length	a	828	828	928	928	928	1028	1028	1028	1028	1128	1128	1228	1228 mm
External width	b	778	828	728	778	828	928	778	828	928	1028	828	928	728 778 mm

Model no.	80/120	90/120	100/120	120/120	80/130	90/130	100/130	70/140	75/140	80/140	90/140	100/140	70/150	75/150
External length	a	1228	1228	1228	1328	1328	1328	1428	1428	1428	1428	1428	1528	1528 mm
External width	b	828	928	1028	1228	828	928	1028	728	778	828	928	1028	728 778 mm

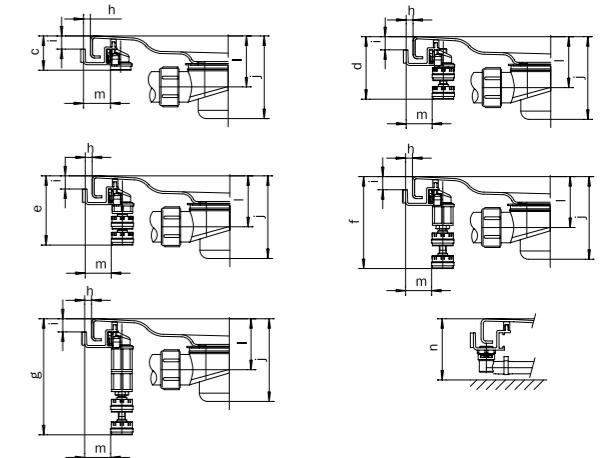
Model no.	90/150	100/150	150/150	70/160	75/160	90/160	100/160	70/170	75/170	90/170	100/170	80/180	90/180	100/180
External length	a	1528	1528	1528	1628	1628	1628	1728	1728	1728	1728	1828	1828	1828 mm
External width	b	928	1028	1528	728	778	928	1028	728	778	928	1028	928	1028 mm

With a lower installation height (less than the dimension j + 5 mm), a floor recess is to be taken into consideration. We recommend fitting a non-return valve in the outlet pipe.

Subject to technical alterations and tolerances.

ESR II INSTALLATION SYSTEM FRAME FOR QUADRANT AND PENTAGONAL SHOWER TRAYS

- Enables rapid and precise installation of floor-level shower trays
- Variable due to horizontally and vertically adjustable feet
- Optimum sound insulation with integrated sound insulation tape Rubber mounting profiles, corner support rubbers and noisedecoupled feet
- Special waste fitting required for ESR II



Installation height (non-adjustable)	c	49 mm	
Installation height	d	63– 77 mm	
Installation height	e	75– 99 mm	
Installation height	f	97–131 mm	
Installation height	g	131–164 mm	
Space for wall tile	h	10 mm	
Top edge of frame to top edge of shower tray	i	20 mm	
Height of shower tray with waste siphon	Special waste fitting	j	Wannentiefe** + 93 mm
	Special waste fitting 60mm	j	Wannentiefe** + 73 mm
	Special waste fitting Plus	j	Wannentiefe** + 103 mm
	Special waste fitting, vertical	j	
Frame width*	k	48.5 mm	
Waste siphon connection height	Special waste fitting	l	Wannentiefe** + 55 mm
	Special waste fitting 60 mm	l	Wannentiefe** + 45 mm
	Special waste fitting Plus	l	Wannentiefe** + 60 mm
	Special waste fitting, vertical	l	
Recess to foot of frame	m	35 mm	
Installation height of hose connection with shower tray	n	80 mm	
Drain connection	o	210 mm	

* Without soundproofing tape ** Tray depth corresponds to dimension "c" of the desired shower tray

With a lower installation height (less than the dimension j + 5 mm), a floor recess is to be taken into consideration. We recommend fitting a non-return valve in the outlet pipe.

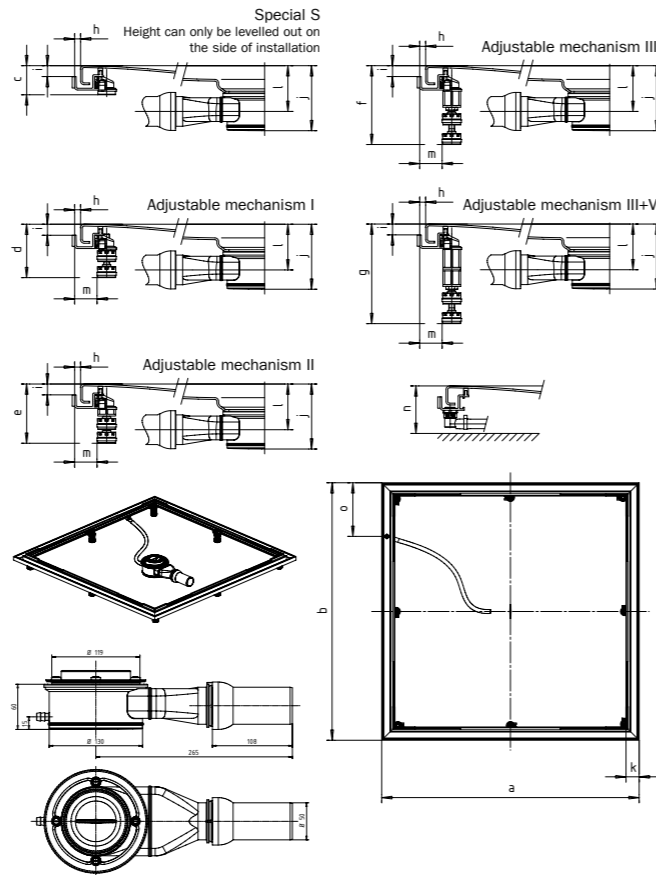
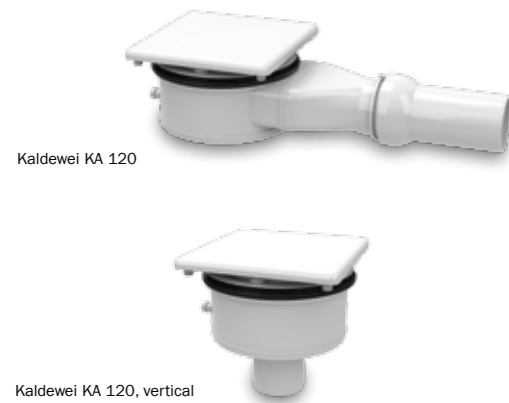
Note: The respective waste fitting needs to be ordered separately from the ESR II.

ESR II installation system frame	Art. no.	Dimensions cm
ARRONDO Depth 2.5 cm	5845 7444 0000 5845 7445 0000	90 x 90 100 x 100
FONTANA Depth 2.5 cm	5845 7446 0000 5845 7447 0000 5845 7448 0000	80 x 80 90 x 90 100 x 100
CORNEZZA Depth 2.5 cm	5845 7442 0000 5845 7443 0000	90 x 90 100 x 100
Special waste fittings for ESR II with drain-off connection	Art. no.	
Special waste fitting waste cover chrome	6877 7080 0000	Illustration, see page 9
Special waste fitting 60mm, waste cover chrome	6877 7081 0000	Illustration, see page 9
Special waste fitting Plus, waste cover chrome	6877 7082 0000	Illustration, see page 9
Special waste fitting, vertical, waste cover chrome	6877 7083 0000	Illustration, see page 9

Technical changes excepted.

ESR II INSTALLATION SYSTEM FRAME FOR CONOFLAT

- Enables rapid and precise floor-level installation of CONOFLAT
- Variable due to horizontally and vertically adjustable feet
- Optimum sound insulation due to integrated sound insulation tape, rubber mounting profiles, corner support rubbers and soundproofed feet
- Special waste fitting KA 120 necessary for ESR II CONOFLAT



External length*	a	See page 14
External width*	b	See page 14
Installation height (non-adjustable)	c	49 mm
Installation height	d	63– 77 mm
Installation height	e	75– 99 mm
Installation height	f	97–131 mm
Installation height	g	131–164 mm
Space for wall tile	h	10 mm
Top edge of frame to top edge of shower basin	i	20 mm
Height of shower basin with waste siphon	j	107 mm
Frame width*	k	48.5 mm
Connection height of waste siphon**	l	76 mm
Recess to foot of frame	m	35 mm
Installation height of hose connection with shower tray	n	80 mm
Drain connection	o	210 mm

* Without sound insulation tape ** Only when using the KA 120

A floor recess is to be taken into consideration with an installation height of less than 115 mm. We recommend fitting a non-return valve in the outlet pipe.

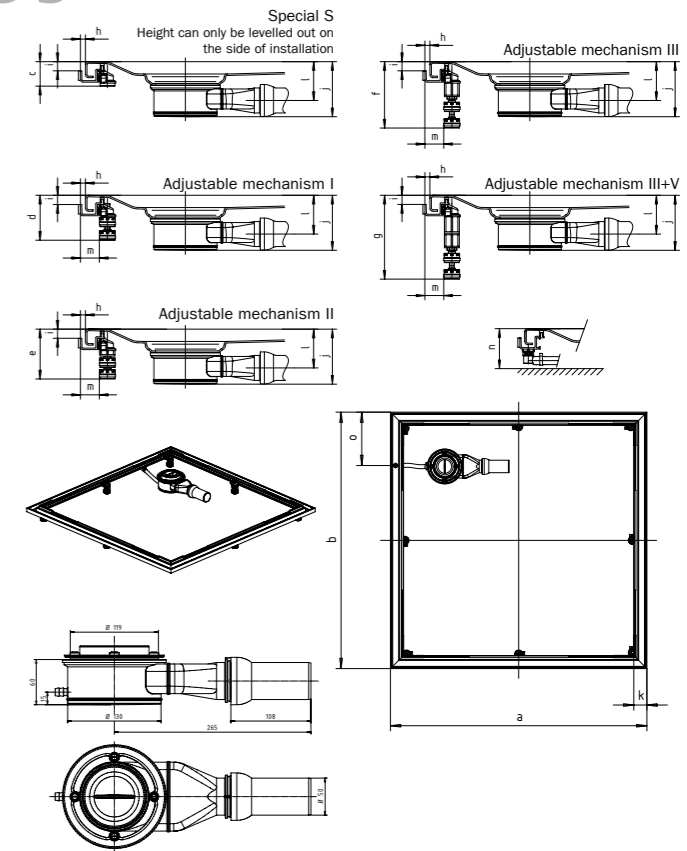
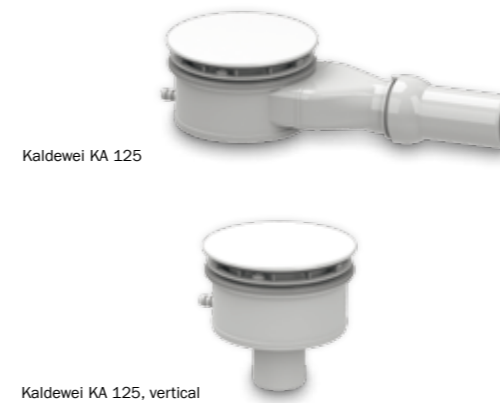
Note: The respective waste fitting needs to be ordered separately from the ESR II.

Special waste fittings KA 120 for ESR II CONOFLAT	Model Article no.	
Special waste fitting KA 120 Drainage capacity: 0.85 l/s	4092 6877 7071 xxxx	
Special waste fitting KA 120, vertical Drainage capacity: 1.4 l/s	4094 6877 7077 xxxx	

Technical changes excepted.

ESR II INSTALLATION SYSTEM FRAME FOR SUPERPLAN PLUS

- Enables rapid and precise floor-level installation of SUPERPLAN PLUS
- Variable due to horizontally and vertically adjustable feet
- Optimum sound insulation due to integrated sound insulation tape, rubber mounting profiles, corner support rubbers and soundproofed feet.
- Special waste fitting KA 125 necessary for ESR II SUPERPLAN PLUS



External length*	a	See page 14
External width*	b	See page 14
Installation height (non-adjustable)	c	49 mm
Installation height	d	63– 77 mm
Installation height	e	75– 99 mm
Installation height	f	97–131 mm
Installation height	g	131–164 mm
Space for wall tile	h	10 mm
Top edge of frame to top edge of shower tray	i	20 mm
Height of shower tray with waste siphon	j	109 mm
Frame width*	k	48.5 mm
Connection height of waste siphon**	l	76 mm
Recess to foot of frame	m	35 mm
Installation height of hose connection with shower tray	n	80 mm
Drain connection	o	210 mm

* Without sound insulation tape ** Only when using the KA 125

A floor recess is to be taken into consideration with an installation height of less than 115 mm. We recommend fitting a non-return valve in the outlet pipe.

Note: The respective waste fitting needs to be ordered separately from the ESR II.

Special waste fitting KA 125 for ESR II SUPERPLAN PLUS	Model Article no.	
Special waste fitting KA 125 Drainage capacity: 0.85 l/s	4097 6897 1061 xxxx	
Special waste fitting KA 125, vertical Drainage capacity: 1.4 l/s	4099 6897 1063 xxxx	

Technical changes excepted.

SELECTION TABLE FOR SHOWER TRAYS

The Kaldewei ESR II installation system frame is available for the following shower trays made of Kaldewei steel enamel 3.5mm:

Model	Model no.	Length (cm)	Width (cm)	Depth (cm)	Weight	ESR II model
ESR II SQUARE/RECTANGLE						
LADOPLAN	762	90	90	3.5	22	90/ 90
LADOPLAN	764	80	100	3.5	22	80/100
LADOPLAN	768	100	100	3.5	27	100/100
SUPERPLAN	385	75	80	2.5	17	75/ 80
SUPERPLAN	386	80	80	2.5	18	80/ 80
SUPERPLAN	400	70	90	2.5	17	70/ 90
SUPERPLAN	387	75	90	2.5	18	75/ 90
SUPERPLAN	388	80	90	2.5	19	80/ 90
SUPERPLAN	390	90	90	2.5	22	90/ 90
SUPERPLAN	402	75	100	2.5	20	75/100
SUPERPLAN	398	80	100	2.5	21	80/100
SUPERPLAN	404	90	100	2.5	24	90/100
SUPERPLAN	391	100	100	2.5	27	100/100
SUPERPLAN	405	90	110	2.5	26	90/110
SUPERPLAN	401	70	120	2.5	23	70/120
SUPERPLAN	403	75	120	2.5	24	75/120
SUPERPLAN	389	80	120	2.5	25	80/120
SUPERPLAN	406	90	120	2.5	29	90/120
SUPERPLAN	407	100	120	2.5	31	100/120
SUPERPLAN	399	120	120	2.5	37	120/120
SUPERPLAN XXL	438	90	130	2.5	31	90/130
SUPERPLAN XXL	408	70	140	3.9	26	70/140
SUPERPLAN XXL	410	75	140	4.0	28	75/140
SUPERPLAN XXL	429	90	140	4.3	33	90/140
SUPERPLAN XXL	412	100	140	4.3	36	100/140
SUPERPLAN XXL	433	70	150	3.9	27	70/150
SUPERPLAN XXL	435	75	150	3.9	30	75/150
SUPERPLAN XXL	439	90	150	4.3	35	90/150
SUPERPLAN XXL	442	100	150	4.3	38	100/150
SUPERPLAN XXL	413	150	150	5.2	55	150/150
SUPERPLAN XXL	431	70	160	3.9	29	70/160
SUPERPLAN XXL	436	75	160	4.0	31	75/160
SUPERPLAN XXL	440	90	160	4.3	37	90/160
SUPERPLAN XXL	443	100	160	4.3	41	100/160
SUPERPLAN XXL	409	70	170	4.7	32	70/170
SUPERPLAN XXL	411	75	170	4.7	33	75/170
SUPERPLAN XXL	430	90	170	5.1	40	90/170
SUPERPLAN XXL	444	100	170	5.1	44	100/170
SUPERPLAN XXL	437	80	180	4.7	37	80/180
SUPERPLAN XXL	441	90	180	5.1	42	90/180
SUPERPLAN XXL	445	100	180	5.1	47	100/180
SUPERPLAN PLUS	475	90	90	2.5	22	90/ 90
SUPERPLAN PLUS	476	75	100	2.5	20	75/100
SUPERPLAN PLUS	477	80	100	2.5	21	80/100
SUPERPLAN PLUS	478	90	100	2.5	24	90/100
SUPERPLAN PLUS	479	100	100	2.5	27	100/100
SUPERPLAN PLUS	480	90	110	2.5	26	90/110
SUPERPLAN PLUS	481	70	120	2.5	23	70/120
SUPERPLAN PLUS	482	75	120	2.5	24	75/120
SUPERPLAN PLUS	483	80	120	2.5	25	80/120
SUPERPLAN PLUS	484	90	120	2.5	29	90/120
SUPERPLAN PLUS	485	100	120	2.5	31	100/120
SUPERPLAN PLUS	486	120	120	2.5	37	120/120

Model	Model no.	Length (cm)	Width (cm)	Depth (cm)	Weight	ESR II model
ESR II SQUARE/RECTANGLE						
CONFLAT	852	80	80		17	80/ 80
CONFLAT	853	75	90		18	75/ 90
CONFLAT	780	80	90		19	80/ 90
CONFLAT	783	90	90		21	90/ 90
CONFLAT	781	80	100		21	80/100
CONFLAT	784	90	100		24	90/100
CONFLAT	786	100	100		26	100/100
CONFLAT	787	80	110		23	80/110
CONFLAT	788	90	110		26	90/110
CONFLAT	854	100	110		28	100/110
CONFLAT	782	80	120		25	80/120
CONFLAT	785	90	120		28	90/120
CONFLAT	789	100	120		30	100/120
CONFLAT	790	120	120		36	120/120
CONFLAT	791	80	130		27	80/130
CONFLAT	792	90	130		30	90/130
CONFLAT	793	100	130		34	100/130
CONFLAT	794	80	140		29	80/140
CONFLAT	795	90	140		32	90/140
CONFLAT	796	100	140		36	100/140
CONFLAT	855	80	150		33	80/150
CONFLAT	856	90	150		35	90/150
CONFLAT	857	100	150		38	100/150
CONFLAT	858	75	160		30	75/160
CONFLAT	859	80	160		35	80/160
CONFLAT	860	90	160		37	90/160
CONFLAT	861	100	160		41	100/160
CONFLAT	862	75	170		33	75/170
CONFLAT	863	90	170		40	90/170
ESR II QUADRANT						
ARRONDO	870	90	90	2.5	20	90/ 90
ARRONDO	872	100	100	2.5	25	100/100
FONTANA	594	80	80	2.5	18	80/ 80
FONTANA	564	90	90	2.5	21	90/ 90
FONTANA	565	100	100	2.5	25	100/100
ESR II PENTAGONAL						
CORNEZZA	670	90	90	2.5	19	90/ 90
CORNEZZA	672	100	100	2.5	23	100/100

qssupplies.co.uk

SPECIFICATIONS FOR TENDER

FOR ENAMELLED SHOWER SURFACES

CONOFLAT shower tray, 3.5 mm steel enamel, manufactured from steel 2.9 mm +/- 0.14 mm, Colour Alpine White, external shape: rectangle, suitable for wheelchairs, central drainage: Ø 12 cm, waste fitting KA 120 Model no. 4091 or KA 120, vertical, Model no. 4093 with quadratic, enamelled waste cover necessary. Surface impact resistant, scratch resistant and abrasion proof, colourfast, lightfast and acid resistant in compliance with DIN EN ISO 28706-1 and DIN EN 14527, CE mark in compliance with DIN EN 14527 – CL 1 +CL 2, TÜV-GS (tested for safety) seal of approval, grounding lug for potential equalisation, 100 % recyclable and certified with the IBU Environmental Product Declaration in compliance with ISO 14025, 30-year guarantee on the shower tray (as per the guarantee certificate). Optional: Further bathroom colours, Coordinated Colours Collection, easy-clean finish, anti-slip or full anti-slip, ESR II installation system frame with corresponding waste fitting KA 120 Model no. 4092 or KA 120 Model no. 4094 for ESR II, FR 5300 or FR 5300 Plus, shower tray foot frame, MAS 5315 central support system, DW-ADS shower tray sound dampening set, DWS shower tray acoustic insulation set, WAS 70 tray connection acoustic insulation tape, WDS tray sealing system.

SUPERPLAN/SUPERPLAN XXL shower tray, 3.5 mm steel enamel, manufactured from steel 2.9 mm +/- 0.14 mm, Colour: Alpine White, external shape: Rectangle, suitable for wheelchairs, drainage: Ø 9 cm. Surface impact resistant, scratch resistant and abrasion proof, colourfast, lightfast and acid resistant in compliance with DIN EN ISO 28706-1 and DIN EN 14527, CE mark in compliance with DIN EN 14527 – CL 1 +CL 2, TÜV-GS (tested for safety) seal of approval, edge inclines 3 degrees inwards to the inside of the tray, grounding lug for potential equalisation, 100 % recyclable and certified with the IBU Environmental Product Declaration in compliance with ISO 14025, 30-year guarantee on the shower tray (as per the guarantee certificate). Optional: further bathroom colours, Coordinated Colours Collection, easy-clean finish, anti-slip or full anti-slip, FR 5300 or FR 5300 Plus shower tray foot frame, ESR II installation system frame with corresponding special waste fitting for ESR II, MAS 5305 central support system, DW-ADS shower tray sound dampening set, DWS shower tray acoustic insulation set, WAS 70 tray connection acoustic insulation tape, WDS tray sealing system.

SUPERPLAN PLUS shower tray, 3.5 mm steel enamel, manufactured from steel 2.9 mm +/- 0.14 mm, Colour: Alpine White, external shape: Square, suitable for wheelchairs, drainage: Ø 12 cm, waste fitting KA 125 Model no. 4096 with round enamelled waste cover. Surface impact resistant, scratch resistant and abrasion proof, colourfast, lightfast and acid resistant in compliance with DIN EN ISO 28706-1 and DIN EN 14527, CE mark in compliance with DIN EN 14527 – CL 1 +CL 2, TÜV-GS (tested for safety) seal of approval, edge inclines 3 degrees inwards to the inside of the tray, grounding lug for potential equalisation, 100 % recyclable and certified with the IBU Environmental Product Declaration in compliance with ISO 14025, 30-year guarantee on the shower tray (as per the guarantee certificate). Optional: further bathroom colours, Coordinated Colours Collection, easy-clean finish, anti-slip or full anti-slip, FR 5300 or FR 5300 Plus shower tray foot frame, ESR II installation system frame with corresponding special waste fitting for ESR II, MAS 5305 central support system, DW-ADS shower tray sound dampening set, DWS shower tray acoustic insulation set, WAS 70 tray connection acoustic insulation tape, WDS tray sealing system.

LADOPLAN shower tray, 3.5 mm steel enamel, manufactured from steel 2.9 mm +/- 0.14 mm, Colour: Alpine White, external shape: Square, drainage central on one side: Ø 9 cm. Surface impact resistant, scratch resistant and abrasion proof, colourfast, lightfast and acid resistant in compliance with DIN EN ISO 28706-1 and DIN EN 14527, CE mark in compliance with DIN EN 14527 – CL 1 +CL 2, TÜV-GS (tested for safety) seal of approval, edge inclines 3 degrees inwards to the inside of the tray, grounding lug for potential equalisation, 100 % recyclable and certified with the IBU Environmental Product Declaration in compliance with ISO 14025, 30-year guarantee on the shower tray (as per the guarantee certificate). Optional: Special waste cover 760 (Surface: powder coating), further bathroom colours, easy-clean finish, anti-slip or full anti-slip, FR 5300 or FR 5300 Plus shower tray foot frame, ESR II installation system frame with corresponding special waste fitting for ESR II, MAS 5305 central support system, DW-ADS shower tray sound dampening set, DWS shower tray acoustic insulation set, WAS 70 tray connection acoustic insulation tape, WDS tray sealing system.

ARRONDO/FONTANA Duschwanne, 3,5 mm Stahl-Email, hergestellt aus Stahl 2,9 mm +/- 0,14 mm, Farbe: alpinweiß, Außenform: Viertelkreis, Ablauf: Ø 9 cm. Oberfläche schlag-, kratz- und abriebfest, farbbeständig, lichtecht und säurebeständig nach DIN EN ISO 28706-1 und DIN EN 14527, CE-Kennzeichnung nach DIN EN 14527 – CL 1 +CL 2, TÜV-GS (geprüfte Sicherheit) Prüfsiegel, 3 Grad zum Wanneninneren geneigter Rand, Erdungsglasche für Potentialausgleich, 100 % recyclebar und zertifiziert mit der IBU Umwelt-Produktdeklaration nach ISO 14025, 30 Jahre Garantie auf die Duschwanne (gem. Garantiepass). Optional: weitere Sanitärfarben, Coordinated Colours Collection, Perl-Effekt, rutschhemmendes Antislip, Duschwannen-Fuß-Rahmen FR 5300, Einbau-System-Rahmen ESR II mit entsprechender Spezial-Ablaufgarnitur für ESR II, Mitten-Abstütz-System MAS 5305, Duschwannen-Antidröhn-Set DW-ADS, Duschwannen-Schalldämmset DWS, Wannen-Anschluss-Schalldämmband WAS 70, Wannen-Dicht-System WDS.

CORNEZZA Duschwanne, 3,5 mm Stahl-Email, hergestellt aus Stahl 2,9 mm ± 0,14 mm, Farbe: Alpinweiß, Außenform: Fünfeck, Ablauf: Ø 9 cm. Oberfläche schlag-, kratz- und abriebfest, farbbeständig, lichtecht und säurebeständig nach DIN EN ISO 28706-1 und DIN EN 14527, CE-Kennzeichnung nach DIN EN 14527 – CL 1 +CL 2, TÜV-GS (geprüfte Sicherheit) Prüfsiegel, 3 Grad zum Wanneninneren geneigter Rand, Erdungsglasche für Potentialausgleich, 100 % recyclebar und zertifiziert mit der IBU Umwelt-Produktdeklaration nach ISO 14025, 30 Jahre Garantie auf die Duschwanne (gem. Garantiepass). Optional: weitere Sanitärfarben, Coordinated Colours Collection, Perl-Effekt, rutschhemmendes Antislip, Duschwannen-Fuß-Rahmen FR 5300, Einbau-System-Rahmen ESR II mit entsprechender Spezial-Ablaufgarnitur für ESR II, Mitten-Abstütz-System MAS 5305, Duschwannen-Antidröhn-Set DW-ADS, Duschwannen-Schalldämmset DWS, Wannen-Anschluss-Schalldämmband WAS 70, Wannen-Dicht-System WDS.

EINBAU-SYSTEM-RAHMEN ESR II

Einbau-System-Rahmen II (Länge x Breite) für bodengleichen Einbau von Duschwannen mit integriertem Kriechwasseranschluss inklusive Rückflussverhinderer. Aluminiumprofil einschließlich außen angebrachtem Schallschutzband. Schallentkoppelungselemente zur Duschwanne, Bodenbefestigungselemente, Vlies-Butylband zur Abdichtung an Wand und Boden sowie Schalungselemente zur Herstellung einer Estrichausssparung beiliegend. Füße schallentkoppelnd, verschiebbar und von 63-164 mm flexibel höhenverstellbar (Mindestaufbauhöhe 49 mm – nicht verstellbar). Erfüllt Schallschutz gemäß DIN 4109 für Kaldewei Duschwannen in Verbindung mit mindestens 2 Antidröhnplatten (Art.-Nr. 6876 7572 0000) unter der Duschwanne.

SPECIFICATIONS FOR TENDER

FOR STANDARD WASTE FITTING

KALDEWEI SPECIAL WASTE FITTING HORIZONTAL with protective cover (chrome-plated), with removable odour stopper with 45° drain bend with connecting pipe Ø 40 mm and Ø 50 mm, for the Kaldewei ESR II with drain-off connection. Ø Drainage hole: 9 cm. Drainage capacity: 0.6 l/s. Quality-controlled in compliance with DIN EN 274.

KALDEWEI SPECIAL WASTE FITTING PLUS, HORIZONTAL with protective cover (chrome-plated) with high drainage capacity, with removable odour stopper, horizontal discharge nozzle adjustable by means of a ball-and-socket joint, connecting pipe Ø 50 mm, for the Kaldewei ESR II with drain-off connection. Ø Drainage hole: 9 cm. Drainage capacity: 0.85 l/s. Quality-controlled in compliance with DIN EN 274.

KALDEWEI SPECIAL WASTE FITTING, VERTICAL with protective cover (chrome-plated) with removable odour stopper, with 45° drain bend with connecting pipe Ø 40 mm and Ø 50 mm, for the Kaldewei ESR II with drain-off connection. Ø Drainage hole: 9 cm. Drainage capacity: 0.6 l/s. Quality-controlled in compliance with DIN EN 274.

KALDEWEI SPECIAL WASTE FITTING 60 MM HORIZONTAL with protective cover (chrome-plated) with removable odour stopper (water seal head 30 mm) and 45° drain bend with connecting pipe Ø 40 mm and Ø 50 mm, for the Kaldewei ESR II with drain-off connection. Ø Drainage hole: 9 cm. Drainage capacity: 0.5 l/s.

FOR CONOFLAT

KALDEWEI KA 120 FOR CONOFLAT HORIZONTAL (Model no. 4092) with enamelled waste cover with removable odour stopper for the CONOFLAT shower tray, horizontal discharge nozzle adjustable by means of a ball-and-socket joint, Ø 50 mm for the Kaldewei ESR II with drain-off connection. Ø Drainage hole: 12 cm. Drainage capacity: 0.85 l/s. Quality-controlled in compliance with DIN EN 274.

KALDEWEI KA 120, VERTICAL, FOR CONOFLAT (Model no. 4094) with enamelled waste cover with removable odour stopper for the CONOFLAT shower tray, vertical, rigid discharge nozzle Ø 50 mm for the Kaldewei ESR II with drain-off connection. Ø Drainage hole: 12 cm. Drainage capacity: 1.4 l/s. Quality-controlled in compliance with DIN EN 274.

FOR SUPERPLAN PLUS

KALDEWEI KA 125 FOR SUPERPLAN PLUS HORIZONTAL (Model no. 4097) with enamelled waste cover with removable odour stopper for the SUPERPLAN PLUS shower tray, horizontal discharge nozzle adjustable by means of a ball-and-socket joint, Ø 50 mm for the Kaldewei ESR II with drain-off connection. Ø Drainage hole: 12 cm. Drainage capacity: 0.85 l/s. Quality-controlled in compliance with DIN EN 274.

KALDEWEI KA 125, VERTICAL, FOR SUPERPLAN PLUS (Model no. 4099) with enamelled waste cover with removable odour stopper for the SUPERPLAN PLUS shower tray, vertical, rigid discharge nozzle Ø 50 mm for the Kaldewei ESR II with drain-off connection. Ø Drainage hole: 12 cm. Drainage capacity: 1.4 l/s. Quality-controlled in compliance with DIN EN 274.

GERMANY

Franz Kaldewei GmbH & Co. KG
Beckumer Strasse 33-35
59229 Ahlen
tel. +49 2382 785 0
fax +49 2382 785 200
www.kaldewei.com

UNITED KINGDOM

Kaldewei UK Ltd.
Kings Hall, St Ives Business Park
Parsons Green St Ives
Cambridgeshire PE27 4WY
tel. +44 1480 498 053
fax +44 1480 493 046
e-mail: info-uk@kaldewei.com