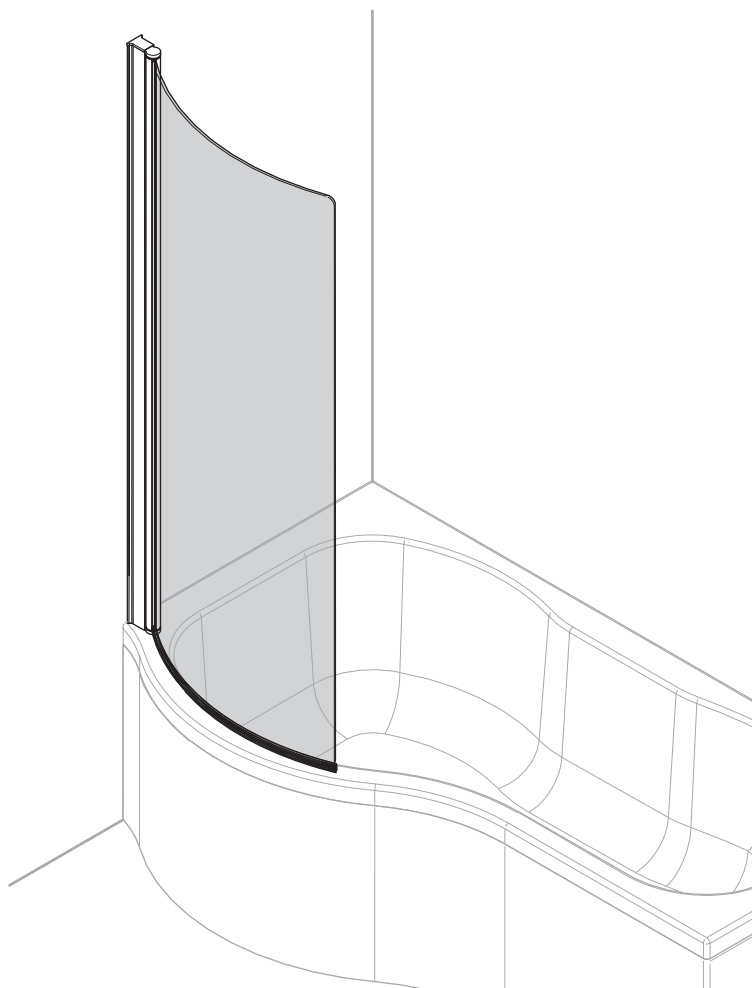


IN00352(rev A)

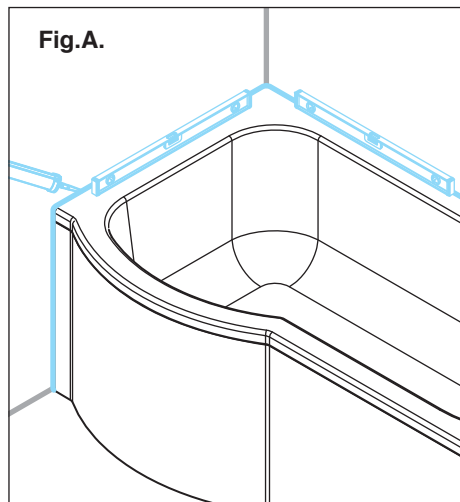
Curved Bath Screen

- Instruction suitable for both Right and Left Hand fixing variations.



Before You Start

- Check that the bath has been installed correctly and that it is level (Fig. A), tiled down onto and sealed to the manufacturer's guidelines. **Please Note:** All product supplied without bath.
- Check that there is sufficient space on the bath for the product and that the screen movement does not foul other items such as sinks and taps.
- Ensure the product is fitted to a non-porous surface ie. tiled. Check that the wall surface is flat.
- Unpack and check the product is complete and undamaged.
- Fixings are supplied for solid walls only. Ensure that the correct fixings are used for the wall type – if in doubt seek professional advice
- Ensure the area is clean, dry and dust free.
- Read the instructions in full.
- Have the correct tools available, (as shown below, see 'Tools Required').




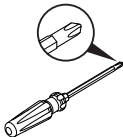
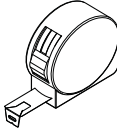
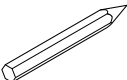
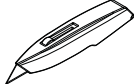
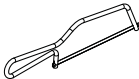

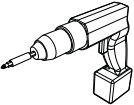
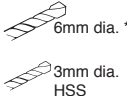
Safety

- Handle all glass with care - support on cardboard to avoid risk of breakage.
- This product is heavy and requires 2 people to carry and install it.
- When drilling walls check first for hidden pipes and cables.
- All glass is toughened – it cannot be reworked or replaced by ordinary glass.
- Use safety eyewear when drilling.
- Use safety eyewear when handling glass.
- Keep all small parts away from children.

Disclaimer

- Please notify the retailer immediately of any damage or faults. The manufacturer cannot be held responsible for any installation costs that may arise from damaged or faulty product being installed.
- Please dispose of all packaging with due regard to the environment.

Tools Required (not supplied)

Spirit Level 	Screwdriver 	Tape Measure 	Pencil 	Utility Knife 
Junior Hacksaw 	Silicone Gun & Sealant 	Power Drill 	Suitable Drill Bits  6mm dia. * 3mm dia. HSS	* Ensure drill bit used is suitable for wall surface



Help Line: 0870 241 6131

Lines open: 8.30am - 5.00pm Monday to Friday
Standard National call charge rate from BT landlines

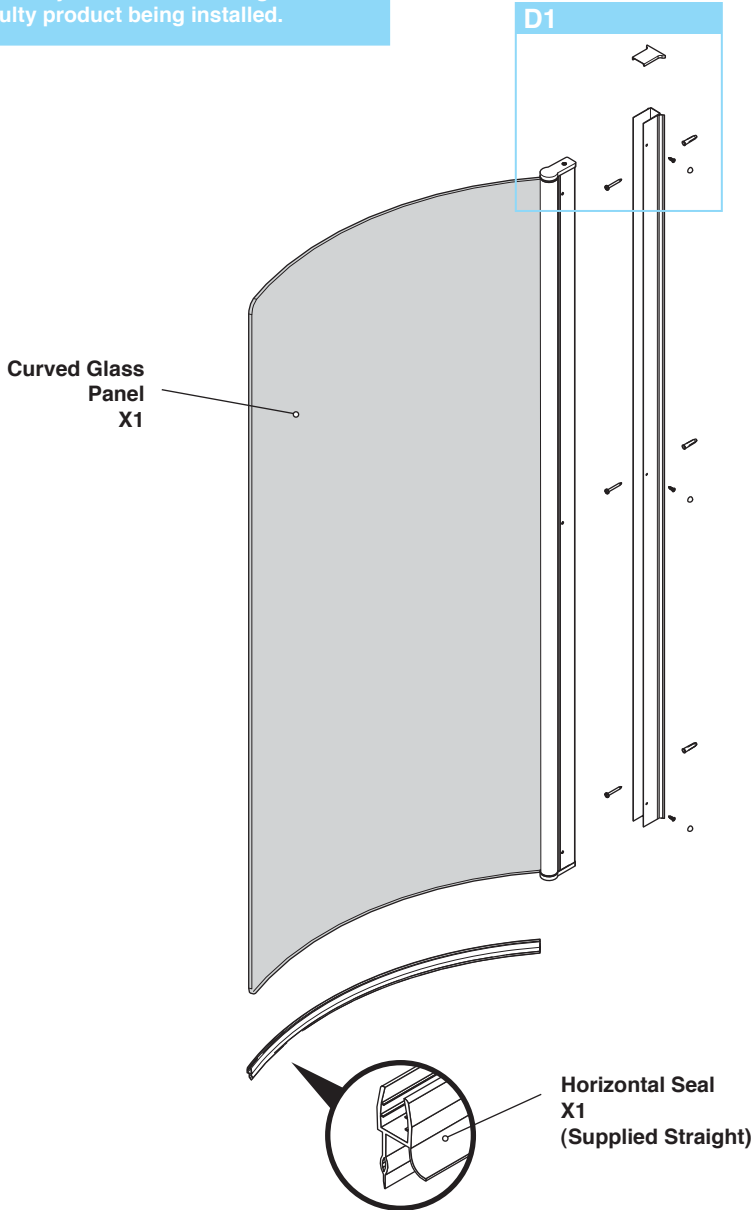
Parts & Fittings Supplied

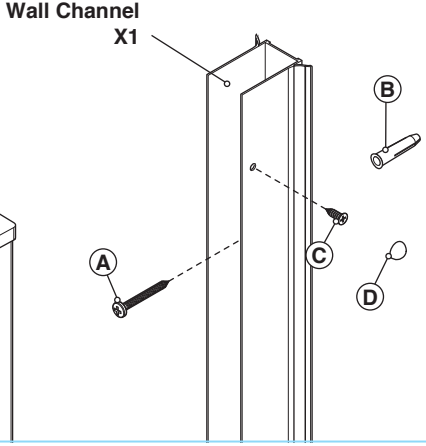
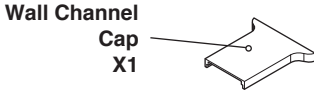


Please notify the retailer immediately of any damage or faults. The manufacturer cannot be held responsible for any installation costs that may arise from a damaged or faulty product being installed.



Keep small parts away from children



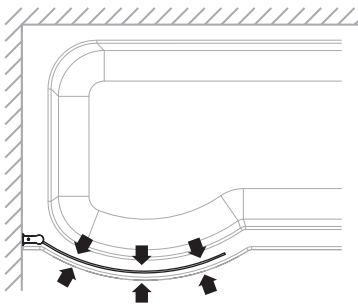


Loose Screws & Fittings Supplied

<p>A</p>	<p>No.7 x 1½" Pan Head Screws</p>	<p>(actual size)</p>	<p>Qty x3</p>
<p>B</p>	<p>Wall Plugs</p>	<p>(actual size)</p>	<p>Qty x3</p>
<p>C</p>	<p>No.7 x ½" CSK Screws</p>	<p>(actual size)</p>	<p>Qty x3</p>
<p>D</p>	<p>Screw Snap Cap</p>	<p>(actual size)</p>	<p>Qty x3</p>

Fig. B

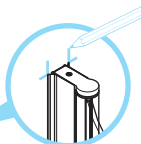
Plan View



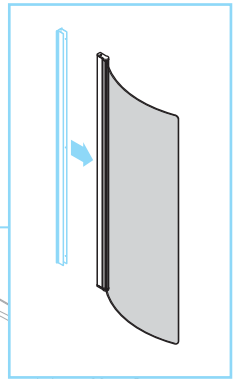
IMPORTANT NOTE:
Ensure radius of Bath Screen matches Bath, (refer to Fig. B for details).
DO NOT push Bath Screen fully into Wall Channel to ensure adjustment when fixing.

1

! Ensure Glass Screen is level



Mark Wall Channel position



! Ensure Glass Screen is level
Handle unframed glass with care - Support on cardboard to avoid risk of breakage.

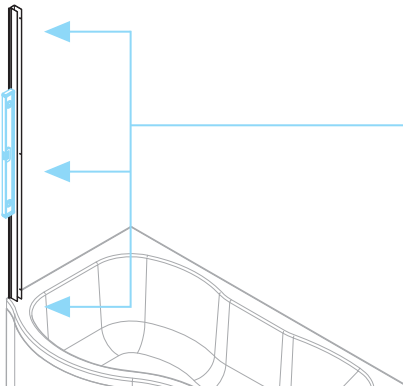


Wall plugs supplied are for solid walls only. Ensure correct wall plug for wall type is used. If in doubt seek professional advice.



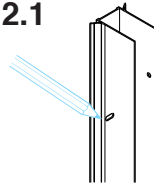
Position wall channel on wall. Ensure channel is vertically level and does not overhang the bath.

2



Tip: When drilling tiles apply masking tape to surface to stop drill bit slipping.

2.1



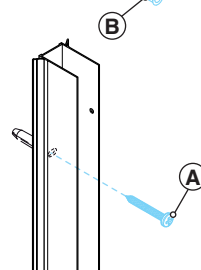
Mark position of pre-drilled channel holes

2.2

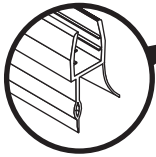
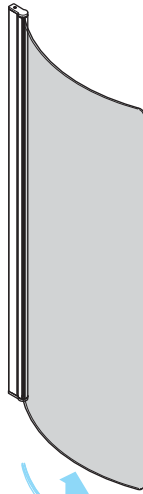


6mm dia. holes with drill bit suitable for wall surface

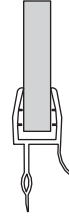
2.3



3



Tip: To push fit Horizontal Seal, start in the corner and work the seal across the Curved Glass Panel.

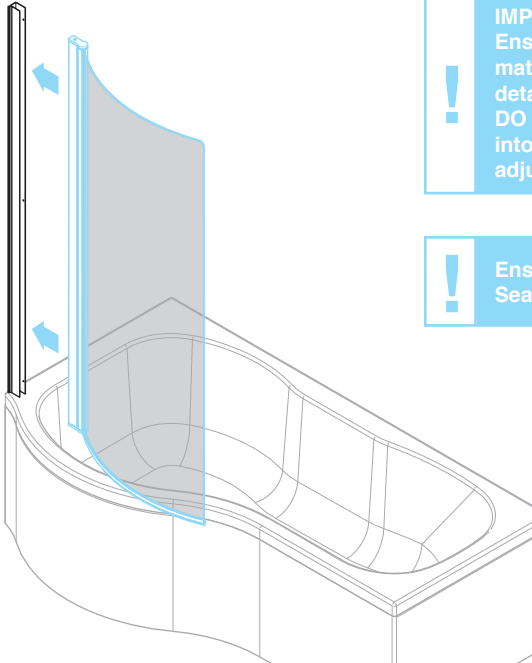


INSIDE OF BATH

OUTSIDE OF BATH

Please Note:
Ensure Horizontal Seal is positioned with the 'Edge Blade' on the inside face of the bath.

4



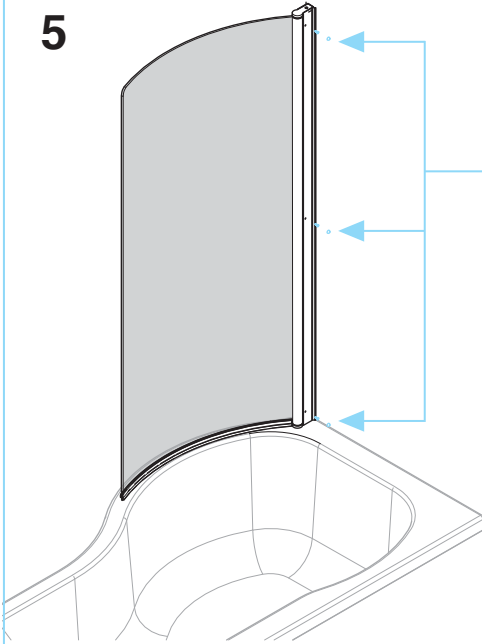
IMPORTANT NOTE:
Ensure radius of Bath Screen matches Bath, (refer to Fig. B for details).
DO NOT push Bath Screen fully into Wall Channel to ensure adjustment when fixing.



Ensure compression of Horizontal Seal on the bath.

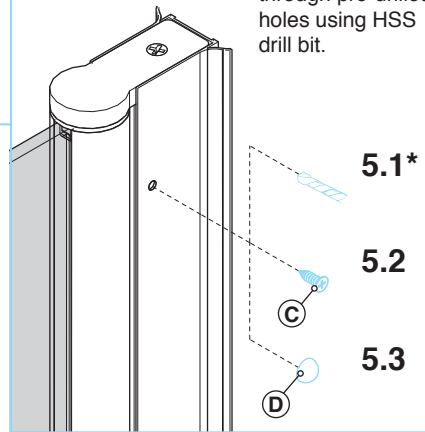
Inside View

5



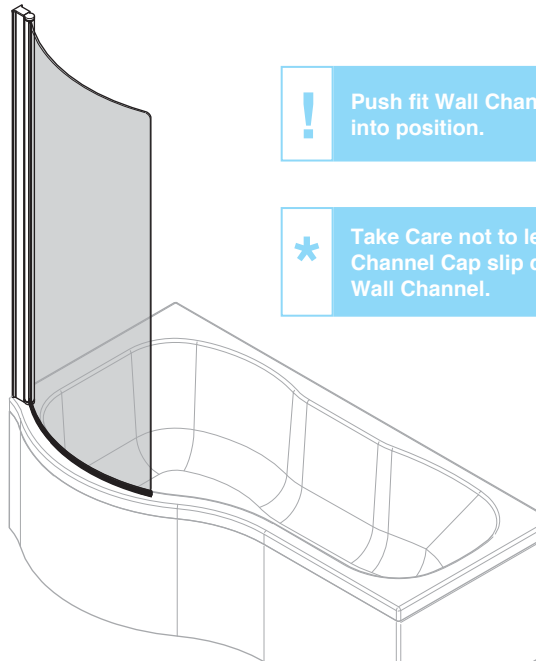
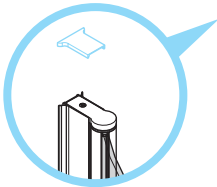
Inside View

*3mm dia. holes through pre-drilled holes using HSS drill bit.



Ensure Bath Screen is level prior to fixing, adjust to suit.

6

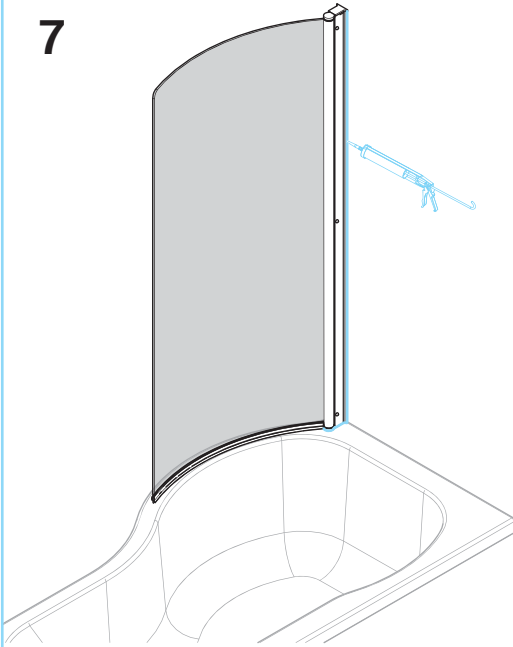


Push fit Wall Channel Cap into position.



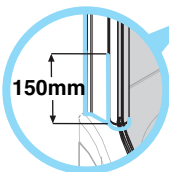
Take Care not to let Wall Channel Cap slip down the Wall Channel.

7



Apply Silicone Sealant, (not supplied).

8



Product Care:
Use a non abrasive cleaner.
Water marks may be removed
with a proprietary limescale
remover or household vinegar.



Apply Silicone Sealant, (not supplied).