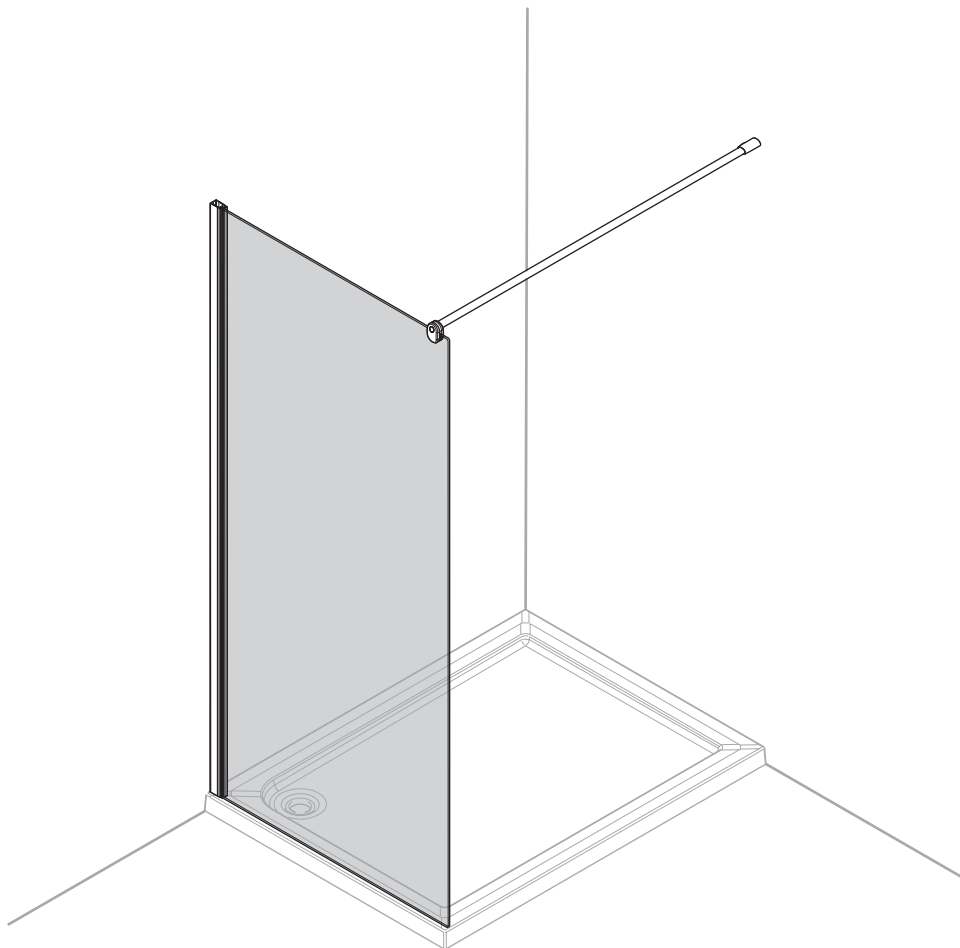


IN00360 (rev A)

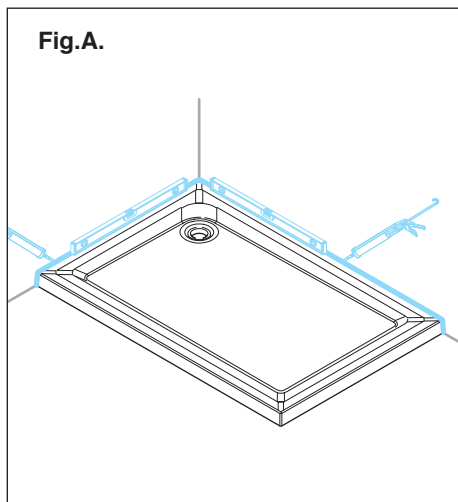
Modular Shower Panel

- Instruction suitable for both Right and Left Hand fixing variations.
- Instruction suitable for both Tray and Wetfloor fixing variations.



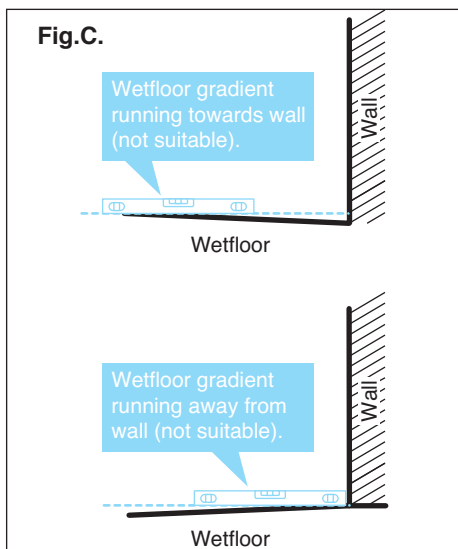
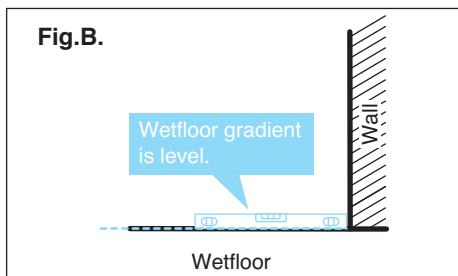
Before You Start - Tray Fix Variant

- Check that the tray has been installed correctly and that it is level (Fig. A), tiled down onto and sealed to the manufacturer's guidelines. **Please Note:** All product supplied without tray.
- Ensure the product is fitted to a non-porous surface ie. tiled. Check that the wall surface is flat.
- Unpack and check the product is complete and undamaged.
- Panels can be used individually or in combination.
- Fixings are supplied for solid walls only. Ensure that the correct fixings are used for the wall type – if in doubt seek professional advice.
- Ensure the area is clean, dry and dust free.
- Read the instructions in full.
- Have the correct tools available, (as shown right, see 'Tools Required').



Before You Start - Wetfloor Fix Variant

- Check that the Wetfloor has been installed correctly to the manufacturer's guidelines. **Please Note:** All products supplied without Wetfloor.
- This product must be fitted onto a level surface only. Determine the floor gradient with a spirit level prior to installation, ensure product is fitted where the floor gradient is level (Fig B.).
- This product is not suitable for installation if the Wetfloor gradient runs towards the Wall or Away from wall (Fig.C) or if the wetfloor surface is uneven.
- Panels can be used individually or in combination.
- Ensure the product is fitted to a non-porous surface ie. tiled. Check that the wall surface is flat.
- Unpack and check the product is complete and undamaged.
- Fixings are supplied for solid walls only. Ensure that the correct fixings are used for the wall type – if in doubt seek professional advice.
- Ensure the area is clean, dry and dust free.
- Read the instructions in full.
- Have the correct tools available, (as shown right, see 'Tools Required').




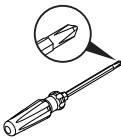
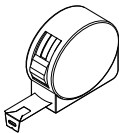
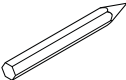
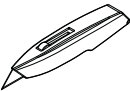
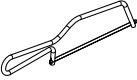

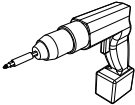


Safety

- Handle all glass with care - support on cardboard to avoid risk of breakage.
- This product is heavy and requires 2 people to carry and install it.
- When drilling walls check first for hidden pipes and cables.
- All glass is toughened – it cannot be reworked or replaced by ordinary glass.
- Use safety eyewear when drilling.
- Use safety eyewear when handling glass.
- Keep all small parts away from children.

Disclaimer

- Please notify the retailer immediately of any damage or faults. The manufacturer cannot be held responsible for any installation costs that may arise from damaged or faulty product being installed.
- Please dispose of all packaging with due regard to the environment.

Tools Required (not supplied)

<p>Spirit Level</p> 	<p>Screwdriver</p> 	<p>Tape Measure</p> 	<p>Pencil</p> 	<p>Utility Knife</p> 
<p>Junior Hacksaw</p> 	<p>Silicone Gun & Sealant</p> 	<p>Power Drill</p> 	<p>Suitable Drill Bits</p>  <p>6mm dia. *</p>  <p>3mm dia. HSS</p>	<p>* Ensure drill bit used is suitable for wall surface</p>



Help Line: 0870 241 6131

Lines open: 8.30am - 5.00pm Monday to Friday
Standard National call charge rate from BT landlines

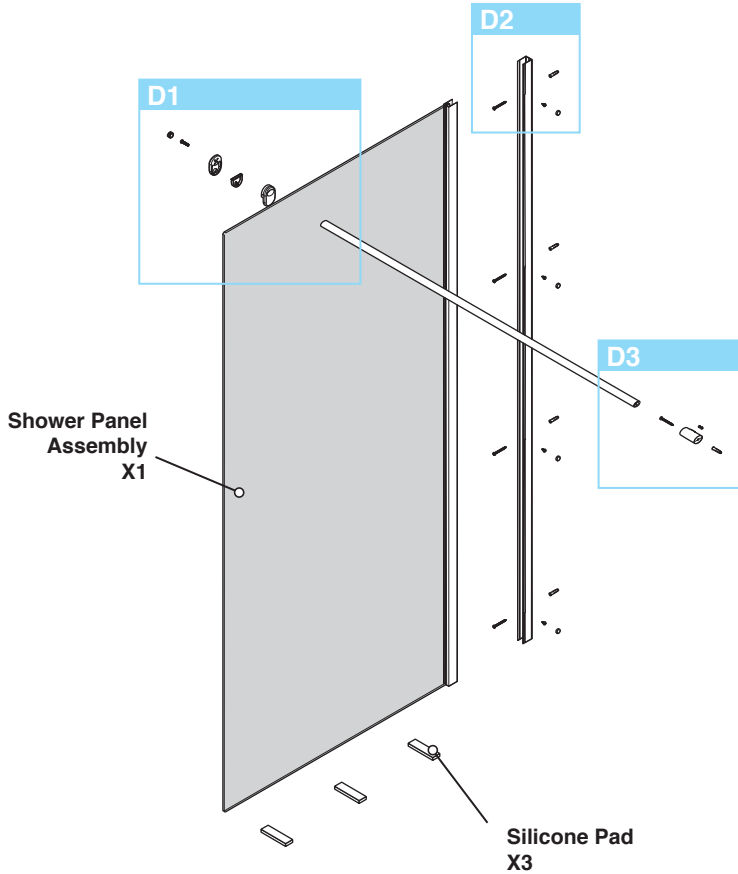
Parts & Fittings Supplied



Please notify the retailer immediately of any damage or faults. The manufacturer cannot be held responsible for any installation costs that may arise from a damaged or faulty product being installed.



Keep small parts away from children

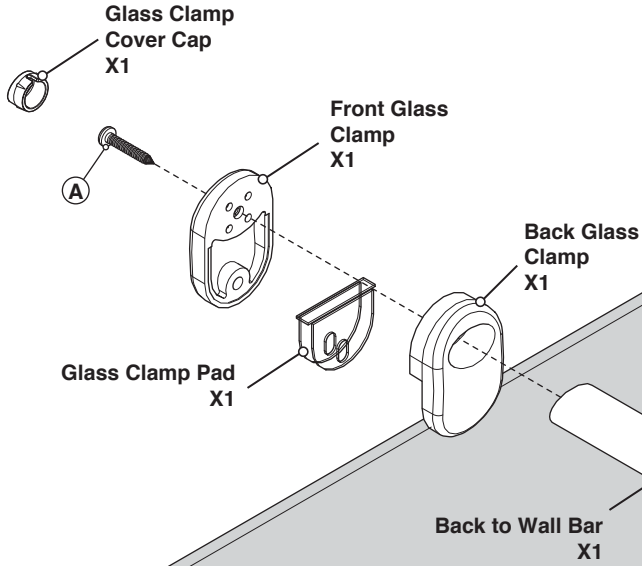


Allen Keys Supplied

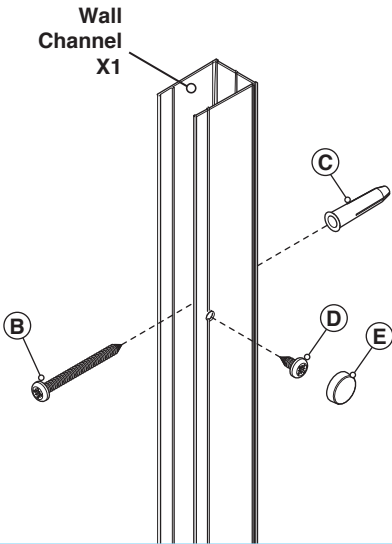


2.5mm Allen Key

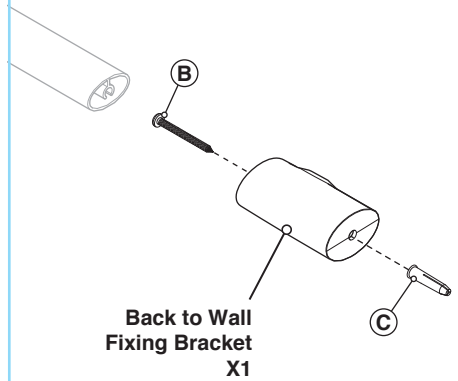
D1



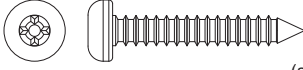
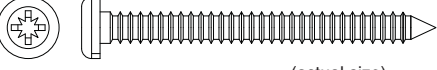
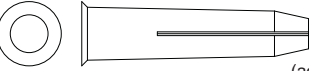
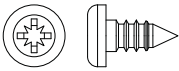

D2



D3



Loose Screws & Fittings Supplied

<p>(A)</p>	<p>No.8 x 1" Pan Head Pozi Screw</p>	 <p>(actual size)</p>	<p>Qty</p> <hr/> <p>x1</p>
<p>(B)</p>	<p>No.8 x 1¾" Pan Head Pozi Screws</p>	 <p>(actual size)</p>	<p>Qty</p> <hr/> <p>x5</p>
<p>(C)</p>	<p>Wall Plugs</p>	 <p>(actual size)</p>	<p>Qty</p> <hr/> <p>x5</p>
<p>(D)</p>	<p>No.8 x ¾" Pan Head Pozi Screws</p>	 <p>(actual size)</p>	<p>Qty</p> <hr/> <p>x4</p>
<p>(E)</p>	<p>Screw Snap Cap</p>	 <p>(actual size)</p>	<p>Qty</p> <hr/> <p>x4</p>



Position Wall Channel on wall as shown, ensure Wall Channel is fixed level.



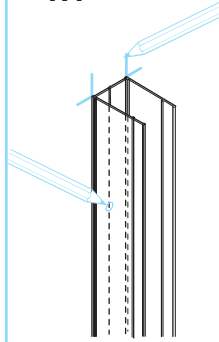
Wall Plugs supplied are for solid walls only. Ensure correct Wall Plugs for wall type is used. If in doubt seek professional advice.



Tip: When drilling tiles apply masking tape to surface to stop drill bit slipping.

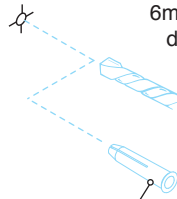
Inside View

1.1



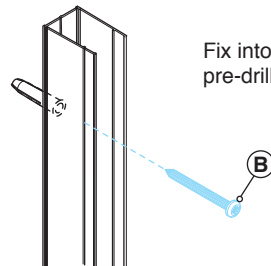
Mark position of pre-drilled Wall Channel fixing holes.

1.2



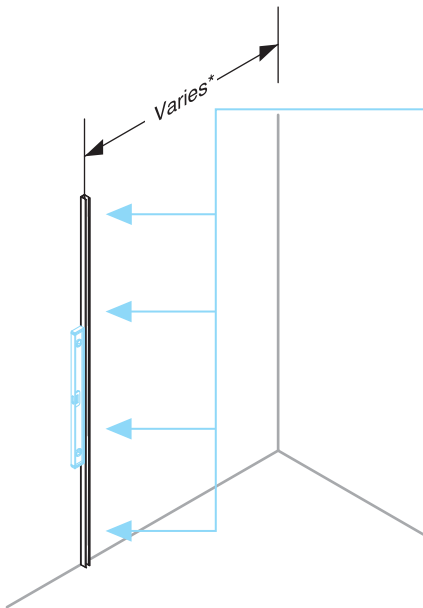
6mm dia. holes with drill bit suitable for wall surface.

1.3



Fix into pre-drilled holes.

1



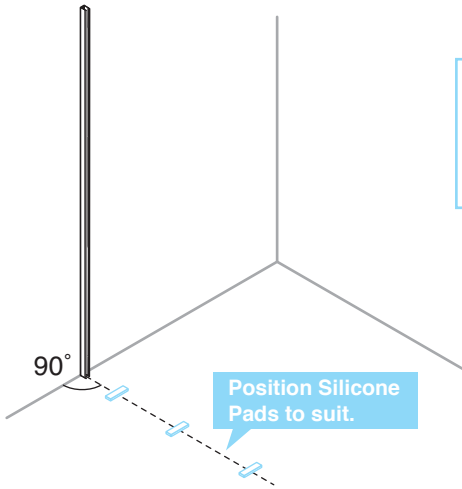
*Maximum from support wall to inside face of Wall Channel is 1180mm**.

**Please Note:

Dimension given is only a guide and does not account for walls being out. If Modular Shower Panel is being installed onto a Tray ensure that Wall Channel is positioned suitably in relation to Tray.

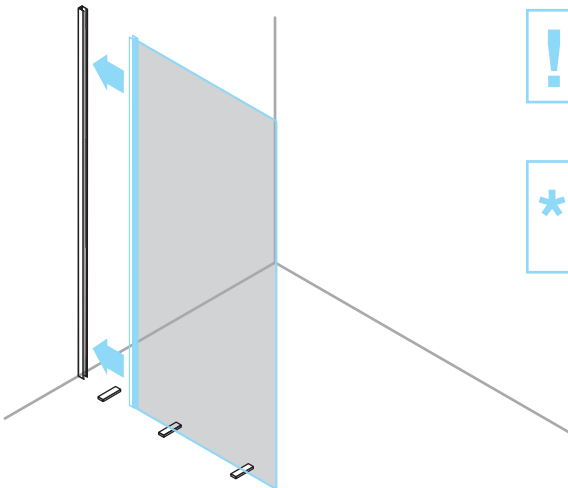
Wetfloor Fixing only:

2



Ensure Silicone Pads are positioned parallel to Wall Channel and are spaced suitable to suit Shower Panel Assembly width.

3



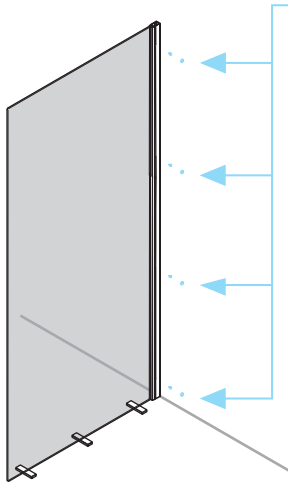
Take Care when handling unframed glass.



WETFLOOR INSTALLATION ONLY:
Lightly position Shower Panel Assembly onto Silicone Pads.

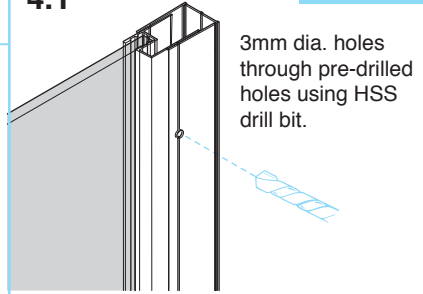
Inside View

4

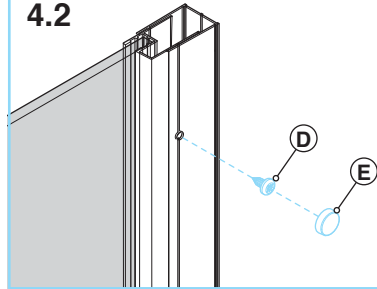


4.1

Inside View

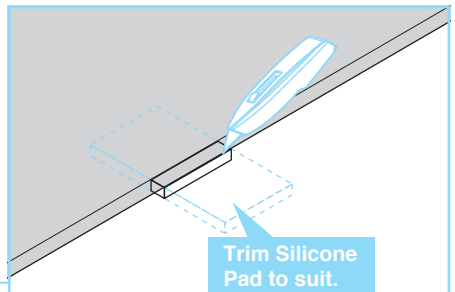
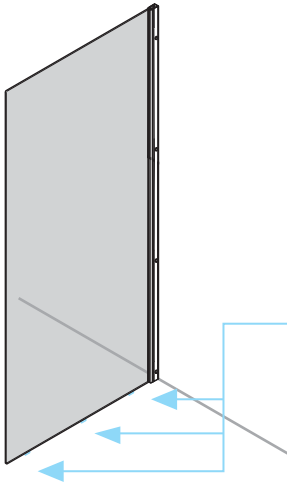


4.2



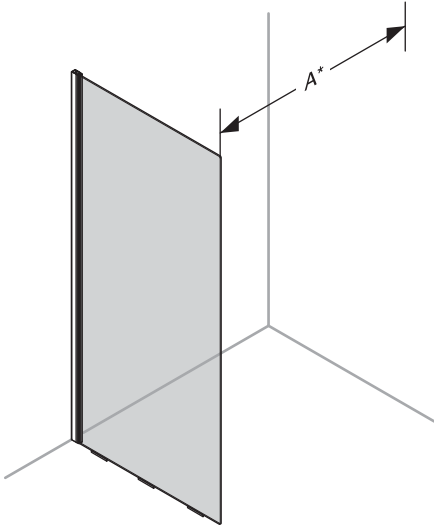
Wetfloor Fixing only:
Inside View

5



Take Care not to damage Wetfloor.

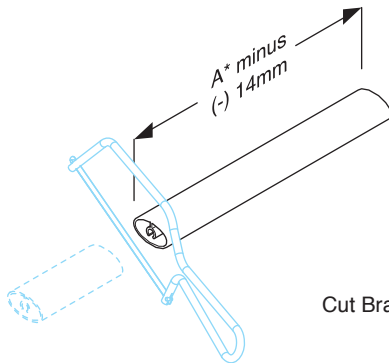
6



Measure dimension A*.

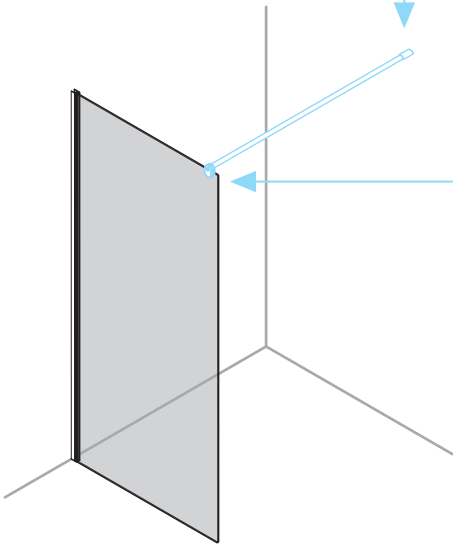
*A = Distance from support wall to outside face of the glass.

7

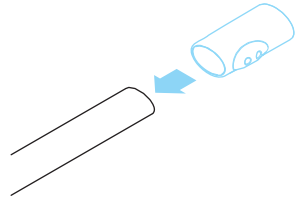


Cut Brace Bar to suit.

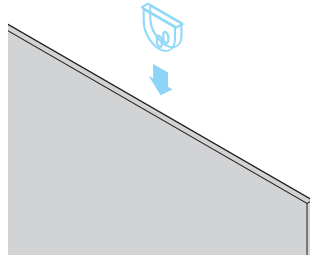
8



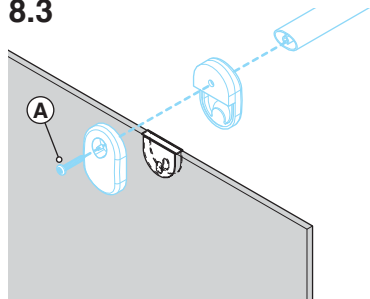
8.1



8.2

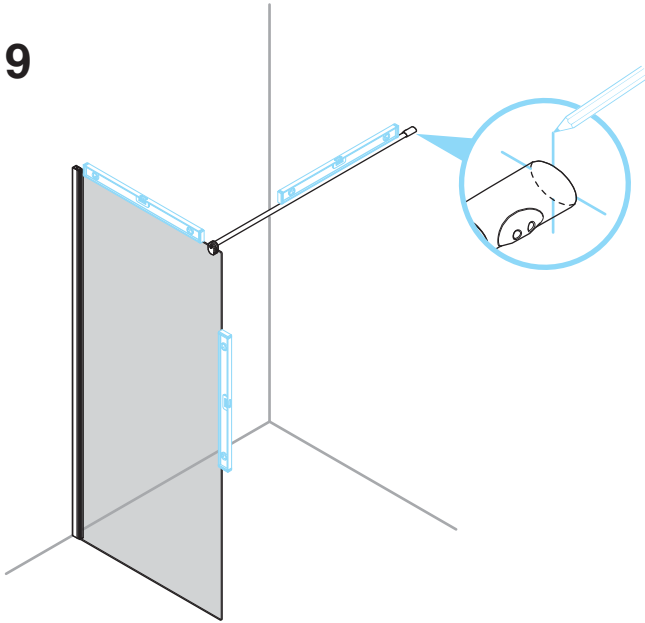


8.3



IMPORTANT NOTE:
Do NOT fit Glass Clamp
Cover Cap at this stage.

9

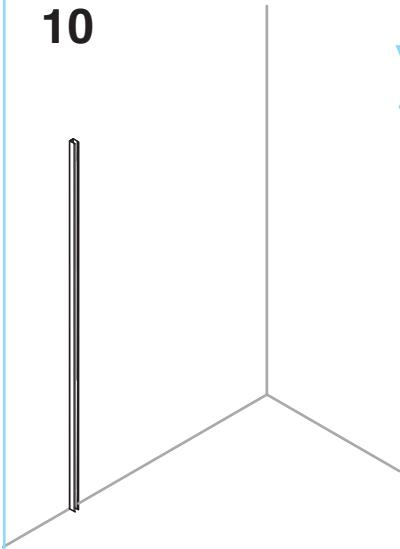


Mark Back to
Wall Fixing
Bracket position.

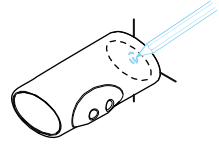


Ensure Back to Wall bar
is both level and straight.

10



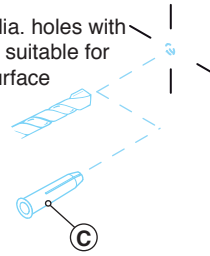
10.1



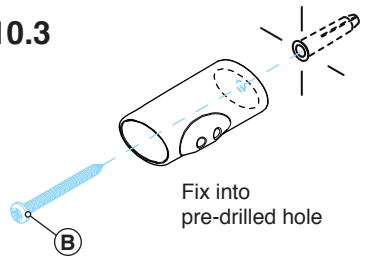
Mark position of pre-drilled Wall Channel fixing hole

10.2

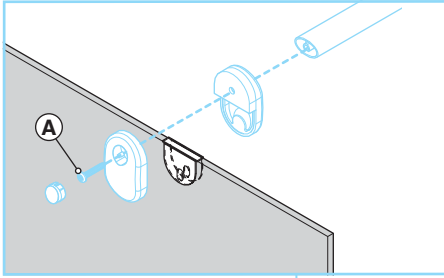
6mm dia. holes with drill bit suitable for wall surface



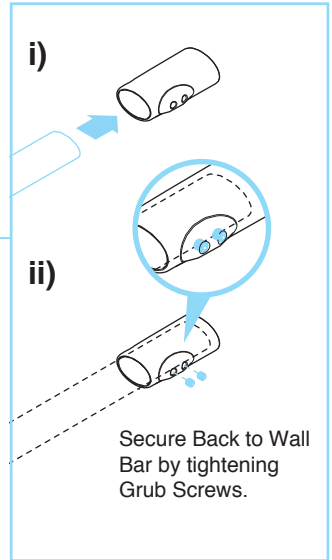
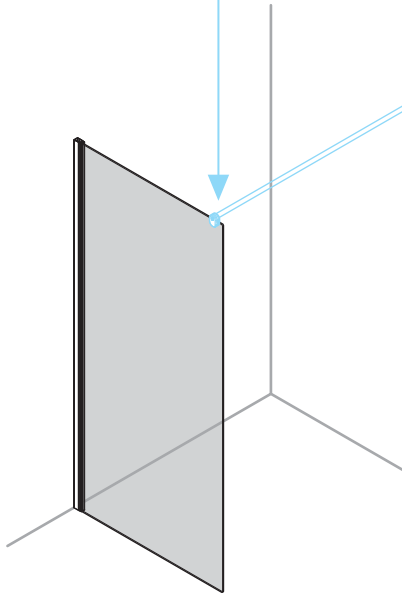
10.3



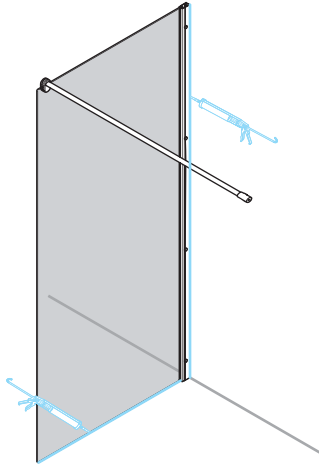
Fix into pre-drilled hole



11



12

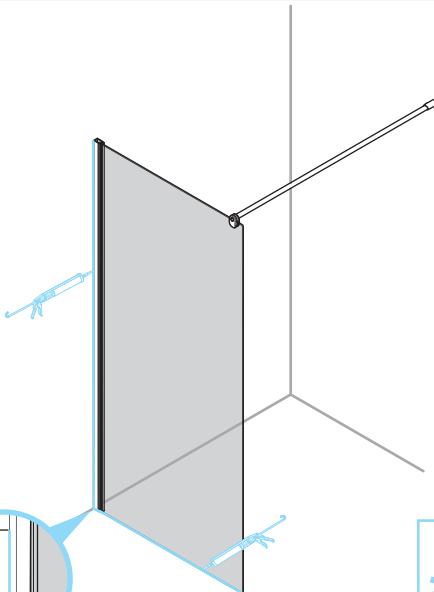


Apply Silicone Sealant, (not supplied).



Apply Silicone Sealant vertically between Wall Channel and wall, horizontally between glass and Tray only.

13



150mm



Apply Silicone Sealant, (not supplied).



Silicone Sealant to be applied around the entire outer perimeter.



Product Care:
Use a non abrasive cleaner. Water marks can be removed with a proprietary limescale remover or household vinegar.

Notes: