

PHL Leg Set
EL15

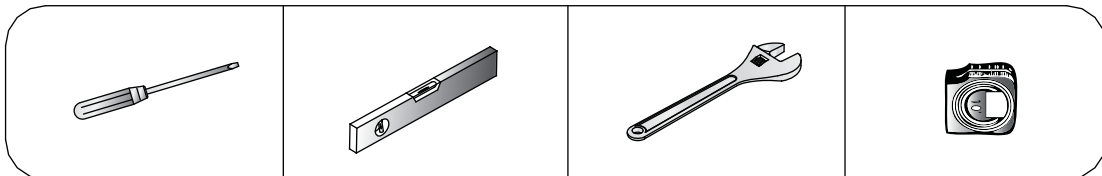


Claw Feet
L4B
L4W
L4C

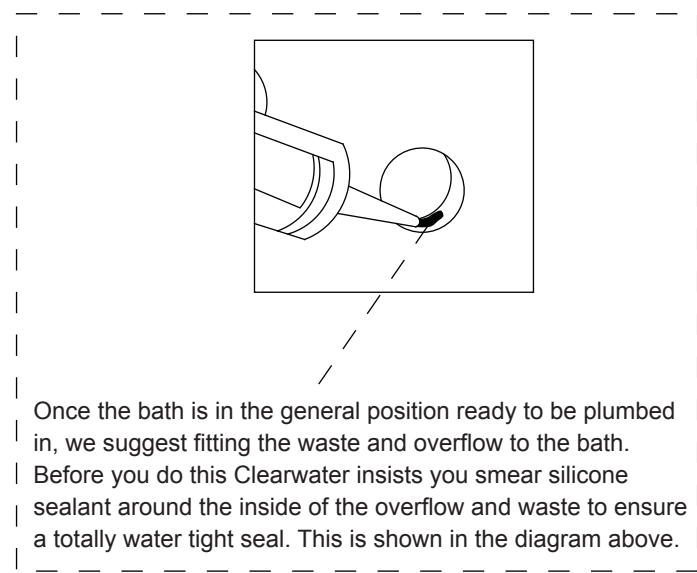
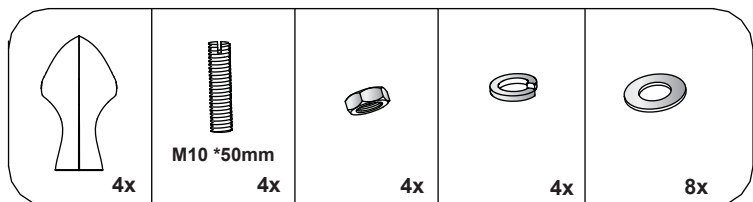


Space Age Feet
L5B
L5W
L5C

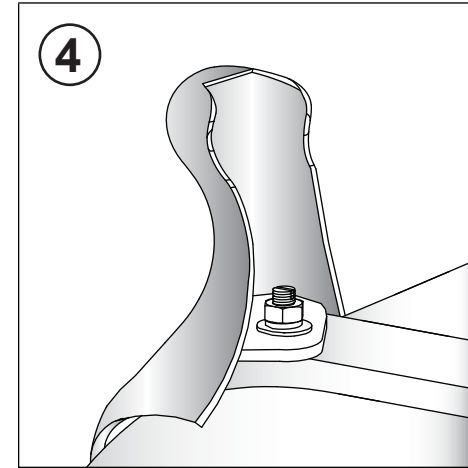
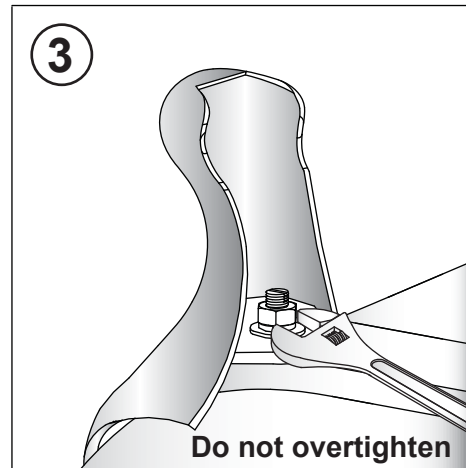
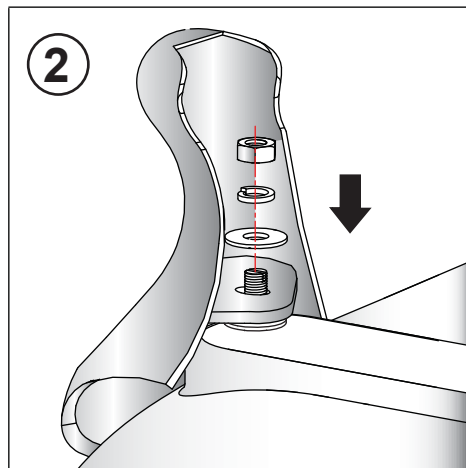
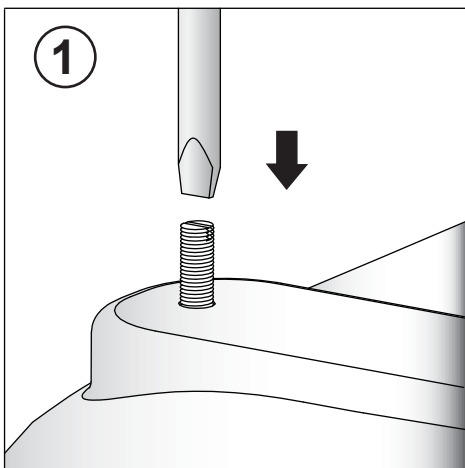
Tools required:



Parts supplied:



- Prior to installation check that all parts have been supplied.
- Assemble bath on a mat to protect against damage to bath surface.
- Bath diagram shown below is for reference only and bath legs fit to all baths.
- This product requires a two person lift - use proper lifting techniques.
- This installation guide does not include details of waste connection; final decision about installation of waste connection should be taken by a suitably qualified person.
- Follow each step in turn.



To secure the bath to the floor place a small amount of silicone under each foot where it meets the floor.