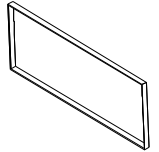






Front bath panel 1500 R23F
 Front bath panel 1600 R24F
 Front bath panel 1700 R25F
 Front bath panel 1800 R26F



End bath panel 700 R27E
 End bath panel 750 R28E
 End bath panel 800 R29E



FRONT PANEL

1x 

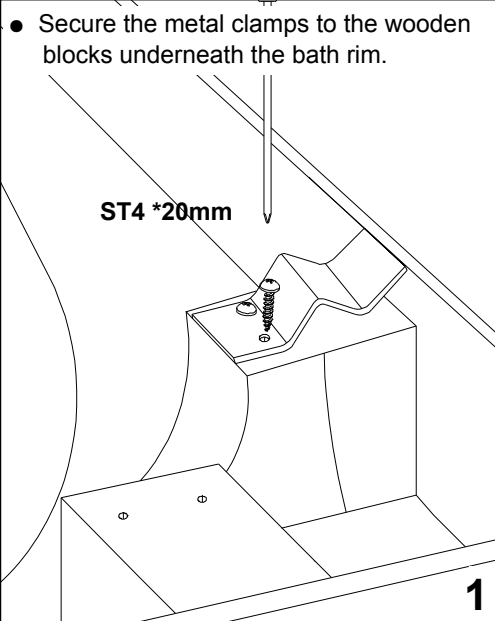
ST4 *20mm  4x 

8x  4x 

ST4 *25mm  2x 

2x  2x 

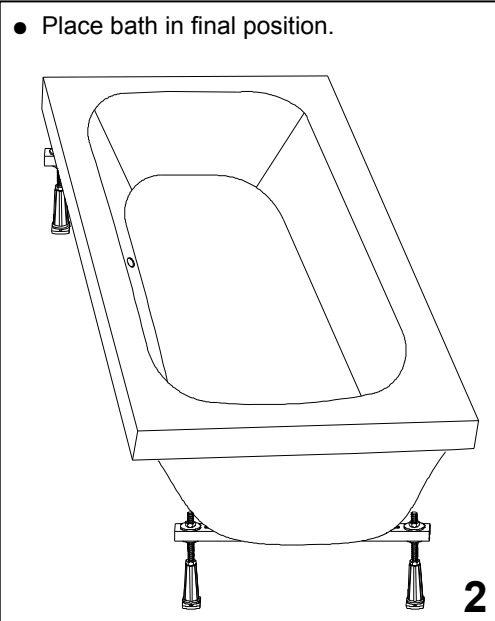
- Secure the metal clamps to the wooden blocks underneath the bath rim.



ST4 *20mm

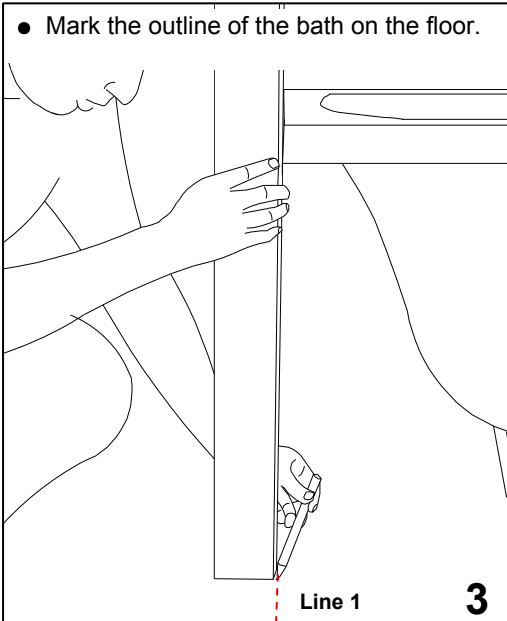
1

- Place bath in final position.



2

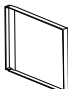
- Mark the outline of the bath on the floor.







Line 1



3



END PANEL

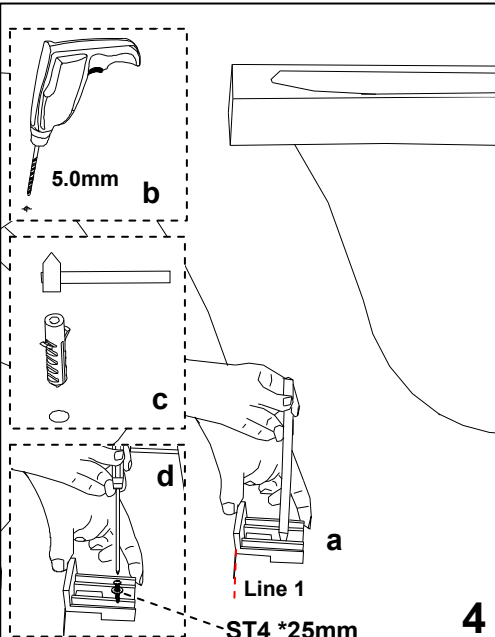
1x 

ST4 *20mm  4x 

4x  2x 

ST4 *25mm  2x 

2x  2x 



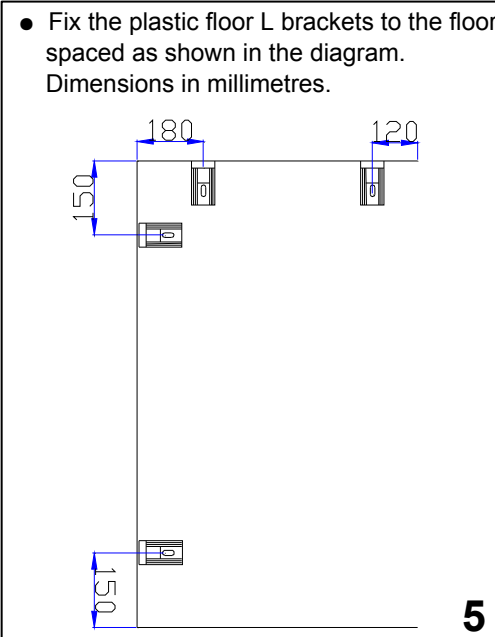
5.0mm

4

Line 1

ST4 *25mm

- Fix the plastic floor L brackets to the floor spaced as shown in the diagram. Dimensions in millimetres.



180

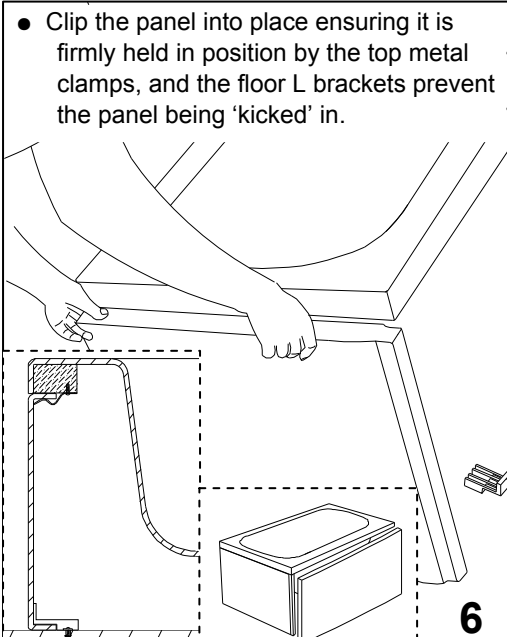
120

150

150

5

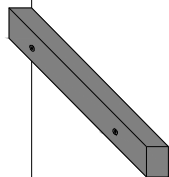
- Clip the panel into place ensuring it is firmly held in position by the top metal clamps, and the floor L brackets prevent the panel being 'kicked' in.



6

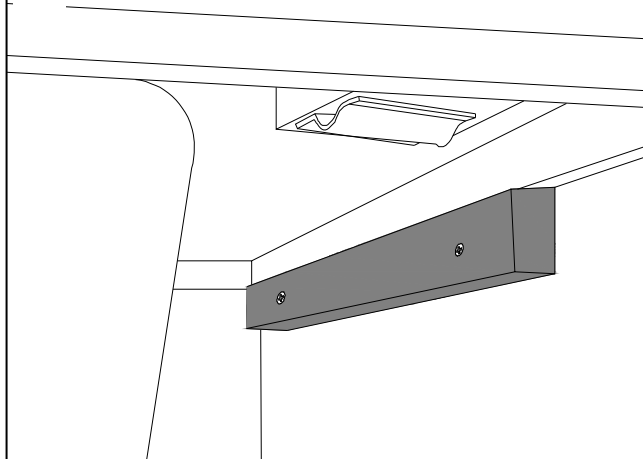
- Place the bath in position to determine height, water and soil requirements.

1



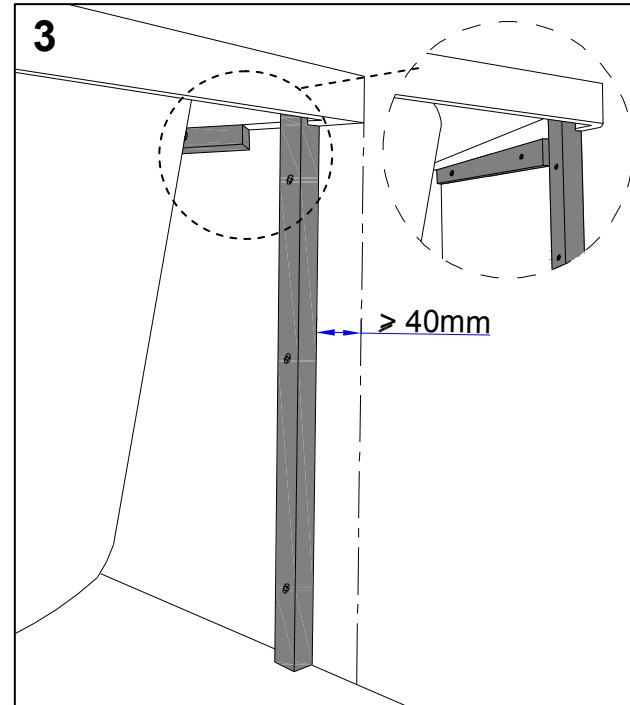
- Screw a batten of 2" by 1" treated timber to the wall horizontally to support the bath rim. This ensures that the bath will remain stable and the rim cannot flex.

2



- Place the bath back into position. Attach all water and waste connections.

3

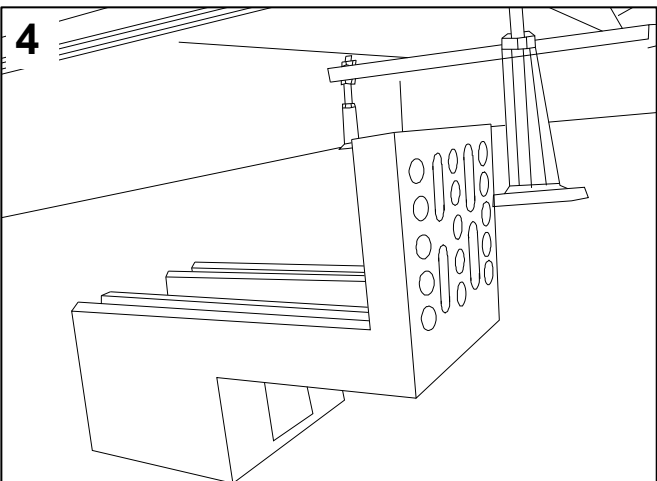


- Screw another 2" by 1" treated timber batten vertically onto the wall, clamping the bath to the wall. This batten should be at least 40mm in from the corner of the bath. This batten will provide additional rim support. This should be done on both corners to securely hold the bath in place.

'Acrylic baths will flex when filled with water, so it is important that your bath is installed to allow for some movement.'

The weight of the bath should be taken by the feet and not battens. Battens are a good way of supporting the rim of a bath, but can cause stress points. They should not be physically attached to the blocks underneath the bath, and ideally there should be a small gap between the blocks and battens.'

4



- When installing the bath panels, remember to install the floor fixed L brackets so as to prevent the bottom of the panel being 'kicked' in. See section 4, 5 and 6 on previous page.

