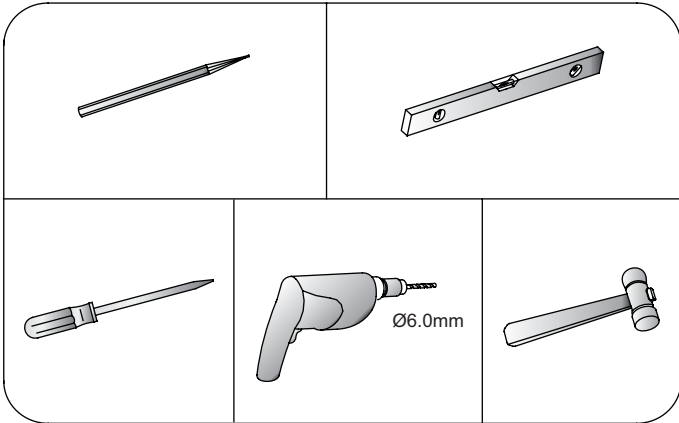
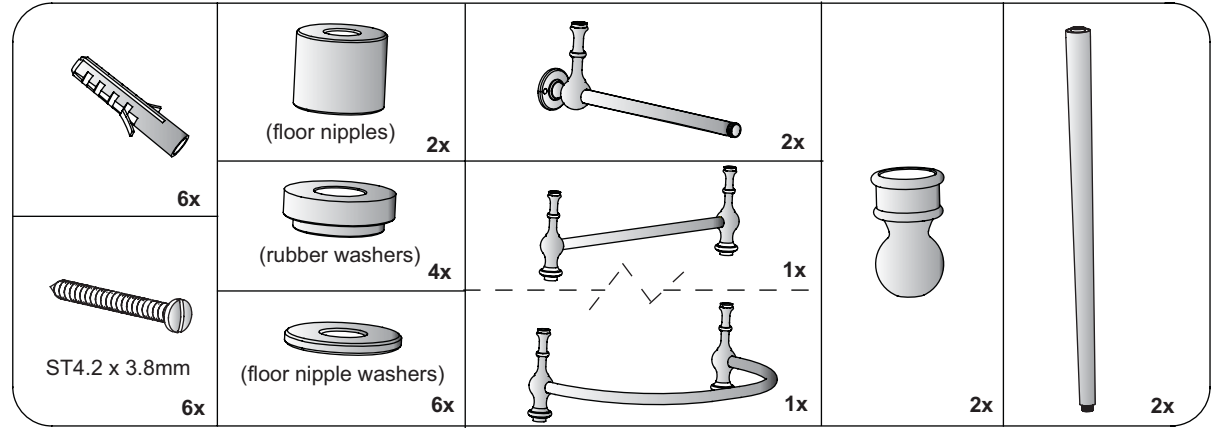


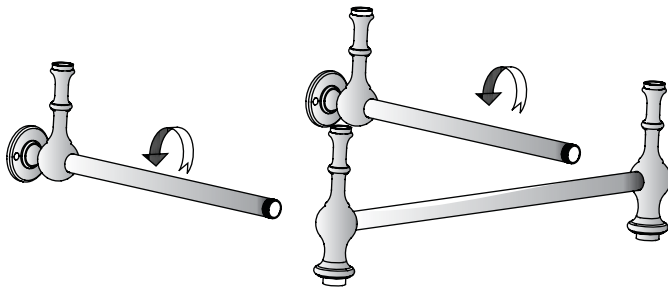
**Tools required:**



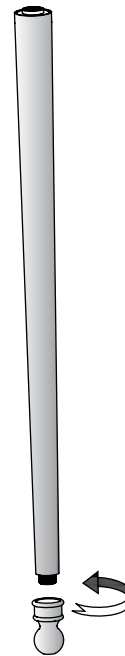
**Parts supplied:**



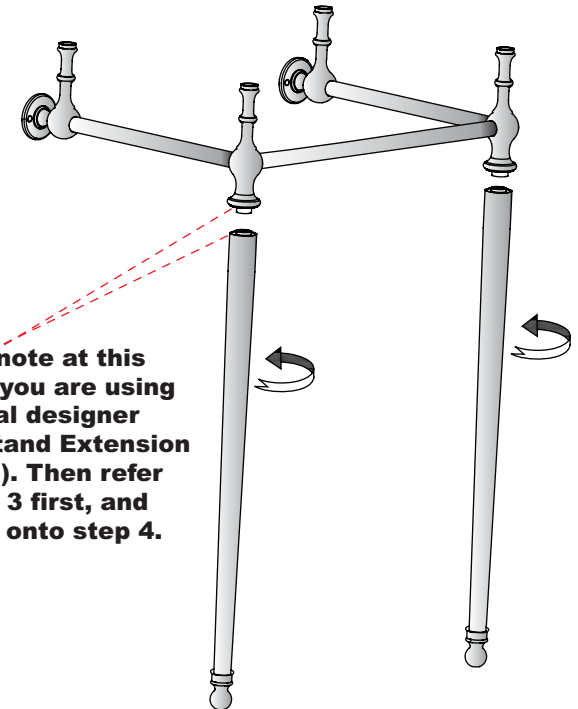
**1** Attach the two horizontal rails to the front rail.



**2**

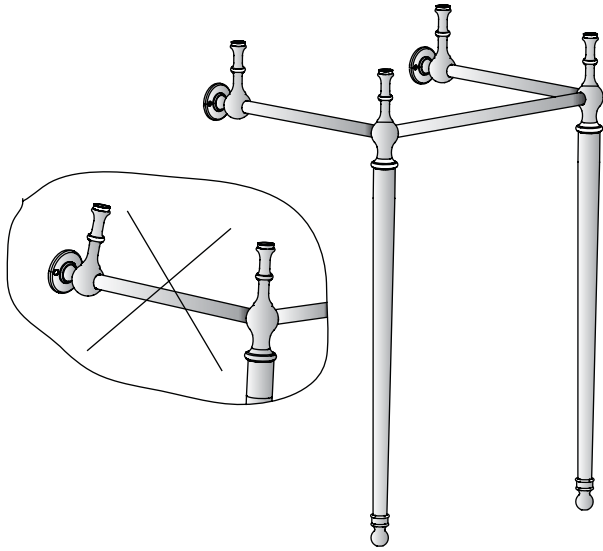


**3** Screw the legs into the rail.

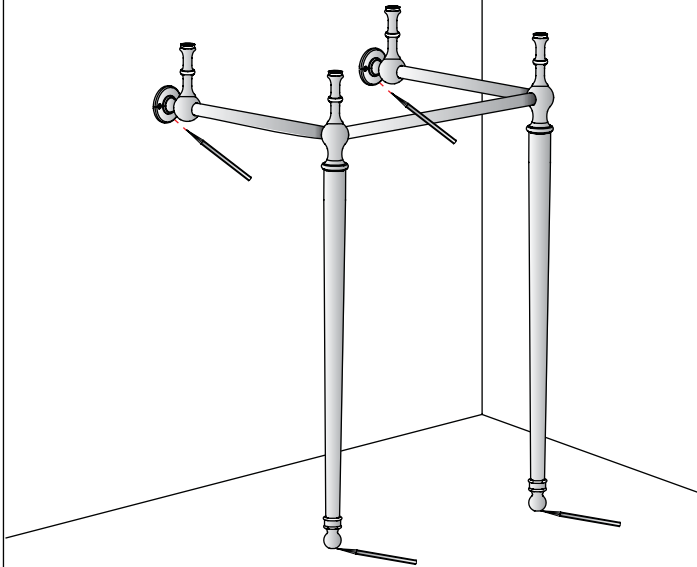


**Please note at this step, if you are using the regal designer basin stand Extension kit (T62). Then refer to page 3 first, and then go onto step 4.**

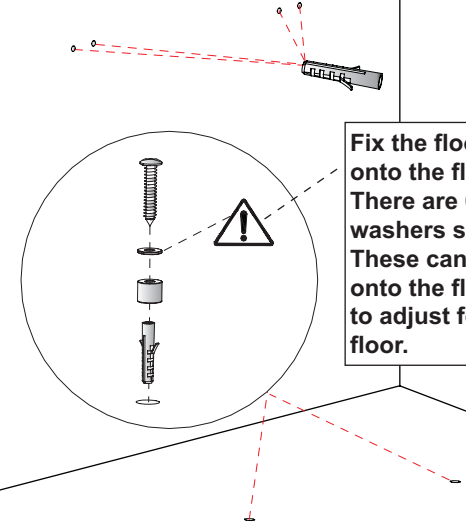
- 4** Check that the horizontal bracket bar is vertical using a spirit level.



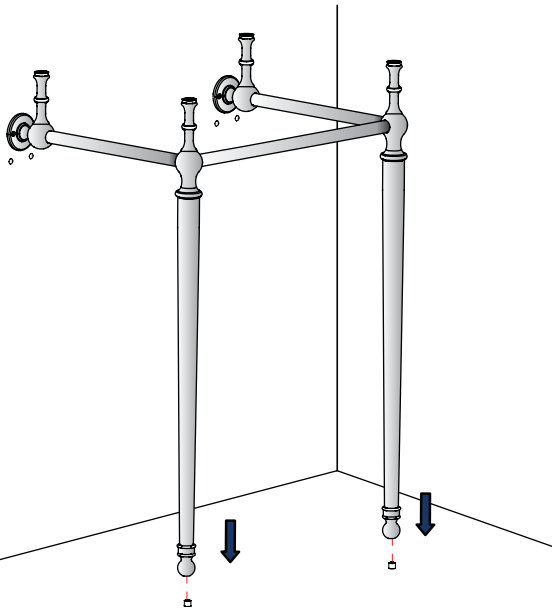
- 5** Determine the final installation position and mark the 4 wall and two floor fixing hole positions in pencil.



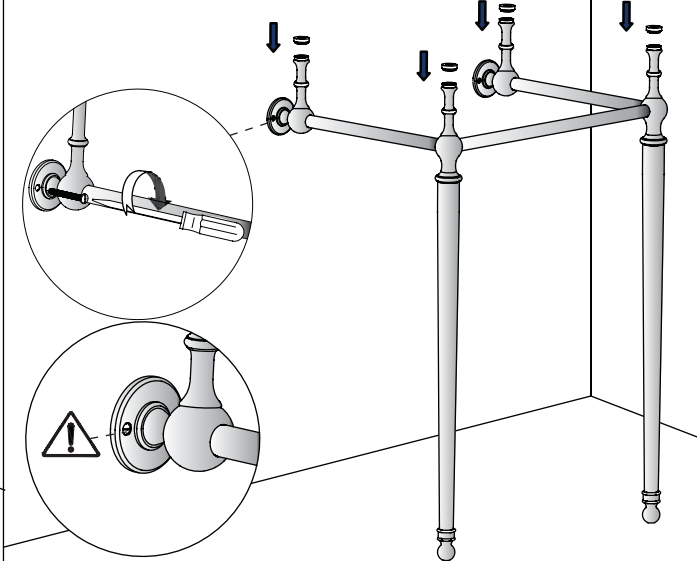
- 6** Using a 6mm drill bit drill the six holes on the marked positions (note: In the event that the wall / floor fixings supplied being inappropriate for the wall / floor, please source alternatives).



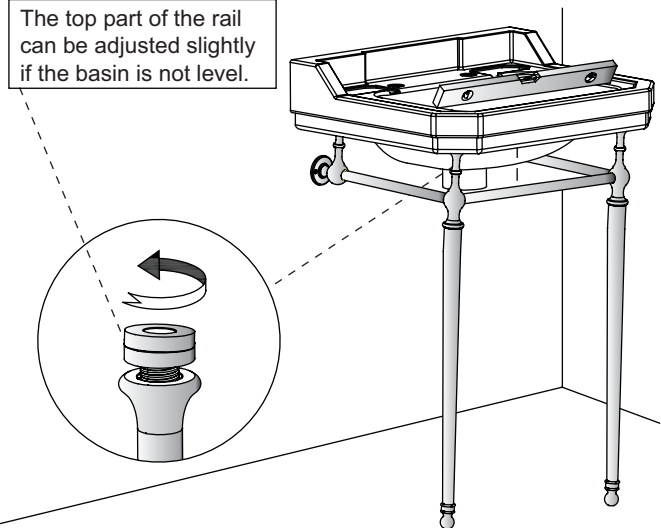
- 7** Fit the two legs over the floor nipples.



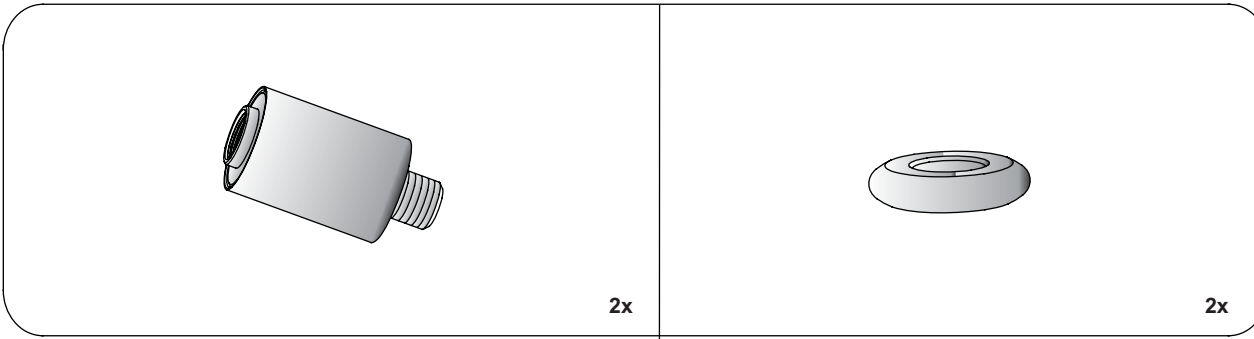
- 8** Fix each of the two brackets onto the wall using the 4 screws provided. Ensure that the screw heads are parallel to the floor. Place the 4 rubber washers into the 4 recesses as shown.



- 9** Place the basin in position ensuring that it is level. The basin must be fixed to the wall at the rear using appropriate wall screws.



**Parts supplied:**



Please refer to the basin stand instruction for the more detail basin stand installation.

