

## **AFTERCARE INSTRUCTIONS**

Your fitting has a high quality finish and should be treated with care to preserve the visible surfaces.

All surface finishes will wear if not cleaned correctly, the only safe way to clean your mixer is to wipe with a soft damp cloth. Stains can be removed using washing up liquid. All bath cleaning powders and liquids will damage the surface of your fitting, even the non-scratch cleaners. **NOTE: Never use abrasive detergents or disinfectants or those containing alcohol, hydrochloric acid or phosphoric acid.**

Bristan recommend E-Cloth for cleaning all of our bathroom & kitchen products. Using just water, E-cloth gives a smear free, deep clean by breaking up and holding dirt, which normal cloths leave behind. Order through your Bristan stockist. (ORDER CODE: E-CLOTH)



## **GUARANTEE**

All products are manufactured to the highest standards and a 5 year guarantee covers any defect in manufacture.

**All products must have access for servicing or replacement during the life of the product.**

In the interests of continuous product development we reserve the right to alter specification as necessary

## **PRODUCT CODE:**

**PRODUCT IDENTIFICATION CODE LASER ETCHED ON PRODUCT**  
Installer please fill in code here \_\_\_\_\_ . (Where applicable)

TELEPHONE HELPLINE! +44 (0)844 701 6273

Bristan Group Limited  
Birch Coppice Business Park  
Dordon  
Tamworth  
Staffordshire  
B78 1SG  
UK  
A Masco Company  
Website: [www.bristan.com](http://www.bristan.com)  
Telephone: +44 (0) 844 701 6274  
Facsimile: +44 (0) 844 701 6275  
Email: [enquire@bristan.com](mailto:enquire@bristan.com)

# BRISTAN

## **Unslotted Belfast Sink Waste (W SNK6 C/G/INF/BN/ABRZ)**

## **Fitting Instructions & Contents List**

## INSTALLATION

**N.B. Before installation, please write the name and product code of your fitting in the spaces provided overleaf. This will ensure a speedier service if you should need to phone the helpline.**

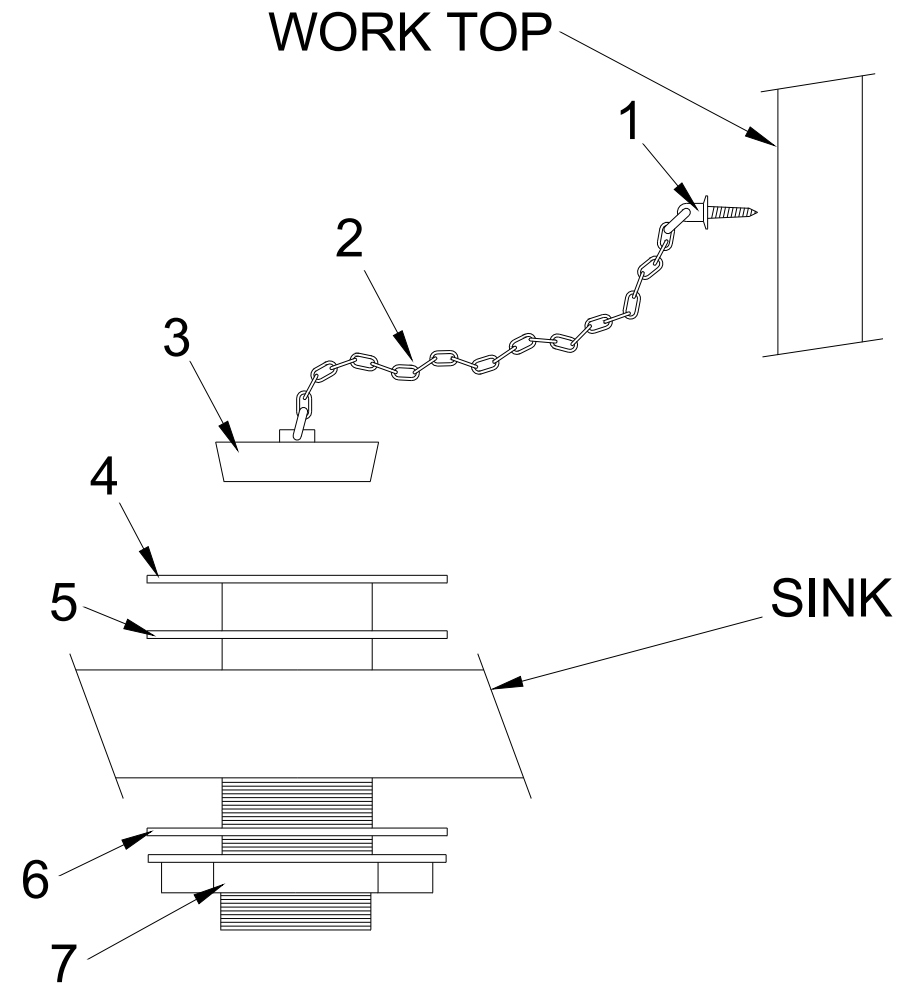
1. Identify all components and check for completeness, particularly before commencing installation.
2. Fit the waste body (4) and foam washer (5) to the sink.
3. Fit the foam washer (6) underneath of the sink as shown on the diagram, secure by tightening the backnut (7).

Use a pure silicon sealant where necessary.

4. Fit the stay (1) to the sink.
5. Check all joints and connections for leaks.
6. See the back page for aftercare instructions

## COMPONENTS

1. Sink Stay
2. Chain Assembly
3. Plug
4. Waste Body
5. Foam Washer
6. Foam Washer
7. Backnut



### **PLEASE NOTE:**

In the unlikely event you find a part missing, please contact our Customer Service helpline on **0844 701 6273** for immediate dispatch of part