

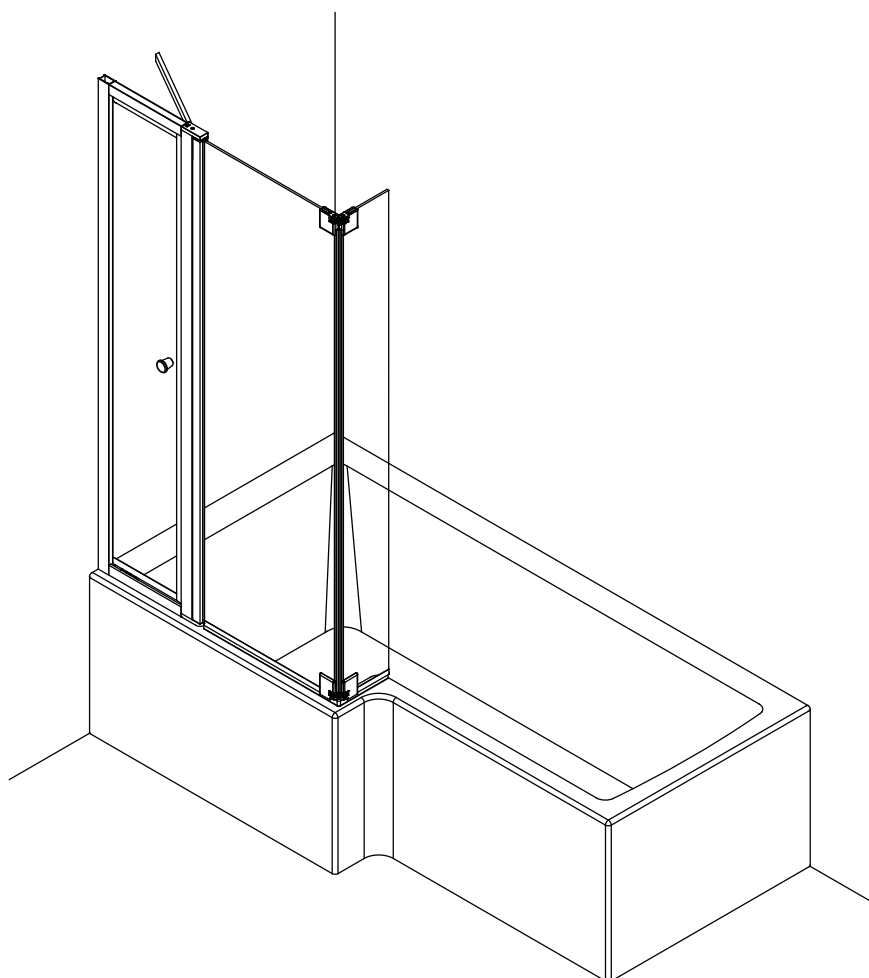
EcoSquare Bathscreen LH - BS8

Before Installation:

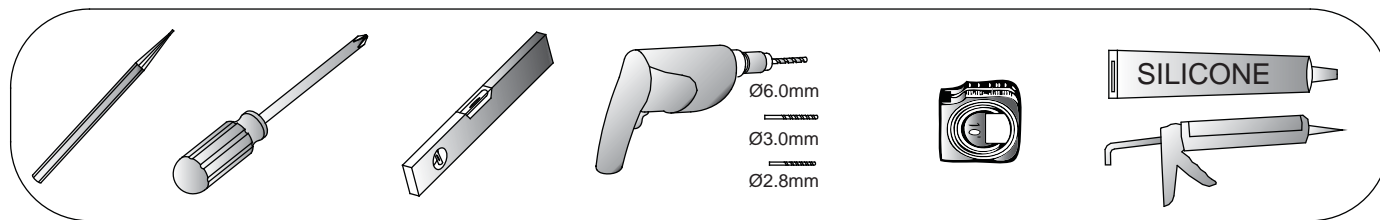
- Check the contents of the pack carefully before installation.
- The bath MUST be installed level and fully sealed to the tiles.
- Handle with care. Impacts can damage both the glass and the frame.
- Check for any hidden pipes or cables before drilling holes in the wall.
- The wall fixings supplied may not be suitable for your installation. You may need to source alternatives depending on the construction of the wall you are fixing to.
- Follow each step in turn.

Care and Cleaning:

- Do not use solvents or abrasive material or chemicals to clean the enclosure.
- Only clean using soapy water and a soft cloth, rinse thoroughly afterwards.

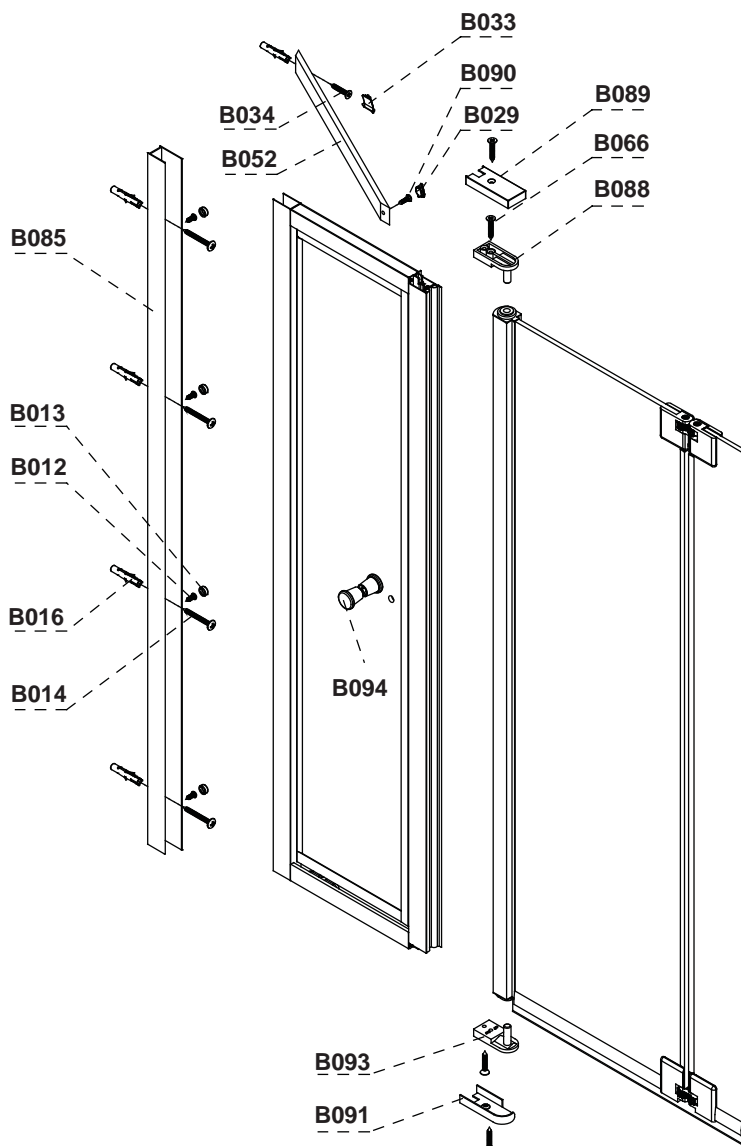


Tools required:



Parts supplied:

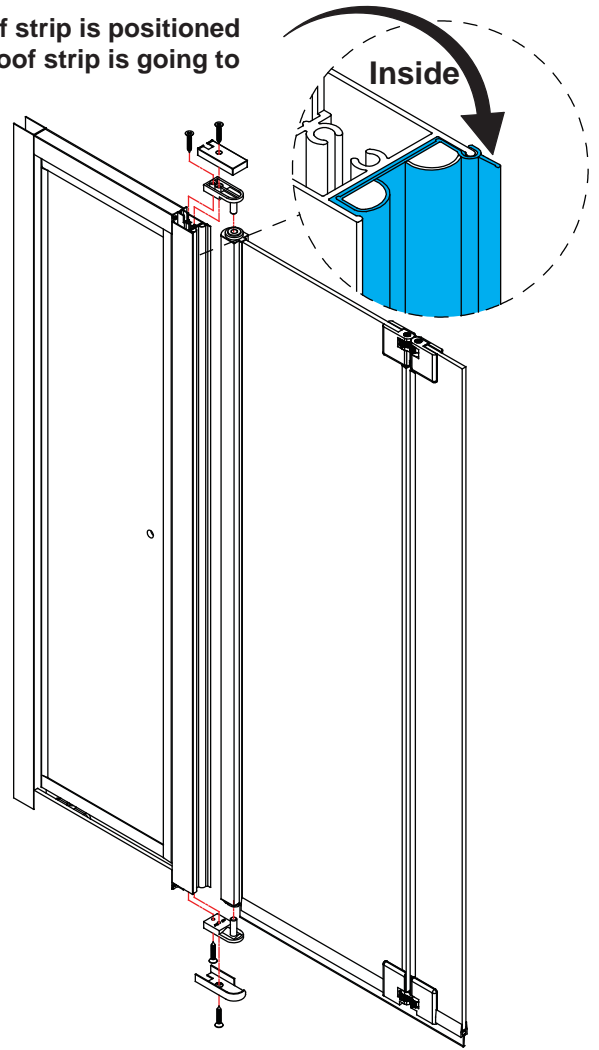
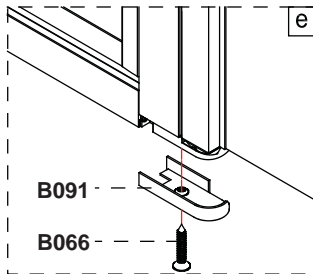
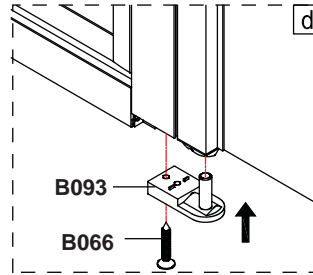
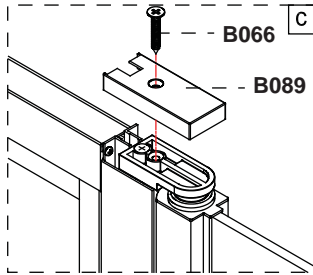
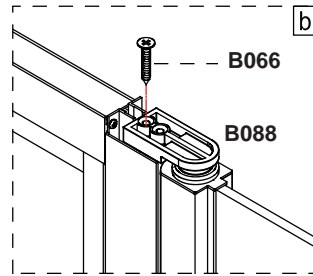
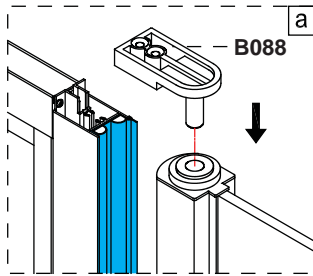
EcoSquare Bathscreen LH - BS8



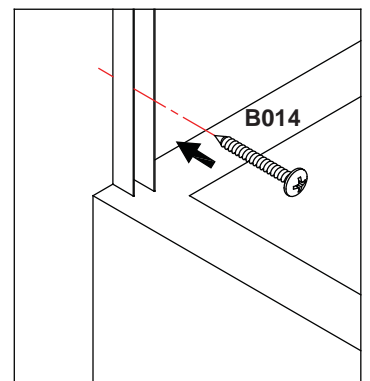
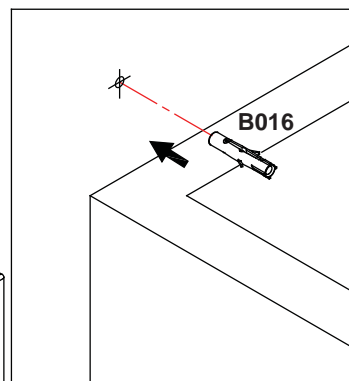
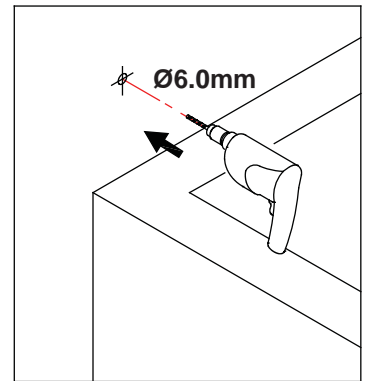
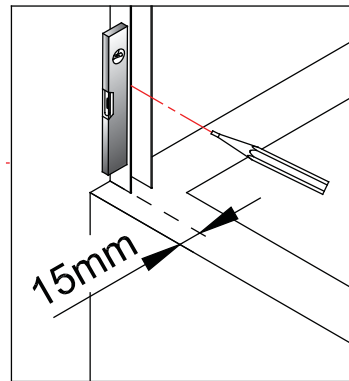
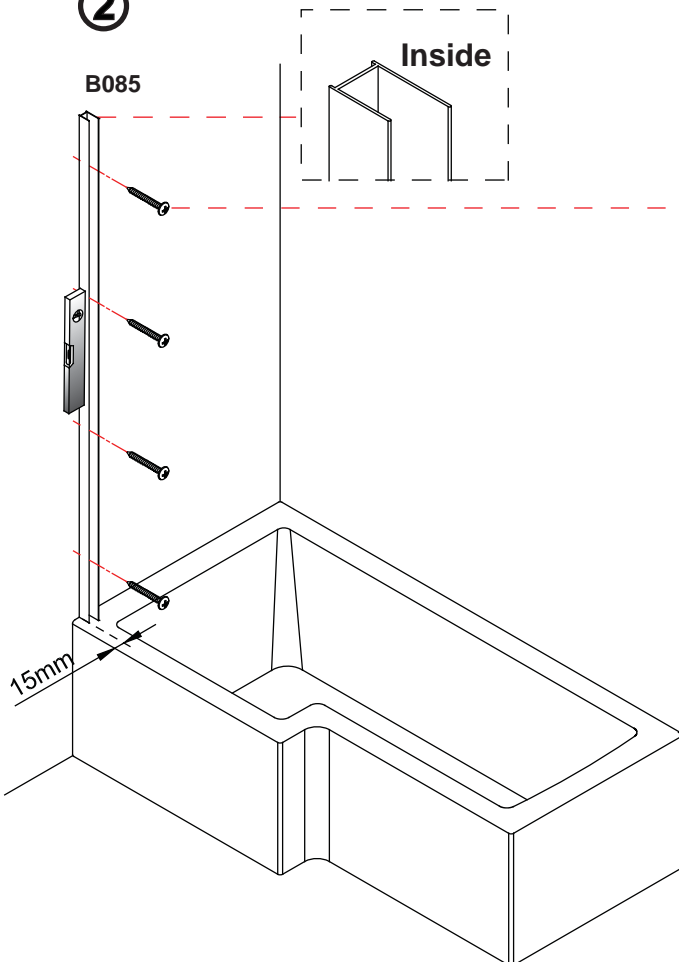
B088 1x	B066 4x ST4*30mm	B089 1x	B029 1x	B090 1x ST4*10mm	B033 1x
B034 1x ST4*35mm	B052 1x	B085 1x	B013 4x	B012 4x ST3.5*10mm	B016 5x
B014 4x ST4*50mm	B091 1x	B093 1x	B094 1x		

1

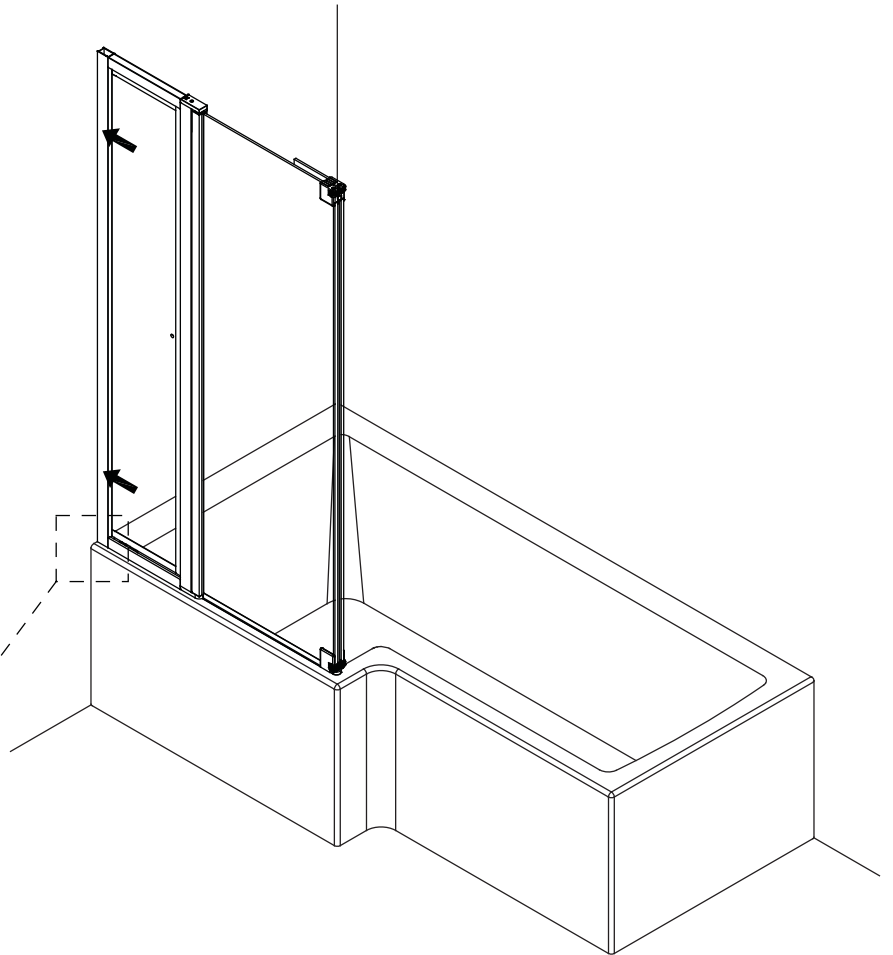
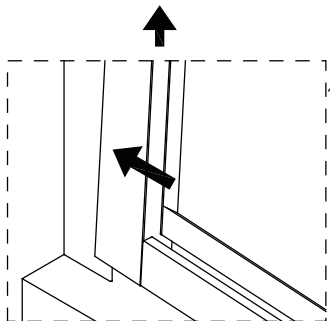
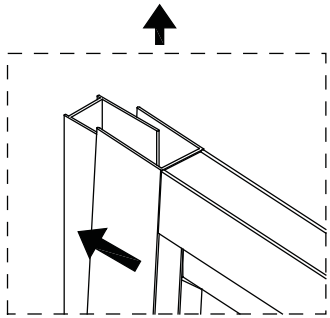
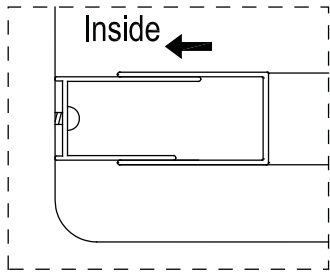
Ensure that the fixed panel with waterproof strip is positioned for assembly, so that the lip of the waterproof strip is going to be on the inside of the bath.



2



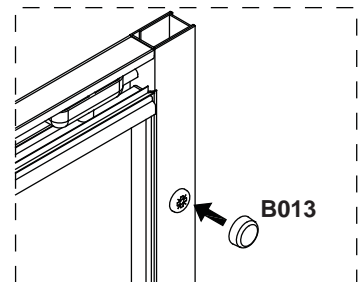
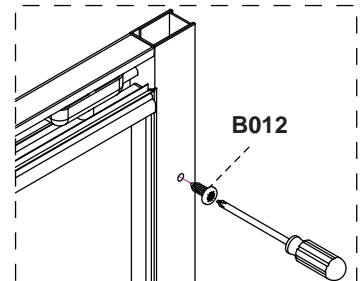
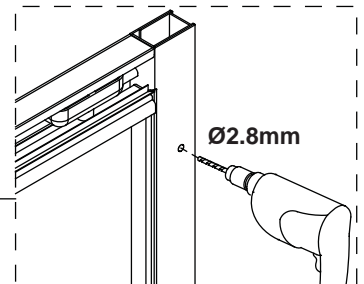
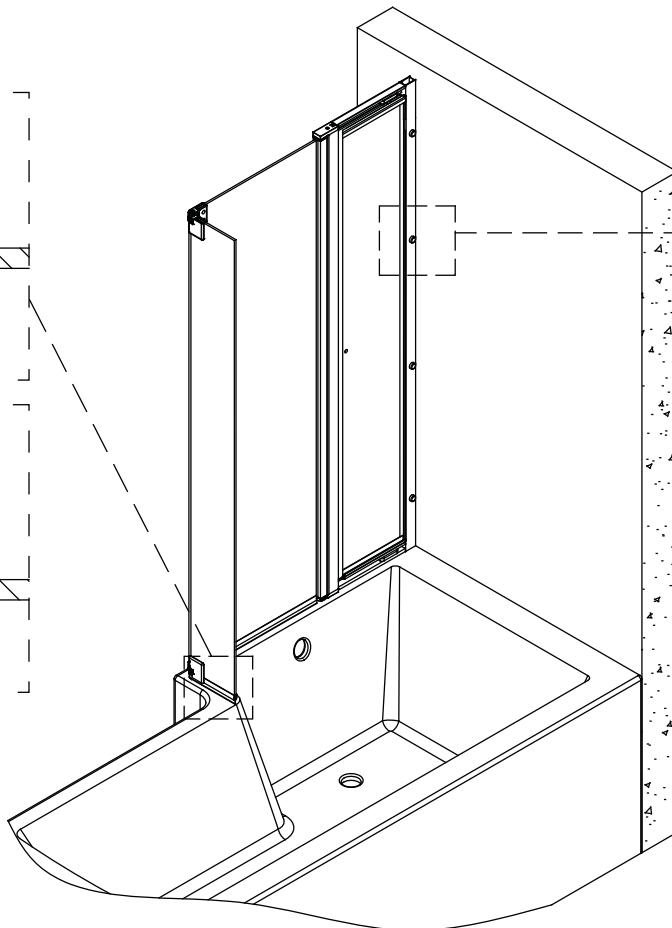
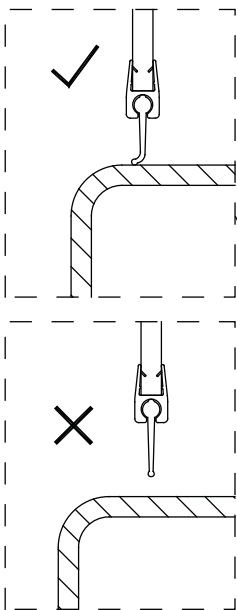
3



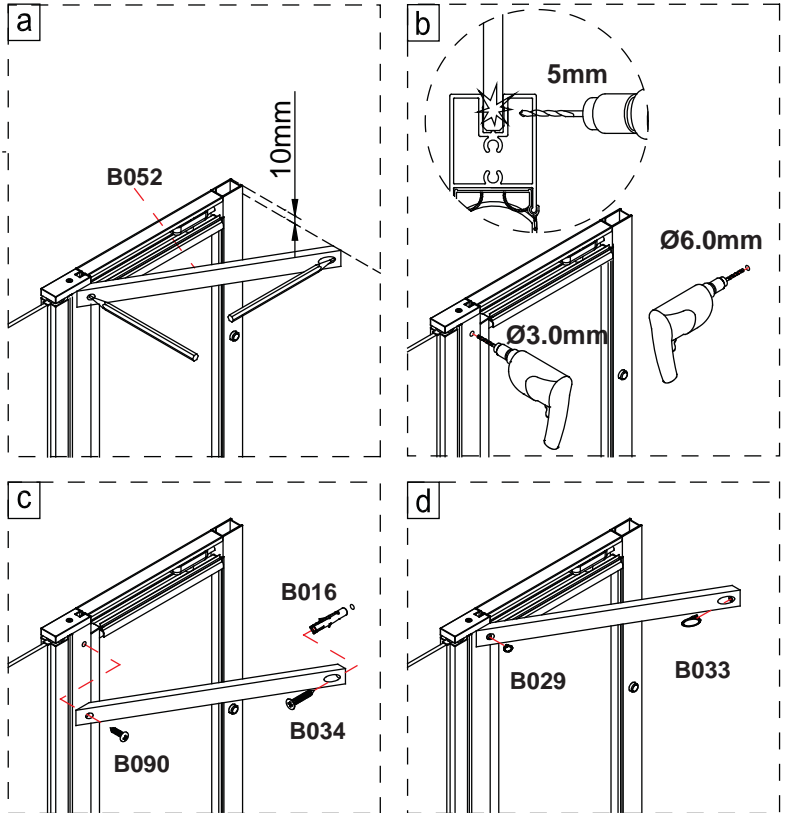
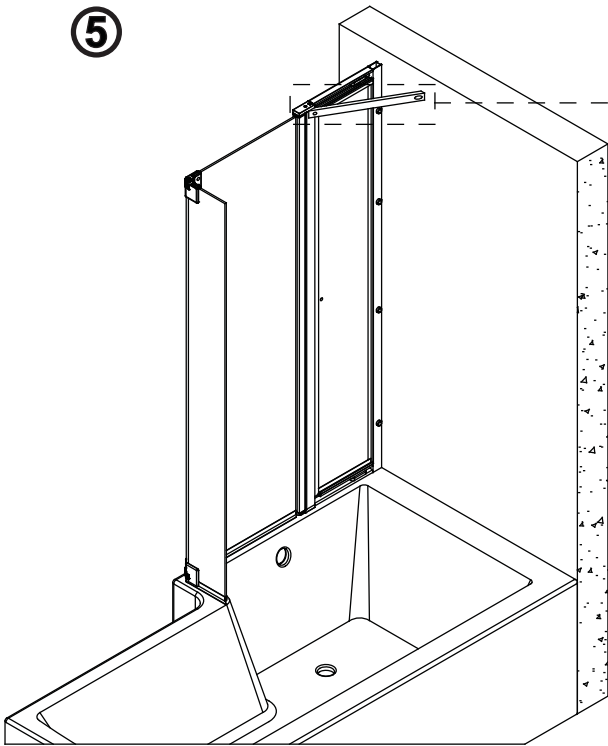
4



Firmly push the screen profile onto the wall profile, ensure the screen profile is as close to the wall as possible. Before securing the screen to the profile ensure that the gap between the screen and the bath is equal along its whole length.



5



6

