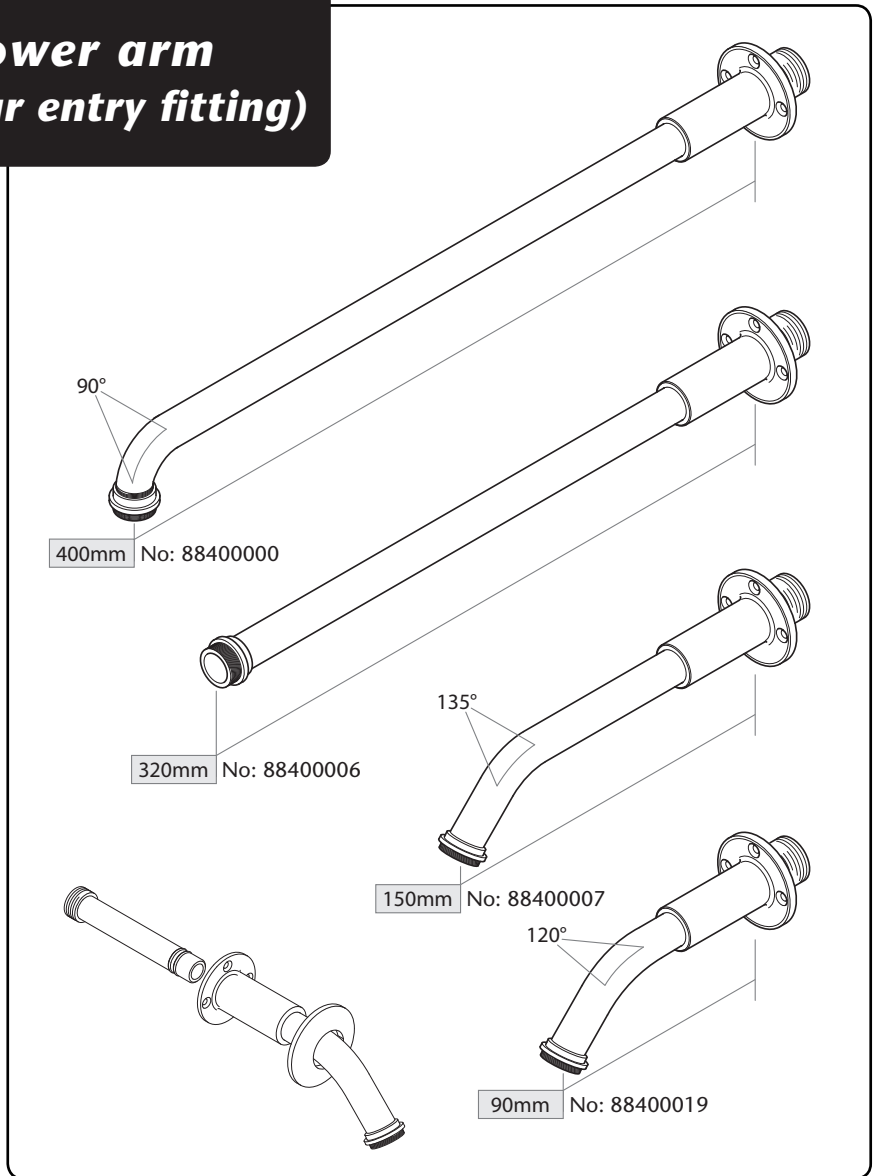


Shower arm (rear entry fitting)



INSTALLERS PLEASE NOTE THESE INSTRUCTIONS ARE TO BE LEFT WITH THE USER

SHOWER ARM (rear entry fitting) Material: Brass construction

INSTALLATION

Install the adapter into a suitable fitting (**wall plate elbow or similar*) and guarantee that the flush fitted pipe work has suitable support.

It is not advisable to fix the arm through the plasterboard alone, please consider a strong rear support. A maximum guide dimension of 31mm is given from the rear of the adaptor to the face of the exterior wall. (**fig.1**).

When the adapter is secure and the wall is made good, carefully slide the shower arm onto the adapter and mark the three fixing holes making certain that the shower arm is aligned vertically above the mixer shower.

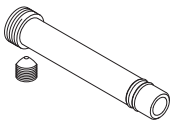
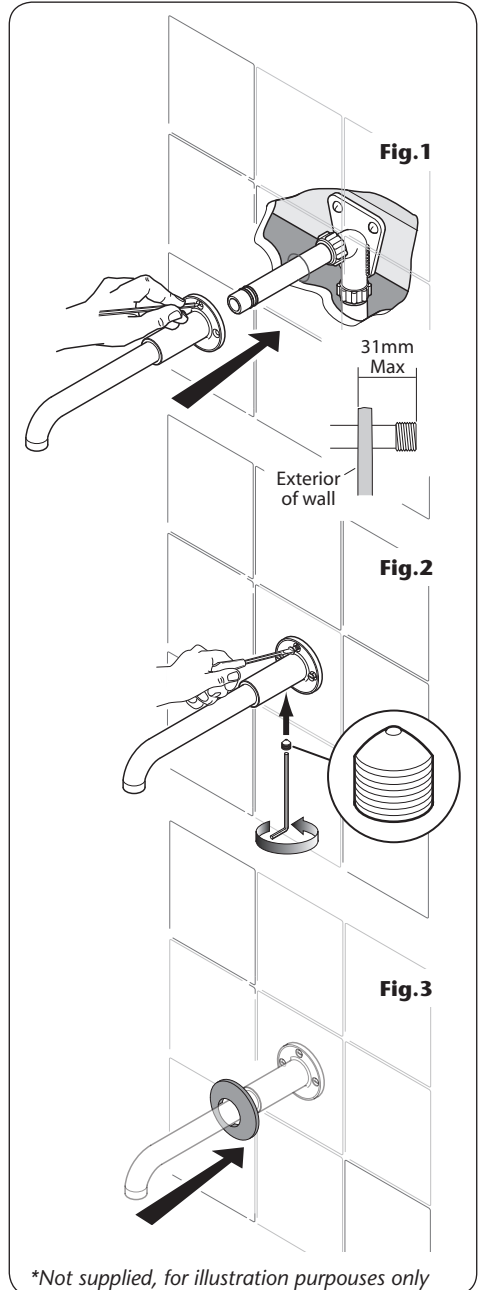
Remove the shower arm and drill the fixing holes.

WARNING!

Check there are no hidden cables or pipes before drilling holes for wall plugs. Use great care when using power tools near water. The use of a residual current device (RCD) is recommended.

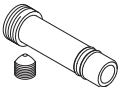
Using appropriate wall plugs and screws refit the shower arm onto the adapter and secure to the wall. Rotate the shower arm until the outlet is positioned correctly and tighten the grub screw using a suitably sized Allen key, (*taking care not to over tighten and damage either the main body or shower arm pipework*) (**fig.2**).

Slide trim plate over the shower arm and carefully press against the wall (**fig.3**).



SPARES LIST

1. Adapter (long): 83308520



2. Adapter (short):
83312090



3. Chrome trim plate:
83308530

4. Screw pack: 83309270

**Not supplied, for illustration purposes only*

Please refer to shower installation and operating instructions for service details. E&OA.

qssupplies.co.uk