

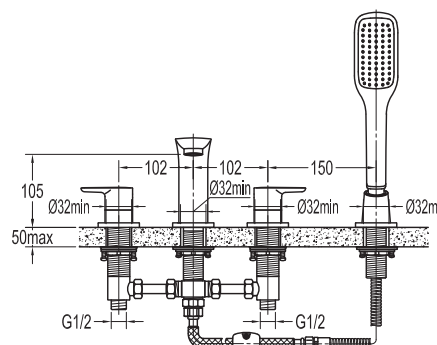
I Installation Notice

1. Install water supply lines in accordance with this manual.
2. The waste should be installed in the location of the tap.
3. Install the tap only after the completion of interior house decoration in case paint or other chemicals erode the surface.
4. Clean pipes to get rid of mud, sand or other debris blocked in them.
5. Check whether the threads can be matched. Otherwise, too much force applied to the wrench will damage the tap.
6. After installation, check all the joints to make sure they are firmly connected. Turn on and off repeatedly to ensure there is no leakage around the joints.
7. Pass the manual to the user.

II Operation Notice

1. The product is used between water pressure 1-4bar, water temperature 4~90°C.
2. Do not hang heavy things on the tap.
3. Always clean the surface of the tap to keep it bright.
Attention: Please do not use inappropriate tools such as sharp brushes, rough sponges, scouring pads or corrosive detergent to clean the tap, and we do not recommend that you use any household detergent, because its formula may damage the chrome. Please clean the tap by wet cloth and soapy water after each time of usage. Then rinse the soap out with clean water and dry with a soft cotton cloth.
4. When the room temperature drops to below 0°C, take necessary measures (such measures as keeping the tap warm and closing windows) to prevent the mixer from being frozen or even broken.
5. Please open the cold water and hot water in turn and adjust the temperature before washing or showering.
6. Do not disassemble the product unless you are an expert.

III Installation Diagram:



IV Installing Steps (As shown in figure 1~11):

