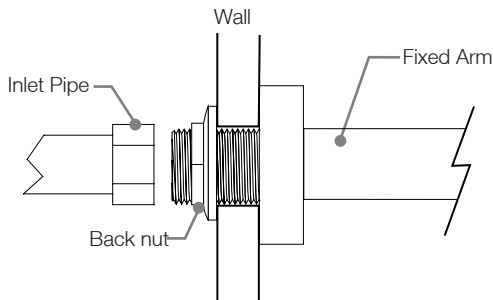


### BEFORE YOU START

Wear suitable eye protection when drilling. Take care when using power tools near water - the use of a residual current device (RCD) is advised. Beware of hidden cables or pipes. When drilling tiled surfaces, a piece of masking tape applied to the wall before marking out the fixing holes will stop the drill wandering. Wall plugs provided are suitable for Stone or Brick walls only. For other wall types use appropriate wall plugs. If in doubt consult an expert.

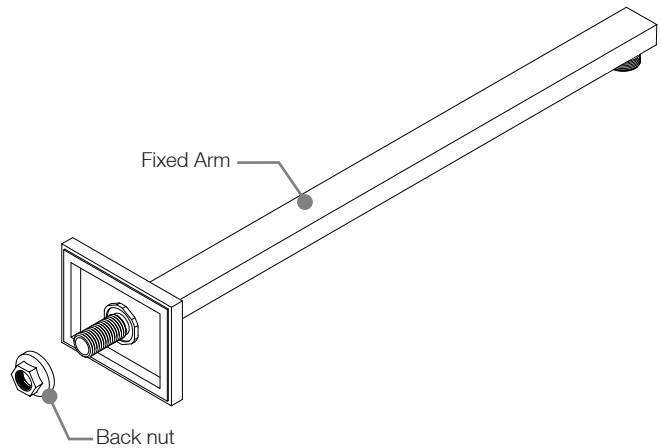
We recommend these products are installed by a qualified plumber. Identify all components shown in the diagrams below and ensure they are all present. In the unlikely even you find there are parts missing please contact Tavistock using the contact details at the foot of the page.

### FIXED ARM

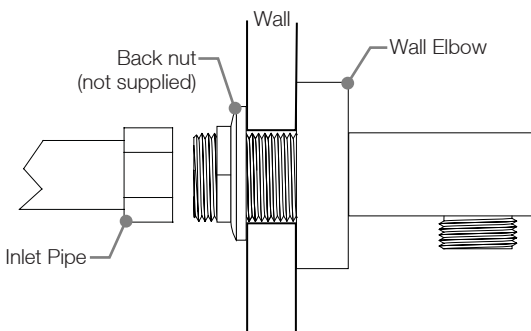


1. Secure arm in place using the back nut provided (See diagram above)
2. Connect inlet pipe work to fixed arm using G1/2" BSP fitting. Use thread sealing tape where necessary.

**IMPORTANT:** Test arm for leaks prior to finishing installation.



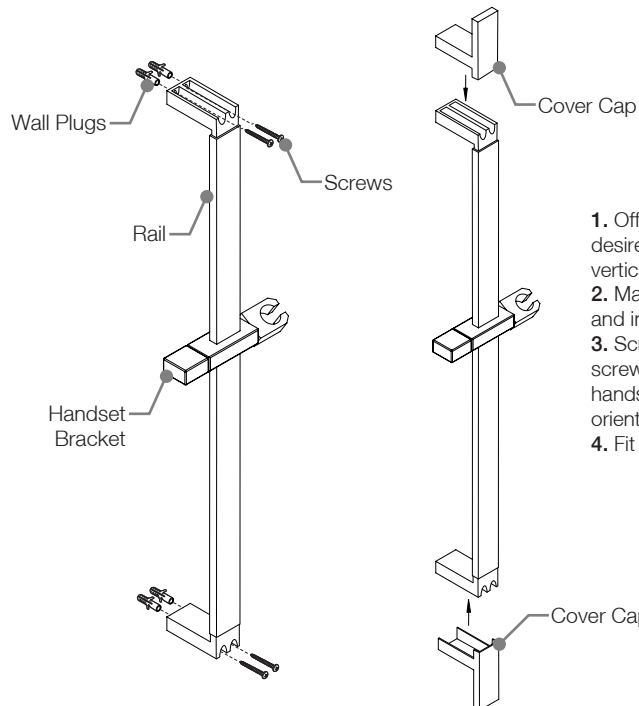
### WALL ELBOW



1. Secure wall elbow in place using the back nut provided (See diagram)
2. Connect inlet pipe work to wall elbow using G1/2" BSP fitting. Use thread sealing tape where necessary.

**IMPORTANT:** Test wall elbow for leaks prior to finishing installation.

### RAIL



1. Offer rail up to the wall in desired location. Ensure it is vertical using a spirit level.
2. Mark screw locations. Drill and install wall plugs.
3. Screw rail in place with screws provided. (Ensure handset bracket is in correct orientation.)
4. Fit cover caps.

### ACCESSORIES

Fit handset, hose and fixing heads. Ensure all connections are secure and check for leaks. Use thread sealing tape where necessary.

### MAINTENANCE AND AFTERCARE

Whilst this item has a high quality durable finish, it should nevertheless be treated with care. Surfaces should be cleaned using only a soft damp cloth and clean water then dried using a soft cotton cloth. Bath cleaning products, even non-scratch ones, could damage the finished surface.

For installation problems or advice, please contact customer services. See details below.