



Bath Pop-up Waste Product Code: BP105



Installation & User Guide

Please retain this booklet for future aftercare reference



INSTALLATION

1. Identify all your core components and check the waste is complete.
2. Fit the waste body (19) and waste grid (21) to the bath securing using the sealing washer (20) and silicone sealant where necessary ensure.
3. Fit the overflow body (5) to the bath using seating washer (4) and cover plate (3) , secure with overflow fixing bolt (2), using silicone sealant where necessary.
4. Check all joints and connections for leaks.
5. To set the height of the plug use the adjusting screw (23)
5. See over the page for aftercare instructions.

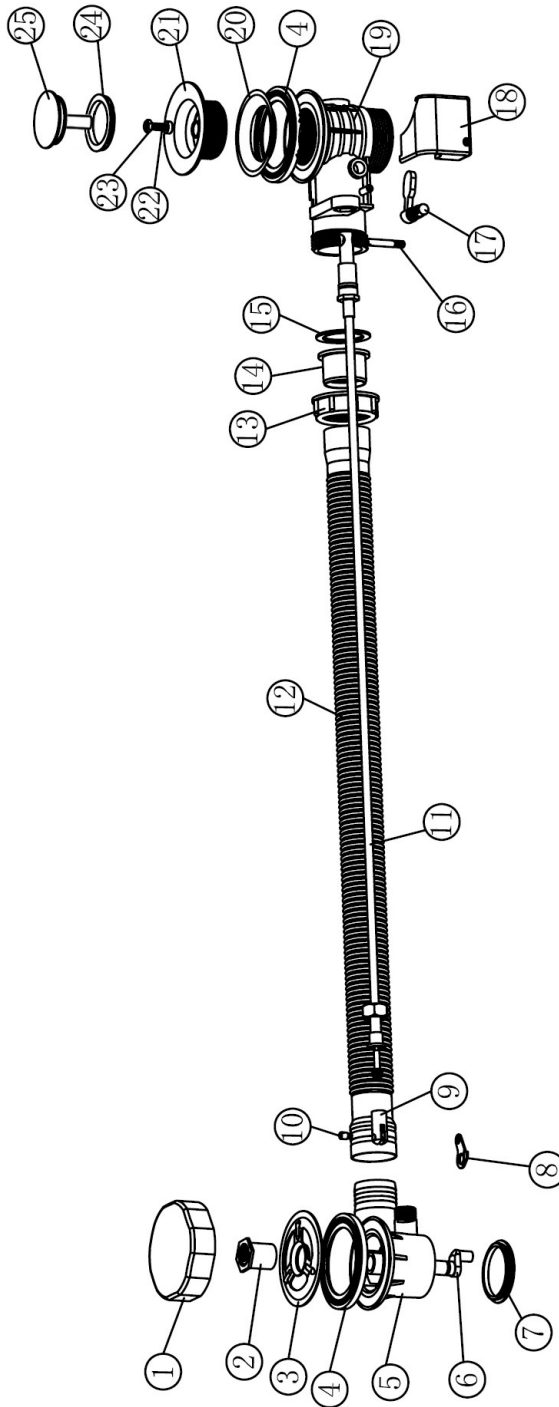
NB - Do not over tighten the brass fixing screws, this may break the plastic waste body

COMPONENTS

1	WS106	BP105 CONTROL HANDLE
2	WS131	OVERFLOW FIXING BOLT FOR BP105
3	WS132	OVERFLOW GRID FOR BP105
4	WS119	SEATING WASHER FOR BP105
5	WS148	PLASTIC OVERFLOW BODY FOR BP105
6	WS149	SECURING NUT FOR CONTROL PIN ON BP105
7	WS118	PLASTIC BOTTOM COVER FOR BP105
8	WS150	CONTROL CABLE LINKAGE FOR BP105
9	WS151	BRASS LINKAGE FOR BP105
10	WS152	BRASS LINKAGE FOR BP106
11	WS153	BP105 CONTROL CABLE
12	WS113	FLEXIBLE WASTE PIPE FOR BP105
13	WS154	WASTE PIPE FIXING NUT FOR BP105
14	WS155	WASTE PIPE COUPLING FOR BP105
15	WS156	WASHER FOR WASTE PIPE FIXING NUT
16	WS157	BRASS LINKAGE 16
17	WS158	BRASS LINKAGE 17
18	WS159	LINKAGE COVER FOR BP105
19	WS160	PLASTIC WASTE BODY FOR BP105
20	WS111	WASTE GRID SEALING WASHER
21	WS107	WASTE GRID
22	WS103	PLUG SETTING NUT
23	WS103a	PLUG ADJUSTING SCREW FOR BP105
25	WS164	SEALING WASHER FOR BP105
26	WS163	PLUG FOR BP105

To order spare part please call our technical helpline on 01892611240 selecting option 2

EXPLODED COMPONENT VIEW



AFTERCARE INSTRUCTIONS

This waste fitting has a high quality finish and therefore should be treated with care to preserve the chrome plated surfaces.

All surface finishes will wear if not cleaned correctly, the only safe way to clean your waste is to wipe with a soft damp cloth. Stains can be removed using a neutral washing up liquid. All bath cleaning powders and liquids will damage the surface of your fitting even the non-scratch cleaners.

GUARANTEE

All products are manufactured to the highest standards and a 10-year guarantee covers any defect in manufacture. Should you experience any problems with your waste, contact our technical help line quoting the product or component code. All working parts such as seals which are subject to normal wear and tear, are covered for 12 months from proof of purchase date.

Pura Bathrooms Limited
15 Millbrook Industrial Estate
Crowborough
East Sussex
TN6 3DU

Office Tel: 01892611240
Office Fax: 01892613000
Email: sales@purabathrooms.com
technical@purabathrooms.com

Website: www.purabathrooms.com