



Luxury basin waste with chrome metal plug

Product Code: BW100



Installation & User Guide

Please retain this booklet for future aftercare reference



INSTALLATION

1. Identify all your core components and check the waste is complete.
2. Fit the slotted waste body (4) through the waste hole in the basin, using the optional black rubber sealing washer (5), alternatively silicone sealant may be used instead. Secure the waste using the basin waste back nut (7), using the waste sealing washer (6) underneath the bath.

NB - do not over tighten the basin waste back nut (7)

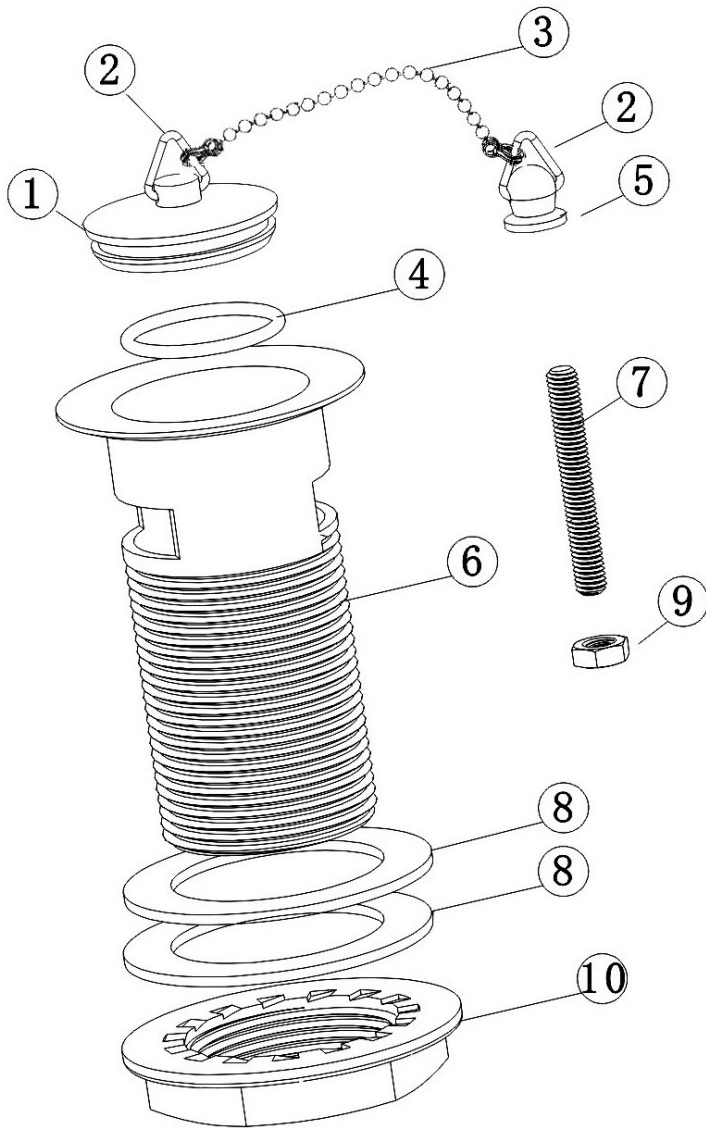
- 4 .Check all seals and connections for leaks.
5. See over the page for aftercare instructions.

COMPONENTS

1. BW122 CHROME PLUG
2. BW123 PLUG RETAINING RING
3. BW124 PLUG CHAIN
4. BW125 PLUG SEALING O'RING
5. BW126 PLUG CHAIN RETAINING NUT
6. BW127 BW100 BODY
7. BW128 OVERFLOW RETAINING BOLT
8. BW129 WASTE SEALING WSHER
9. BW130 OVERFLOW RETAINING NUT
10. BW131 BASIN WASTE BACK NUT

To order spare part please call our technical helpline on 01892611240 selecting option 2

EXPLODED COMPONENT VIEW



AFTERCARE INSTRUCTIONS

This waste fitting has a high quality finish and therefore should be treated with care to preserve the chrome plated surfaces. All surface finishes will wear if not cleaned correctly, the only safe way to clean your waste is to wipe with a soft damp cloth. Stains can be removed using a neutral washing up liquid. All bath cleaning powders and liquids will damage the surface of your fitting even the non-scratch cleaners.

GUARANTEE

All products are manufactured to the highest standards and a 10-year guarantee covers any defect in manufacture. If you should experience any problems with your waste, contact our technical help line quoting the product or component code. All working parts such as seals which are subject to normal wear and tear, are covered for 12 months from proof of purchase date.

Pura Bathrooms Limited
15 Millbrook Industrial Estate
Crowborough
East Sussex
TN6 3DU

Office Tel: 01892611240
Office Fax: 01892613000

Email: sales@purabathrooms.com
technical@purabathrooms.com

Website: www.purabathrooms.com