



**Traditional 1 1/4" chrome bottle trap  
and pipe  
Product Code: TB200**



Installation & User Guide

Please retain this booklet for future aftercare reference



# INSTALLATION

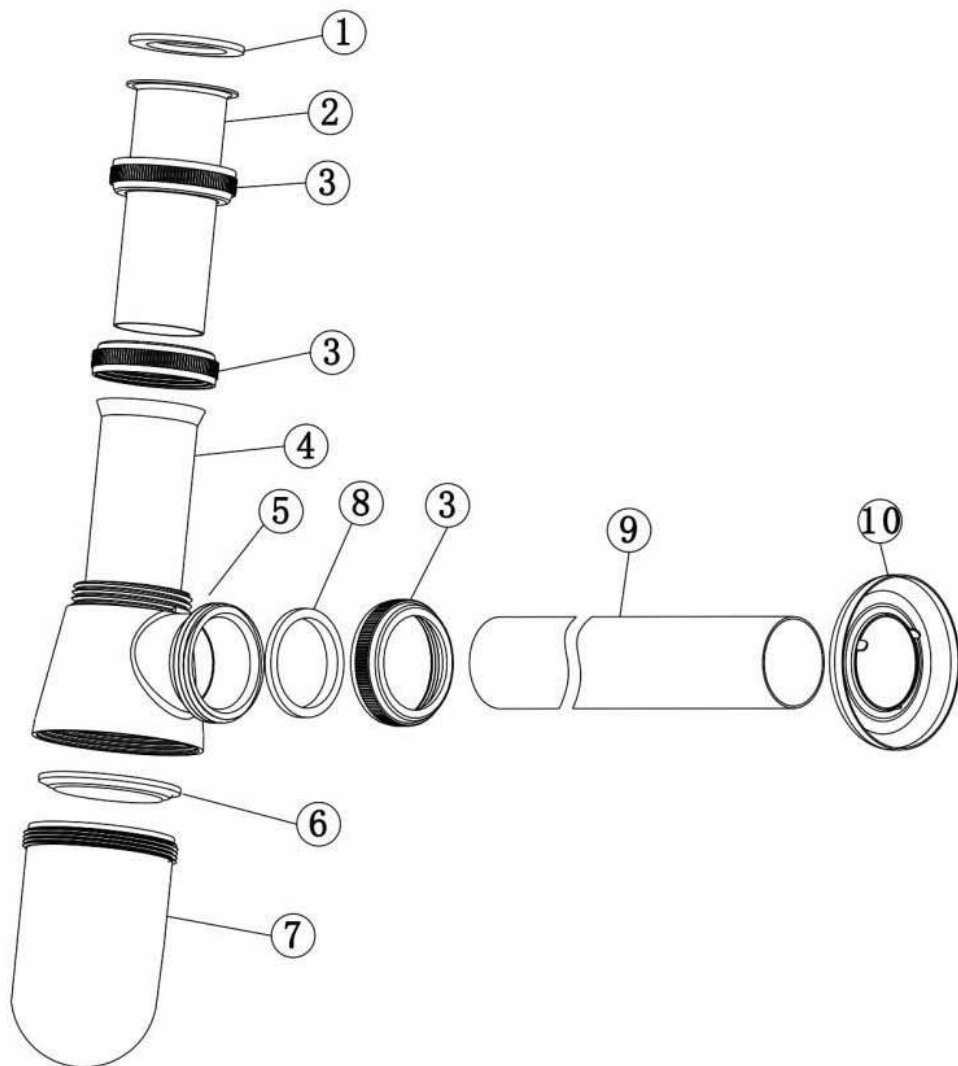
1. Identify all your core components and check the waste is complete.
2. Attach the bottle trap to your basin waste thread using the threaded nut (3) ensuring the 11/4" rubber washer (1) is used. Attach the chrome waste pipe (9) into the main body (5) securing in place using the waste pipe lock nut (3) ensuring the waste pipe sealing washer (8) is installed as shown overleaf. Cut down the chrome waste pipe to the required length and connect to a suitable 11/4" waste fitting. Cover the connection using the waste pipe cover plate (10).
4. Check all seals and connections for leaks.
5. See over the page for aftercare instructions.

## COMPONENTS

1. TB101 1 1/4" RUBBER WASHER
2. TB102 WASTE CONNECTION TUBE
3. TB103 CHROME FIXING NUT
4. TB104 PLASTIC INNER TUBE
5. TB105 TB200 BODY
6. TB106 BOTTOM SEALING WASHER
7. TB107 TRAP
8. TB108 WASTE PIPE SEALING WASHER
9. TB109 CHROME WASTE PIPE
10. TB110 WASTE PIPE COVER SHROUD

To order spare part please call our technical helpline on 01892611240 selecting option 2

# EXPLODED COMPONENT VIEW



## **AFTERCARE INSTRUCTIONS**

This waste fitting has a high quality finish and therefore should be treated with care to preserve the chrome plated surfaces. All surface finishes will wear if not cleaned correctly, the only safe way to clean your waste is to wipe with a soft damp cloth. Stains can be removed using a neutral washing up liquid. All bath cleaning powders and liquids will damage the surface of your fitting even the non-scratch cleaners.

## **GUARANTEE**

All products are manufactured to the highest standards and a 10-year guarantee covers any defect in manufacture. If you should experience any problems with your waste, contact our technical help line quoting the product or component code. All working parts such as seals which are subject to normal wear and tear, are covered for 12 months from proof of purchase date.

Pura Bathrooms Limited  
15 Millbrook Industrial Estate  
Crowborough  
East Sussex  
TN6 3DU

Office Tel: 01892611240  
Office Fax: 01892613000

Email: [sales@purabathrooms.com](mailto:sales@purabathrooms.com)  
[technical@purabathrooms.com](mailto:technical@purabathrooms.com)

Website: [www.purabathrooms.com](http://www.purabathrooms.com)

[www.qssupplies.co.uk](http://www.qssupplies.co.uk)