



**Minimalist 1 1/4" chrome bottle trap
and pipe
Product Code: MB200**



Installation & User Guide

Please retain this booklet for future aftercare reference



INSTALLATION

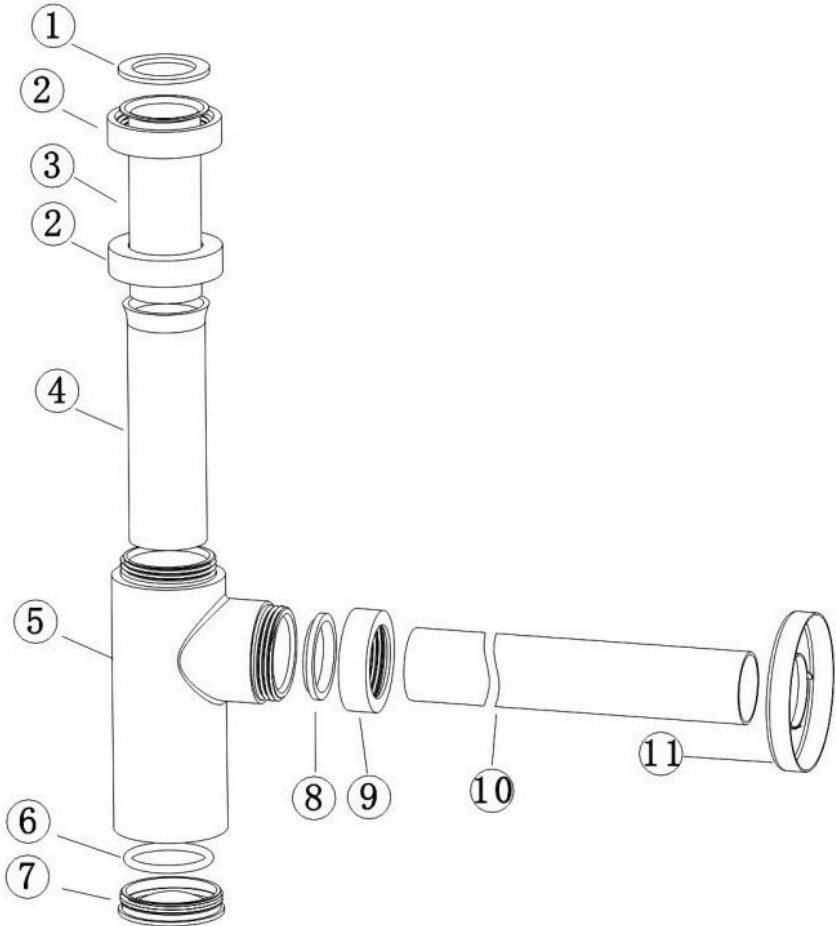
1. Identify all your core components and check the waste is complete.
2. Attach the bottle trap to your basin waste thread using the threaded nut (2) ensuring the 11/4" rubber washer (1) is used. Attach the chrome waste pipe (10) into the main body (5) securing in place using the waste pipe lock nut (9) ensuring the waste pipe sealing washer is installed as shown overleaf. Cut down the chrome waste pipe to the required length and connect to a suitable 11/4" waste fitting.
4. Check all seals and connections for leaks.
5. See over the page for aftercare instructions.

COMPONENTS

1. MB101 11/4" RUBBER WASHER
2. MB102 CHROME SHROUDS
3. MB103 WASTE CONNECTION TUBE
4. MB104 PLASTIC INNER TUBE
5. MB105 MB200 BODY
6. MB106 BOTTOM O' RING
7. MB107 BOTTOM SEALING CAP
8. MB108 WASTE PIPE SEALING WASHER
9. MB109 WASTE PIPE LOCK NUT
10. MB110 CHROME WASTE PIPE
11. MB111 WASTE PIPE COVER PLATE

To order spare part please call our technical helpline on 01892611240 selecting option 2

EXPLODED COMPONENT VIEW



AFTERCARE INSTRUCTIONS

This waste fitting has a high quality finish and therefore should be treated with care to preserve the chrome plated surfaces. All surface finishes will wear if not cleaned correctly, the only safe way to clean your waste is to wipe with a soft damp cloth. Stains can be removed using a neutral washing up liquid. All bath cleaning powders and liquids will damage the surface of your fitting even the non-scratch cleaners.

GUARANTEE

All products are manufactured to the highest standards and a 10-year guarantee covers any defect in manufacture. If you should experience any problems with your waste, contact our technical help line quoting the product or component code. All working parts such as seals which are subject to normal wear and tear, are covered for 12 months from proof of purchase date.

Pura Bathrooms Limited
15 Millbrook Industrial Estate
Crowborough
East Sussex
TN6 3DU

Office Tel: 01892611240
Office Fax: 01892613000

Email: sales@purabathrooms.com
technical@purabathrooms.com

Website: www.purabathrooms.com

www.qssupplies.co.uk