

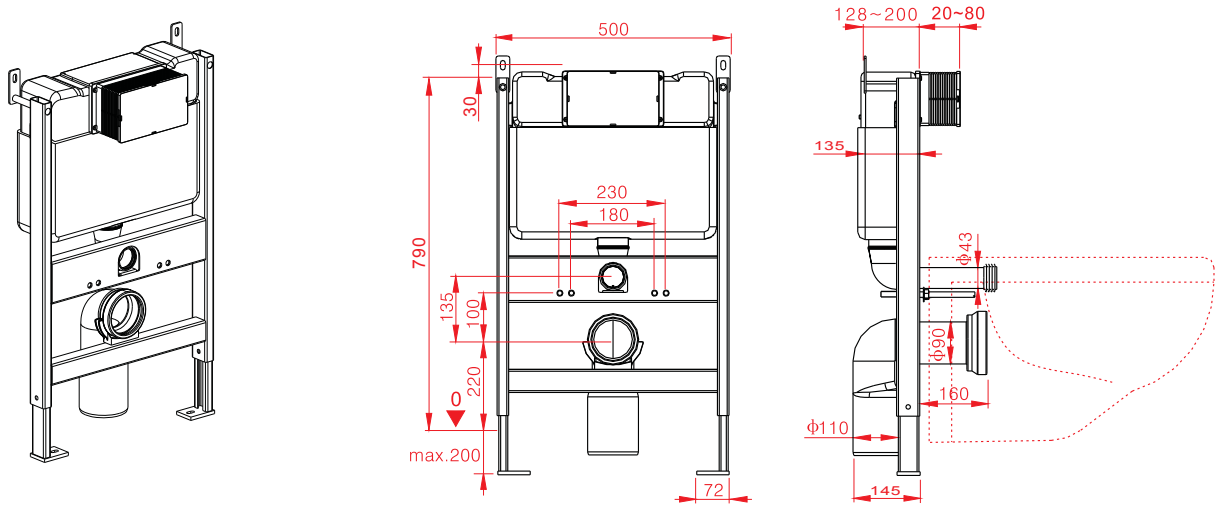
CF02FRONT

Reduced height wall hung WC bowl frame system with front mounted chrome dual flush plate

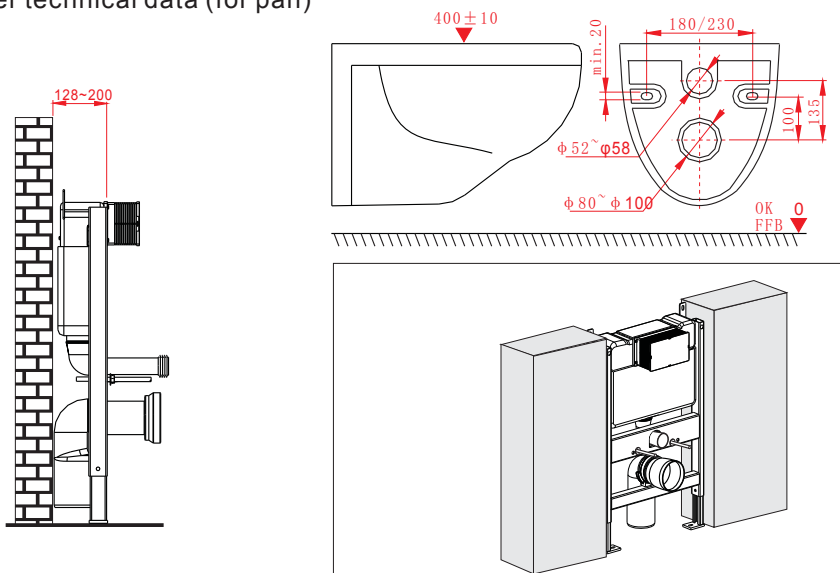
(For installation with a wall hung pan)



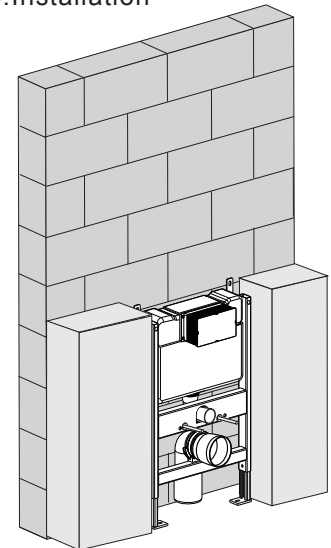
1. Technical



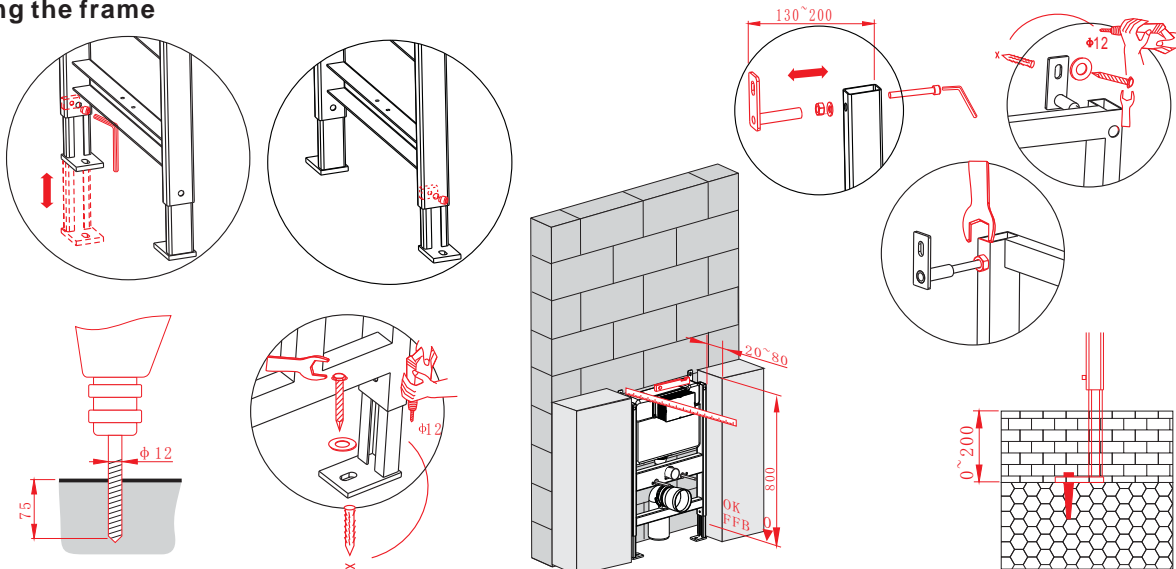
2. Further technical data (for pan)



3. Installation



4. Fixing the frame



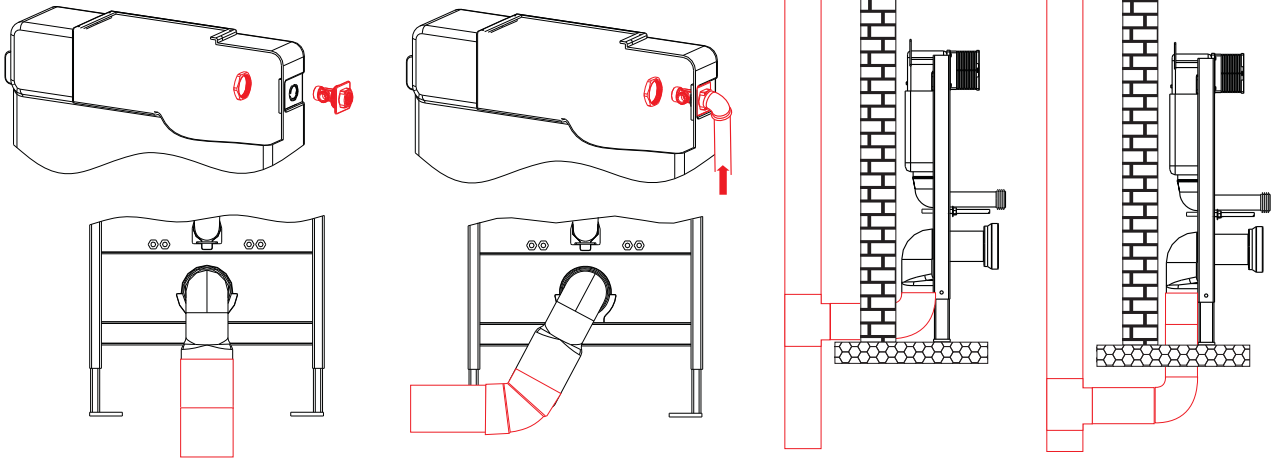
CF02FRONT

Reduced height wall hung WC bowl frame system with front mounted chrome dual flush plate

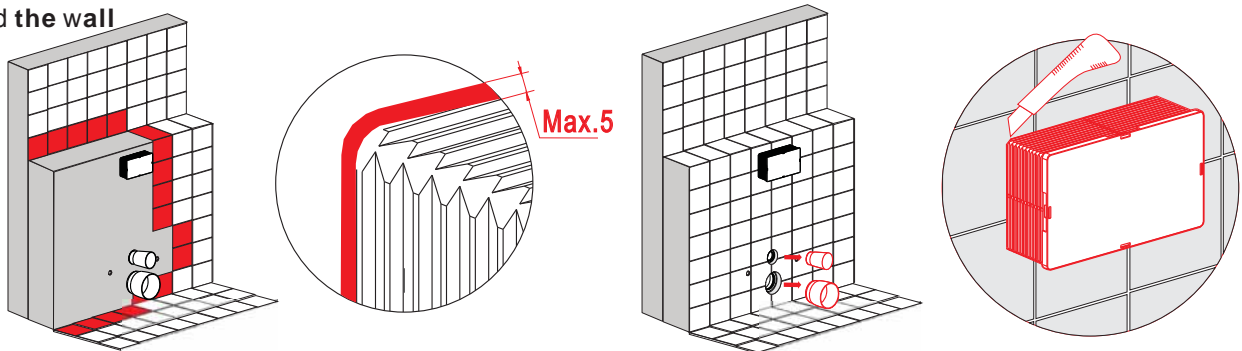
(For installation with a wall hung pan)



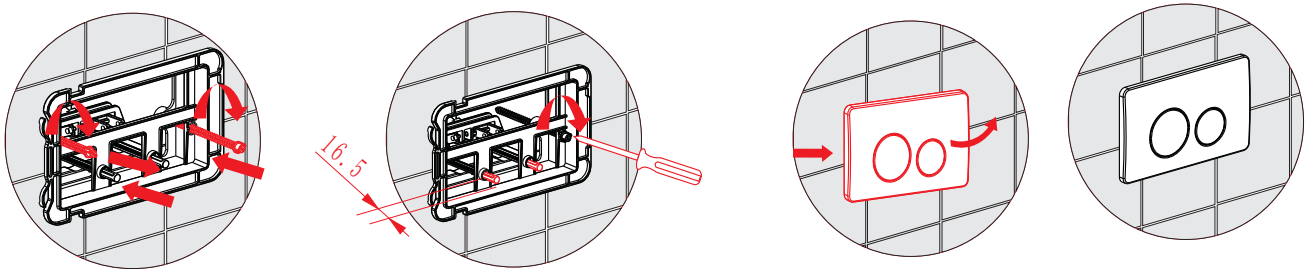
5. Fixing the fill pipe and flush pipe



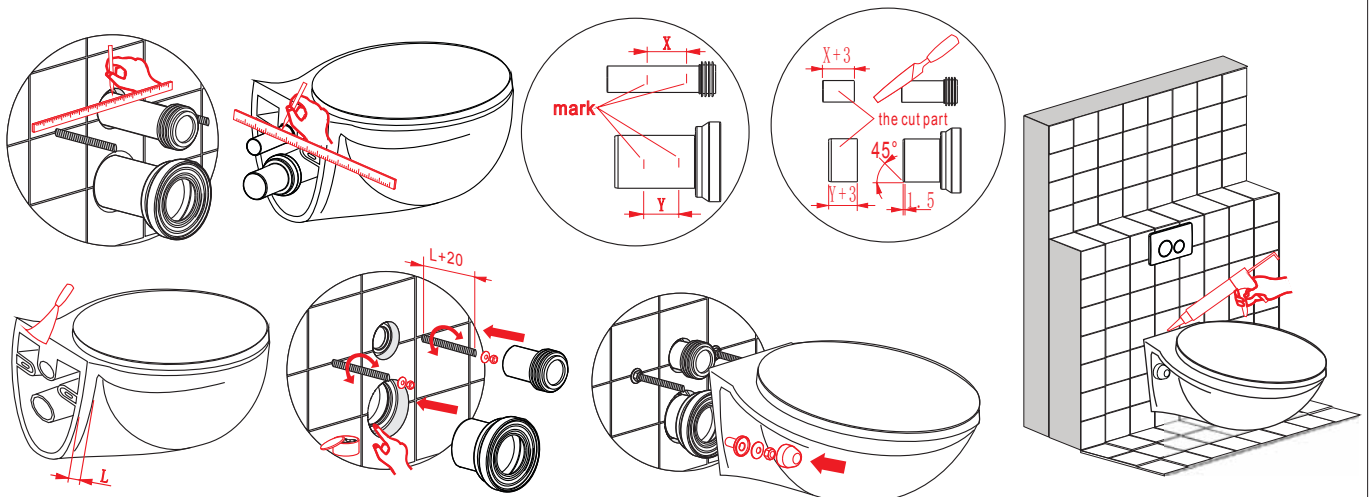
6. Build the wall



7. Install the panel



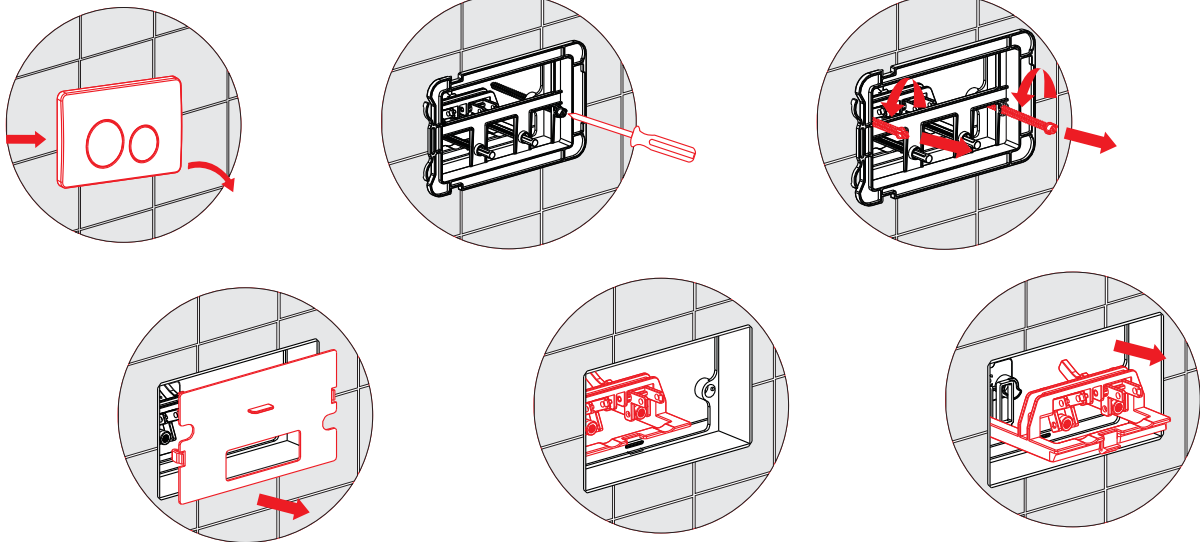
8. Install the wall hung pan



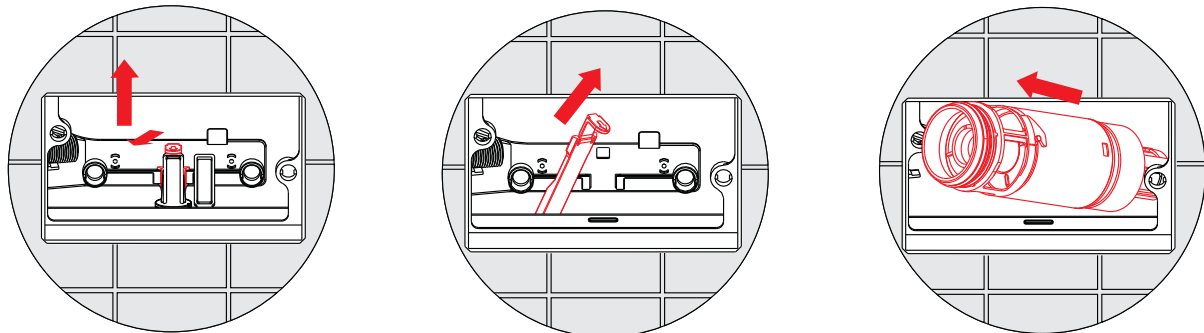
Reduced height wall hung WC bowl frame system with front mounted chrome dual flush plate

(For installation with a wall hung pan)

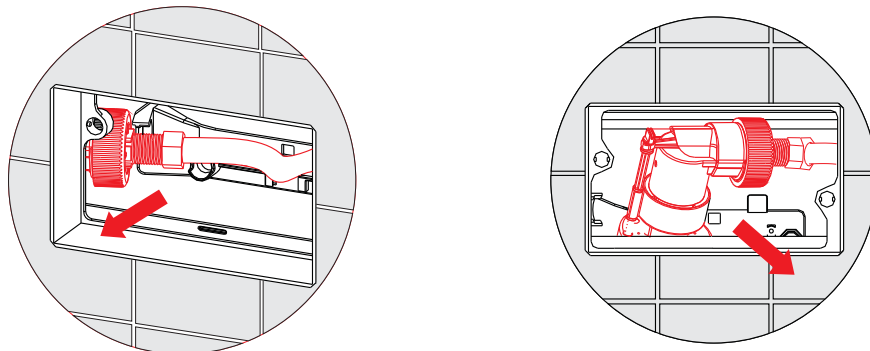
1. Open the panel



2. Take out the flush valve



3. Take out the fill valve



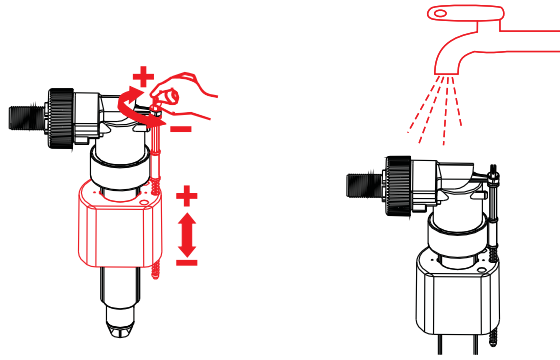
Technologic data:

- . 1/2" standard fill water hole.
- . Recommended working pressure is 0.2bar - 4.0bar
- . The water temperature range is 20~45°.
- . 3L/6L dual flush water volume, the flush water time is 3s~5s.
- . The steel frame is corrosion resistant and can bear 400kgs of weight.
- . The product can be installed in a wall of 90mm thickness.

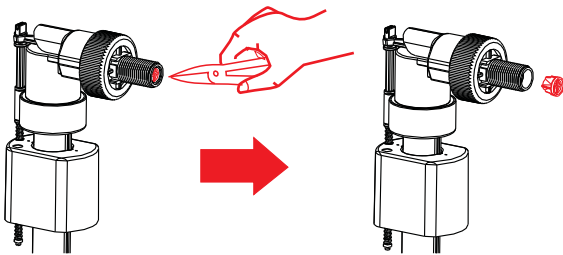
1 Maintenance for the fill valve

Trouble-shooting

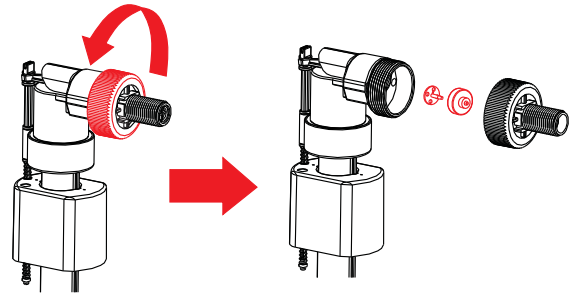
malfunction	solve way
1.The water level too high or too low	Adjust water level
2.Can not stop water	Wash sealed rubber and mandril
3.Water fill speed slow	Wash filter;Adjust water stress to higher
4.Others questions	Please consult with a professional technician



①Turn the knob, adjust water level height. ②Flush out the dirt



③Take off the filter tip and clean.

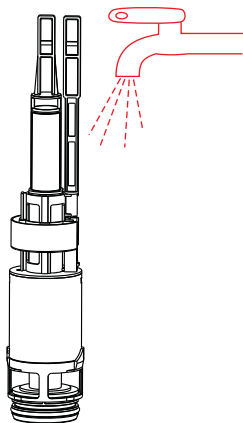
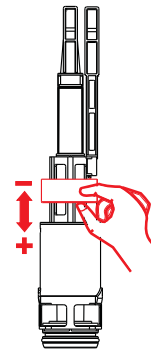


④Remove the screws widdershins and clean or place the valve core and the silica gel of fill valve.

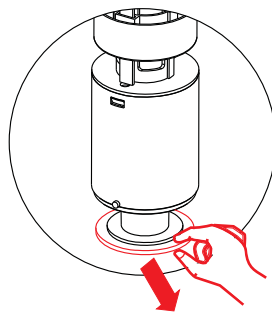
2 Maintenance for the flush valve

Trouble-shooting

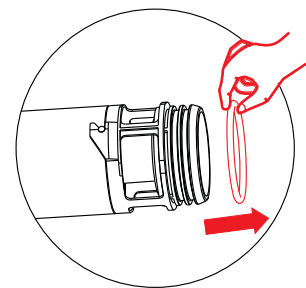
malfunction	reason	solve way
1.Can not flush water	Flush rod is damaged or broken	Replace the flush rod
	The working water level too low	Adjust the working water level
2.Apear leak	The rubber seal can not seal water	Replace the rubber seal
	The movement of the flush valve is blocked	Wash out the dirt of flush valve



②Wash the dirt out of the flush valve by flowing with clean water.



③Take the silica gel out of the flush valve and then clean or replace it.



④Take the rubber seal out of the flush valve and then clean or replace it.