

Specification

METHVEN

Methven UK Ltd, Brooklands Mill, English Street, Leigh, Lancashire, WN73EH

Ref No N/A

Date 10/2/12

Sample No 1

INCLUDE LOGO AND
ADDITION OF BRASS
BACKNUT

DTC No. DTC32

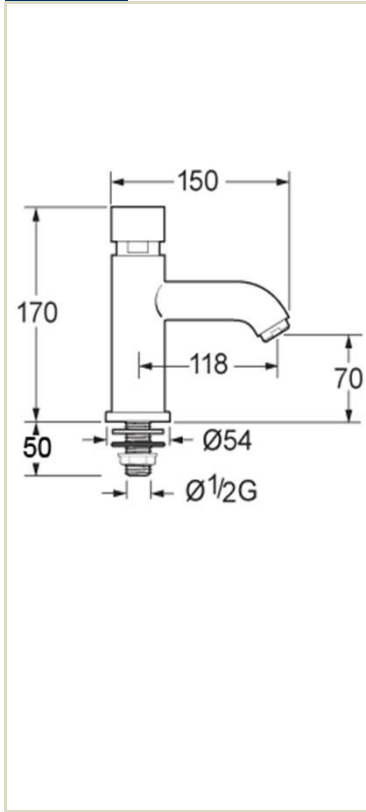
Issue 2

Code VSN123

Image



Drawing



Packaging

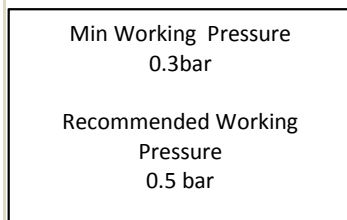
Box Size	255 x 175 x 55mm
Carton Size	540 x 280 x 300mm
Cartons Per Pallet	18
Cartons Quantity	15
Units Per Pallet	270
Plastic Weight	0.005
Card Weight	0.121
Paper Weight	0.004
Product Weight	1.243
Total Weight kg	1.373
Fitting Instruction	DTC INST1 - 20.7.11

Box Label

Box and Pressure label - 75 x 40mm



Label 1, central on end



Label 2, central on end



Label 3 (date label)
Top corner, top face
10/10/10 format

Carton Label

Carton label size - 200 x 150mm

Methven UK Brooklands Mill English Street Leigh Lancashire WN7 3EH England Product Code:	METHVEN	
	Invoice No.	Carton No.
	Order No.	
	GW	NW
Description:	Box Qty:	Units

Box Label Details

Barcode	5011632063931
Description	VISION SELF CLOSING PILLAR TAP
Code, description, finish - National Book Regular - 9 pt font	
Address - National Book Regular - 5.7 pt font	
Deva logo size - 20.739 x 6.693mm	
Barcode size - 37.72 x 26.26mm	

Specification

Methven UK Ltd, Brooklands Mill, English Street, Leigh, Lancashire, WN73EH

Ref No N/A

Date 10/2/12

Sample No 1

DTC No. DTC32

Issue 2

Code VSN123

INCLUDE LOGO AND
ADDITION OF BRASS
BACKNUT

Parts Drawing



Additional Data

Flow (Bar - l/use)

Spout/outlet

0.1	N/A	0.2	N/A	0.3	0.4	0.5	0.6	1	1	2	1.5
-----	-----	-----	-----	-----	-----	-----	-----	---	---	---	-----

Handset/shower head

0.1	N/A	0.2	N/A	0.3	N/A	0.5	N/A	1	N/A	2	N/A
-----	-----	-----	-----	-----	-----	-----	-----	---	-----	---	-----

Approvals NONE

Valve type NON-CONCUSSIVE

Special Features

AUTOMATIC SHUT OFF

BRASS BACK NUT

NOT INTERCHANGEABLE WITH CURRENT MODEL

Specification

Methven UK Ltd, Brooklands Mill, English Street, Leigh, Lancashire, WN73EH

Ref No N/A

Date 10/2/12

Sample No 1

DTC No. DTC32

Issue 2

Code VSN123

INCLUDE LOGO AND
ADDITION OF BRASS
BACKNUT

DTC32
ETCHED
ON REAR

