

Specification

Methven UK Ltd, Brooklands Mill, English Street, Leigh, Lancashire, WN73EH

Ref No N/A

Date 10/2/12

Sample No N/A

DTC No. P_1

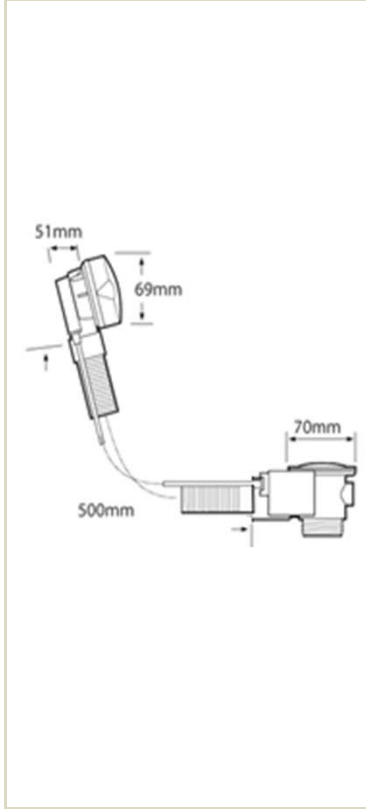
Issue 1

Code PUW200

Image



Drawing



Packaging

Box Size	330 x 130 x 80mm
Carton Size	550 x 340 x 250mm
Cartons Per Pallet	24
Cartons Quantity	12
Units Per Pallet	288
Plastic Weight	0
Card Weight	0.151
Paper Weight	0.002
Product Weight	0.488
Total Weight kg	0.641
Fitting Instruction	170702

Box Label

Box and Pressure label - 75 x 40mm



Label 1, central on end

N/A

Label 2, central on end



Label 3 (date label)
Top corner, top face
10/10/10 format

Carton Label

Carton label size - 200 x 150mm

Methven UK Brooklands Mill English Street Leigh Lancashire WN7 3EH England Product Code:	METHVEN	
	Invoice No.	Carton No.
	Order No.	
	GW	NW
Description:	Box Qty:	Units

Box Label Details

Barcode	5011632061685
Description	1 1/2" BATH POP UP WASTE
Code, description, finish - National Book Regular - 9 pt font	
Address - National Book Regular - 5.7 pt font	
Deva logo size - 20.739 x 6.693mm	
Barcode size - 37.72 x 26.26mm	

Specification

Methven UK Ltd, Brooklands Mill, English Street, Leigh, Lancashire, WN73EH

Ref No N/A

Date 10/2/12

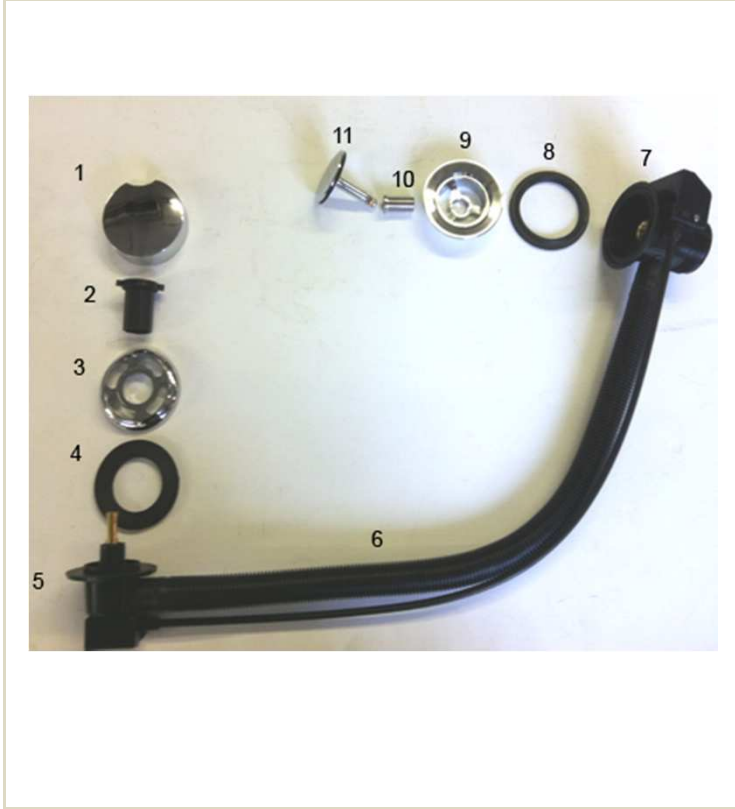
Sample No N/A

DTC No. P_1

Issue 1

Code PUW200

Box Contents



Box Contents

		Qty
1	METAL WASTE DIAL	1
2	OVERFLOW RETAINING SCREW	1
3	OVERFLOW FACE	1
4	OVERFLOW BATH SEAL	1
5	DIAL MECHANISM	1
6	OVERFLOW TUBE	1
7	POP UP MECHANISM	1
8	WASTE FLANGE SEAL	1
9	METAL WASTE FLANGE	1
10	FLANGE CENTRE SCREW	1
11	PLUG C/W O RING & ADJUSTER SCREW	1

Internal Packing

Specification

Methven UK Ltd, Brooklands Mill, English Street, Leigh, Lancashire, WN73EH

Ref No N/A

Date 10/2/12

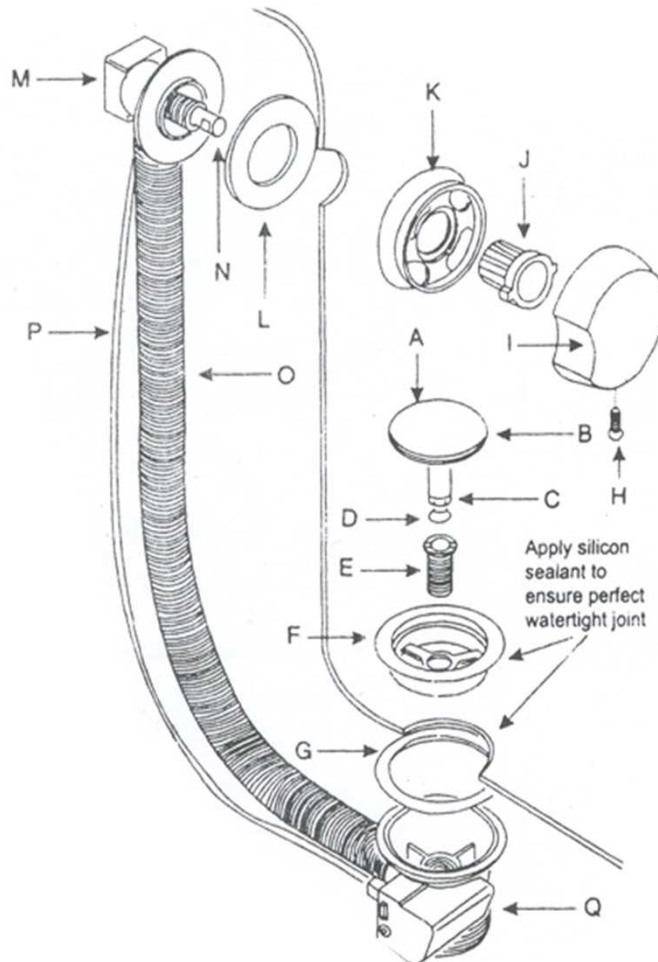
Sample No N/A

DTC No. P_1

Issue 1

Code PUW200

Parts Drawing



Additional Data

Flow (Bar - l/min)

Spout/outlet

0.1	N/A	0.2	N/A	0.3	N/A	0.5	N/A	1	N/A	2	N/A
-----	-----	-----	-----	-----	-----	-----	-----	---	-----	---	-----

Handset/shower head

0.1	N/A	0.2	N/A	0.3	N/A	0.5	N/A	1	N/A	2	N/A
-----	-----	-----	-----	-----	-----	-----	-----	---	-----	---	-----

Approvals NONE

Valve type N/A

Special Features

DRY HAND DRAINAGE