

Specification

Methven UK Ltd, Brooklands Mill, English Street, Leigh, Lancashire, WN73EH

Ref No N/A

Date 27/9/11

Sample No N/A

DTC No. DTC44

Issue 2

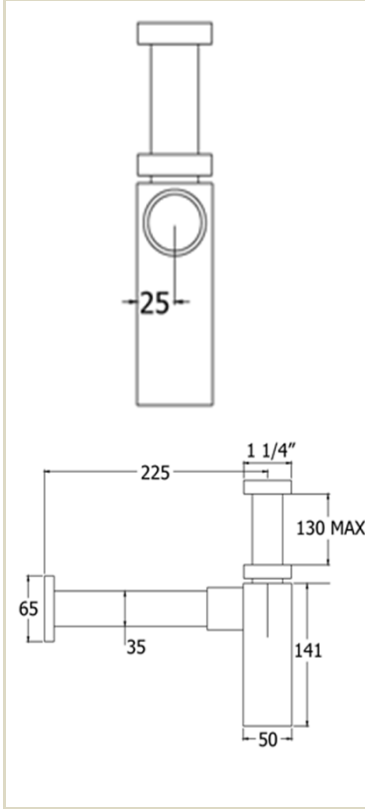
Code VSN625

Change to extension tube length from 200mm to 300mm

Image



Drawing



Packaging

Box Size 310 x 380 x 290mm

Carton Size 330 x 380 x 290mm

Cartons Per Pallet 18

Cartons Quantity 10

Units Per Pallet 180

Plastic Weight 0.005

Card Weight 0.152

Paper Weight 0.004

Product Weight 0.754

Total Weight kg 0.915

Fitting Instruction DTC INST49 - 27.9.11

Box Label

Box and Pressure label - 75 x 40mm



Label 1, central on end

N/A

Label 2, central on end



Label 3 (date label)
Top corner, top face
10/10/10 format

Carton Label

Carton label size - 200 x 150mm

| | | |
|--|----------------|------------|
| Methven UK Brooklands Mill English Street Leigh Lancashire WN7 3EH England Product Code: | METHVEN | |
| | Invoice No. | Carton No. |
| | Order No. | |
| | GW | NW |
| Description: | Box Qty: | Units |

Box Label Details

Barcode 5011632646356
 Description 1 1/4" MINIMALIST BOTTLE TRAP
 Code, description, finish - National Book Regular - 9 pt font
 Address - National Book Regular - 5.7 pt font
 Deva logo size - 20.739 x 6.693mm
 Barcode size - 37.72 x 26.26mm

Specification

Methven UK Ltd, Brooklands Mill, English Street, Leigh, Lancashire, WN73EH

Ref No N/A

Date 27/9/11

Sample No N/A

DTC No. DTC44

Issue 2

Code VSN625

Change to extension tube length from 200mm to 300mm

Box Contents



Box Contents

| | | Qty |
|----|------------------------------|-----|
| 1 | 300mm EXTENSION TUBE | 1 |
| 2 | CONICAL WASHER | 1 |
| 3 | WALL TRIM WASHER | 1 |
| 4 | WALL TRIM | 1 |
| 5 | TUBE FLAT SEAL | 1 |
| 6 | WASTE NUT | 1 |
| 7 | WASTE NUT | 1 |
| 8 | METAL HEIGHT ADJUSTMENT TUBE | 1 |
| 9 | PLASTIC HEIGHT ADJUST TUBE | 1 |
| 10 | WASTE | 1 |
| 11 | TUBE NUT | 1 |
| 12 | | |
| 13 | | |
| 14 | | |
| 15 | | |
| 16 | | |
| 17 | | |
| 18 | | |
| 19 | | |
| 20 | | |
| 21 | | |
| 22 | | |

Internal Packing

| | | |
|--|---|--|
|  |  | |
| | | |

Specification

Methven UK Ltd, Brooklands Mill, English Street, Leigh, Lancashire, WN73EH

Ref No N/A

Date 27/9/11

Sample No N/A

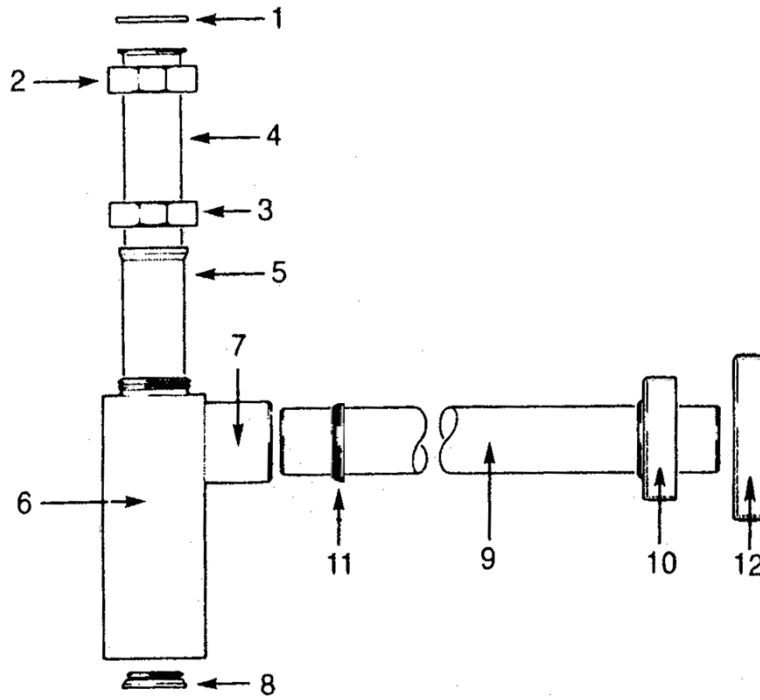
DTC No. DTC44

Issue 2

Code VSN625

Parts Drawing

Change to extension tube length from 200mm to 300mm



Additional Data

Flow (Bar - l/min)

Spout/outlet

| | | | | | | | | | | | |
|-----|-----|-----|-----|-----|-----|-----|-----|---|-----|---|-----|
| 0.1 | N/A | 0.2 | N/A | 0.3 | N/A | 0.5 | N/A | 1 | N/A | 2 | N/A |
|-----|-----|-----|-----|-----|-----|-----|-----|---|-----|---|-----|

Handset/shower head

| | | | | | | | | | | | |
|-----|-----|-----|-----|-----|-----|-----|-----|---|-----|---|-----|
| 0.1 | N/A | 0.2 | N/A | 0.3 | N/A | 0.5 | N/A | 1 | N/A | 2 | N/A |
|-----|-----|-----|-----|-----|-----|-----|-----|---|-----|---|-----|

Approvals NONE

Valve type N/A

Special Features

Specification

Methven UK Ltd, Brooklands Mill, English Street, Leigh, Lancashire, WN73EH

Ref No N/A

Date 27/9/11

Sample No N/A

DTC No. DTC44

Issue 2

Code VSN625

Change to extension
tube length from
200mm to 300mm

