

# Specification

Methven UK Ltd, Brooklands Mill, English Street, Leigh, Lancashire, WN73EH

Ref No N/A

Date 18/11/11

Sample No N/A

DTC No. DTC44

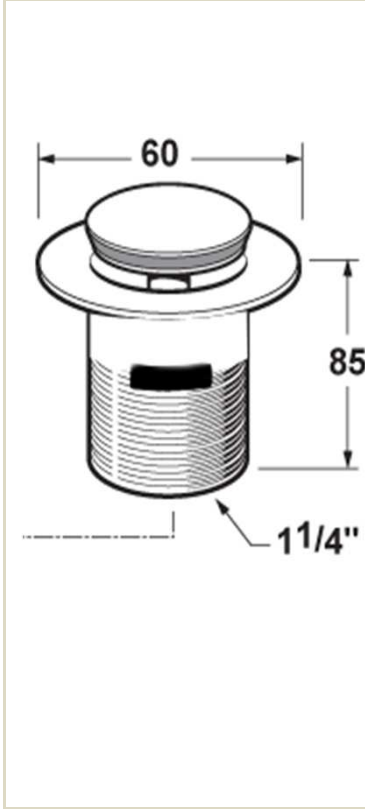
Issue 1

Code PTW300/017

## Image



## Drawing



## Packaging

Box Size 93 x 70 x 70mm

Carton Size

Cartons Per Pallet

Cartons Quantity 50

Units Per Pallet 0

Plastic Weight 0.002

Card Weight 0.024

Paper Weight 0.002

Product Weight 0.283

Total Weight kg 0.311

Fitting Instruction DTC INST 222 - 8.11.11

## Box Label

Box and Pressure label - 75 x 40mm



Label 1, central on end

N/A

Label 2, central on end



Label 3 (date label)  
Top corner, top face  
10/10/10 format

## Carton Label

Carton label size - 200 x 150mm

<b>Methven UK</b> Brooklands Mill English Street Leigh Lancashire WN7 3EH England Product Code:	<b>METHVEN</b>	
	Invoice No.	Carton No.
	Order No.	
	GW	NW
Description:	Box Qty:	Units

## Box Label Details

Barcode 5011632646790  
 Description 1 1/4" SLOTTED PRESS TOP BASIN WASTE  
 Code, description, finish - National Book Regular - 9 pt font  
 Address - National Book Regular - 5.7 pt font  
 Deva logo size - 20.739 x 6.693mm  
 Barcode size - 37.72 x 26.26mm

# Specification

Methven UK Ltd, Brooklands Mill, English Street, Leigh, Lancashire, WN73EH

Ref No N/A

Date 18/11/11

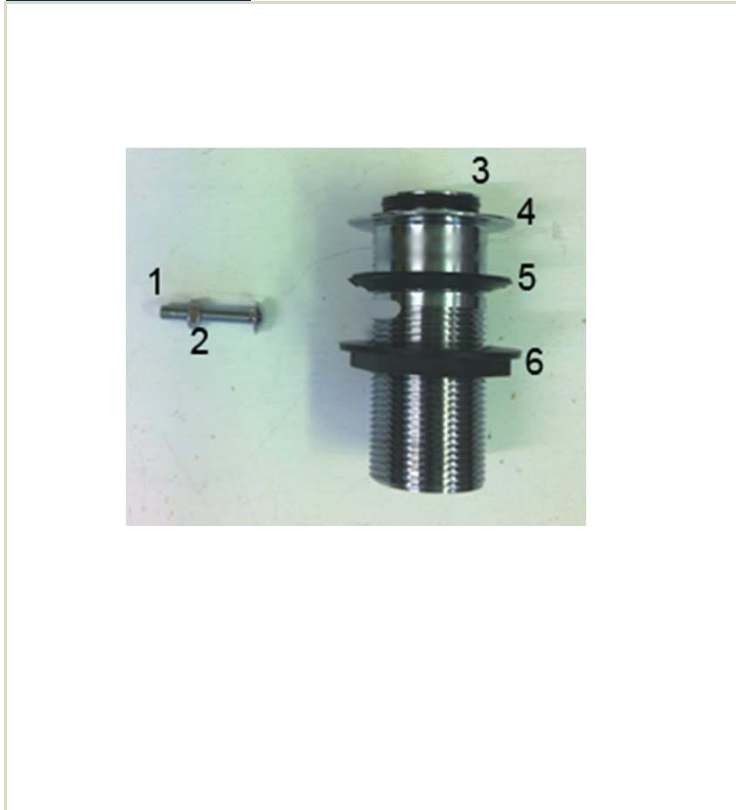
Sample No N/A

DTC No. DTC44

Issue 1

Code PTW300/017


## Box Contents



## Box Contents

		Qty
1	STAY	1
2	STAY NUT	1
3	PLUG MECHANISM c/w SEAL	1
4	WASTE ( 85MM TAIL - SLOTTED)	1
5	WASHER	1
6	BACK NUT	1
7		
8		
9		
10		
11		
12		
13		
14		
15		
16		
17		
18		
19		
20		
21		
22		

## Internal Packing

# Specification



Methven UK Ltd, Brooklands Mill, English Street, Leigh, Lancashire, WN73EH

Ref No N/A

Date 18/11/11

Sample No N/A

DTC No. DTC44

Issue 1

Code PTW300/017

## Parts Drawing



## Additional Data

### Flow (Bar - l/min)

#### Spout/outlet

0.1	N/A	0.2	N/A	0.3	N/A	0.5	N/A	1	N/A	2	N/A
-----	-----	-----	-----	-----	-----	-----	-----	---	-----	---	-----

#### Handset/shower head

0.1	N/A	0.2	N/A	0.3	N/A	0.5	N/A	1	N/A	2	N/A
-----	-----	-----	-----	-----	-----	-----	-----	---	-----	---	-----

Approvals NONE

Valve type N/A

## Special Features

Press action

Slotted

Plastic back nut

# Specification

Methven UK Ltd, Brooklands Mill, English Street, Leigh, Lancashire, WN73EH

Ref No N/A

Date 18/11/11

Sample No N/A

DTC No. DTC44

Issue 1

Code PTW300/017

