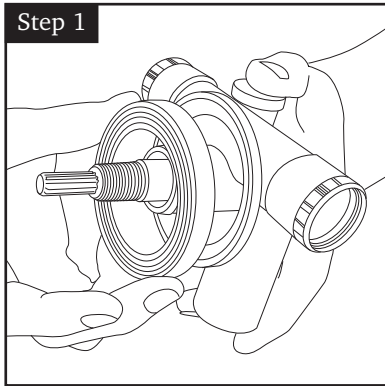
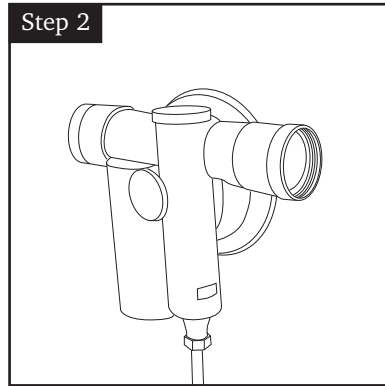


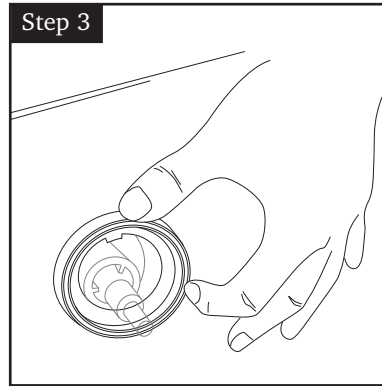
FREEFLOW INSTALLATION GUIDE This Product MUST be fitted before bath is fitted



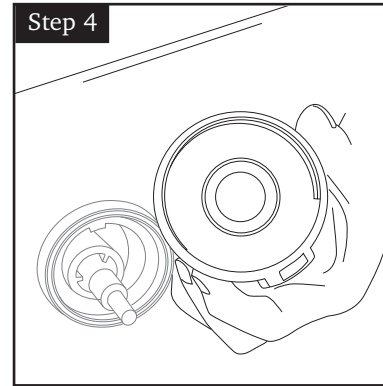
Fit grey seal to filler housing



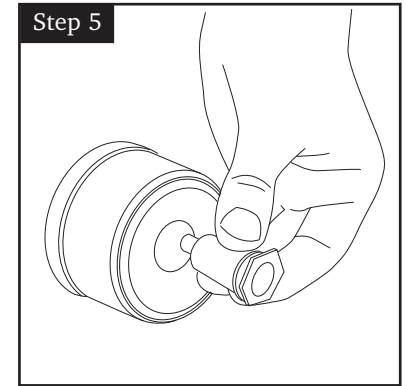
Fit housing to bath



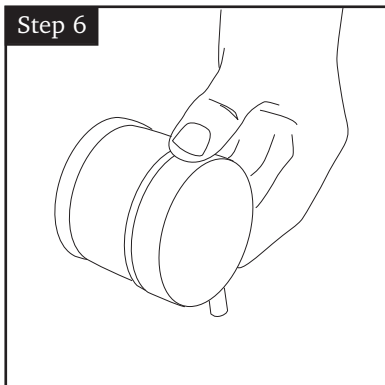
Fit chrome space to bath overflow using silicon if required. (It may be necessary to remove lugs when fitting to some baths with smaller overflow holes).



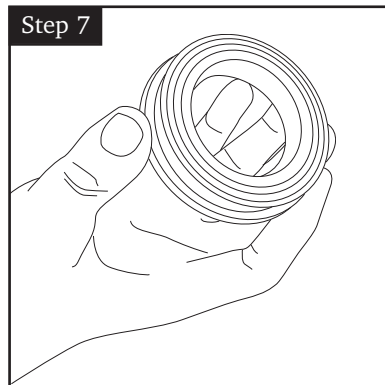
Fit water housing to water outlet housing. If bath thickness is less than 5mm fit white insert. If bath thickness exceeds 8mm insert brass adaptor.



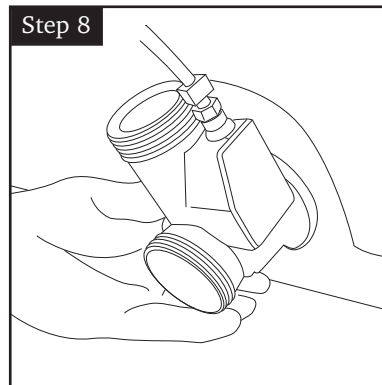
Screw through locking bush to filler housing. Tighten up with spanner.



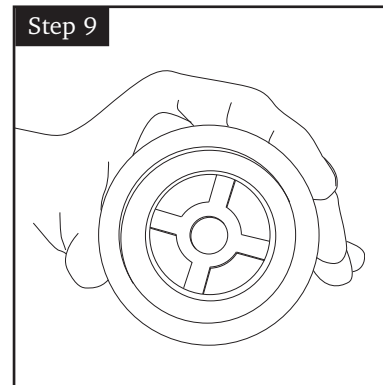
Fit handle onto splinder and cut down for desired fit. Gently squeeze two halves of handle collet together for desired fit.



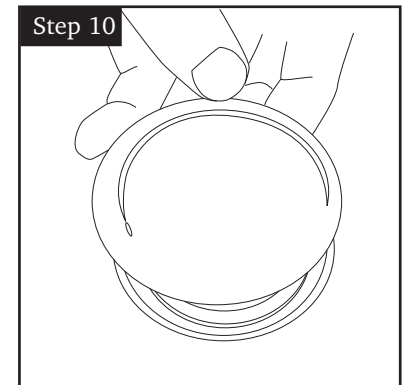
Fit grey sseal to bath waste hole.



Fit wastes to body to underside of bath to grey washer.

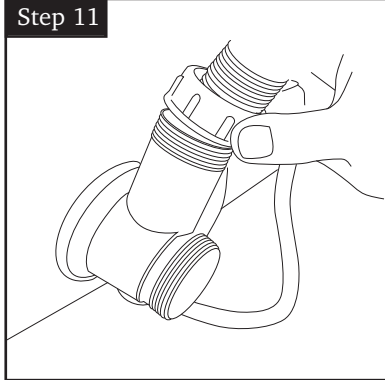


Silicon foam washer to bath. Fit waste and screw together with waste screw.

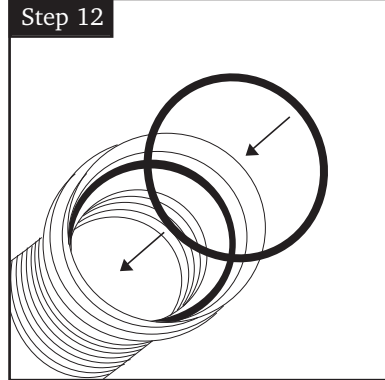


Fit plug (adjusting with screw).

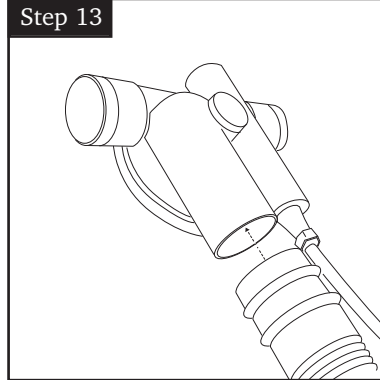
FREEFLOW INSTALLATION GUIDE (con't)



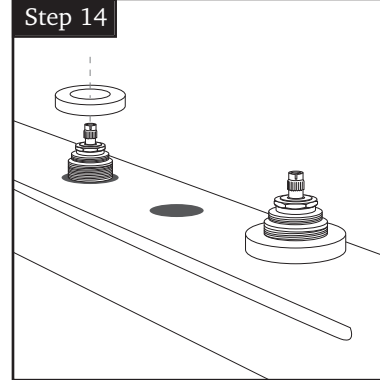
Fit lock ring, nylon washer, O ring and rubber seal to overflow pipe and screw hand tight to waste.



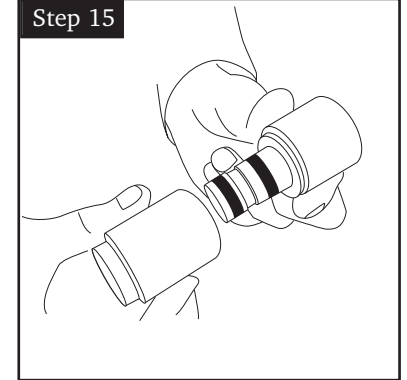
Place rubber seal (x2) inside overflow pipe



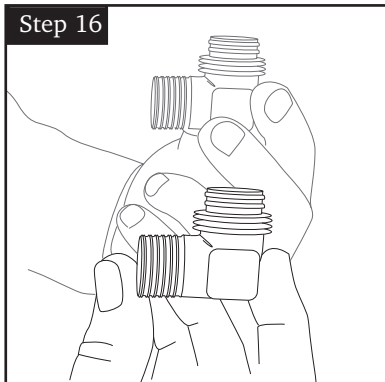
Fit to filler housing (if overflow pipe is too long it can be cut to length at the waste end).



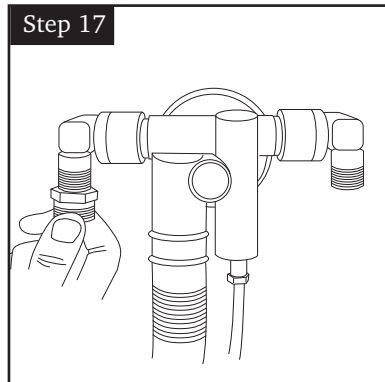
Fit side valves to bath and screw tight with bath flange. (Side valve outlet should be pointing outwards).



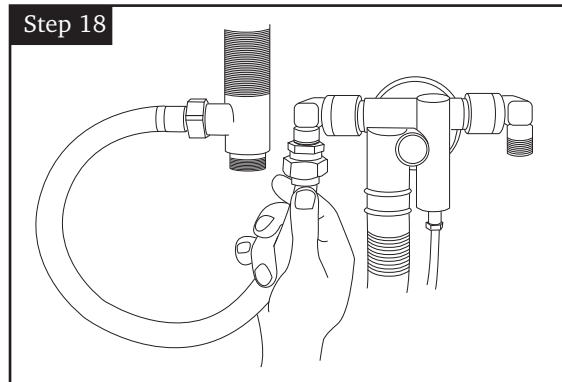
Fit collar and handle to side valve. (Head is push fit).



Fit elbow to filler body.



Screw reducing nuts to elbows.



Connect flexi pipes. (It may be necessary to turn on an angle to complete installation. This is ok as the filler body is on a swivel 'o' ring). Last step tighten all connections.