

INSTALLATION GUIDE

PIVOT DOOR



IMPORTANT

Thank you for choosing Merlyn. Please familiarise yourself with the fitting instructions before commencing fitting.

1. Check that you have the tools required.
2. Check the installation site is compatible with size of door supplied
3. Check all the enclosure components.
4. Check the installation kit is complete

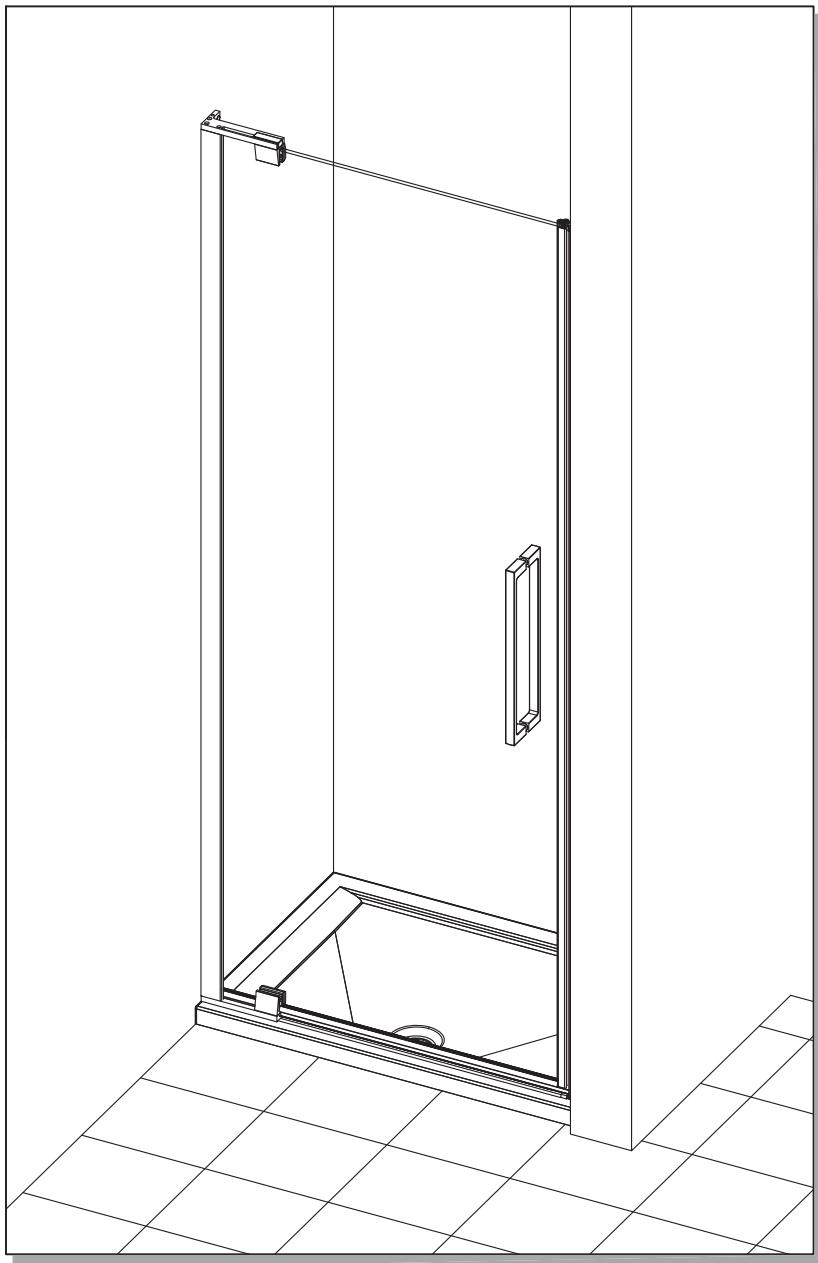
DO NOT attempt to install the product unless you can tick ALL 4 boxes as satisfactory.

The wall plugs supplied with the installation kit are for use in solid walls. Hollow or 'stud-partition' walls will require alternative fixings. Please consult a hard ware supplier for the correct type.

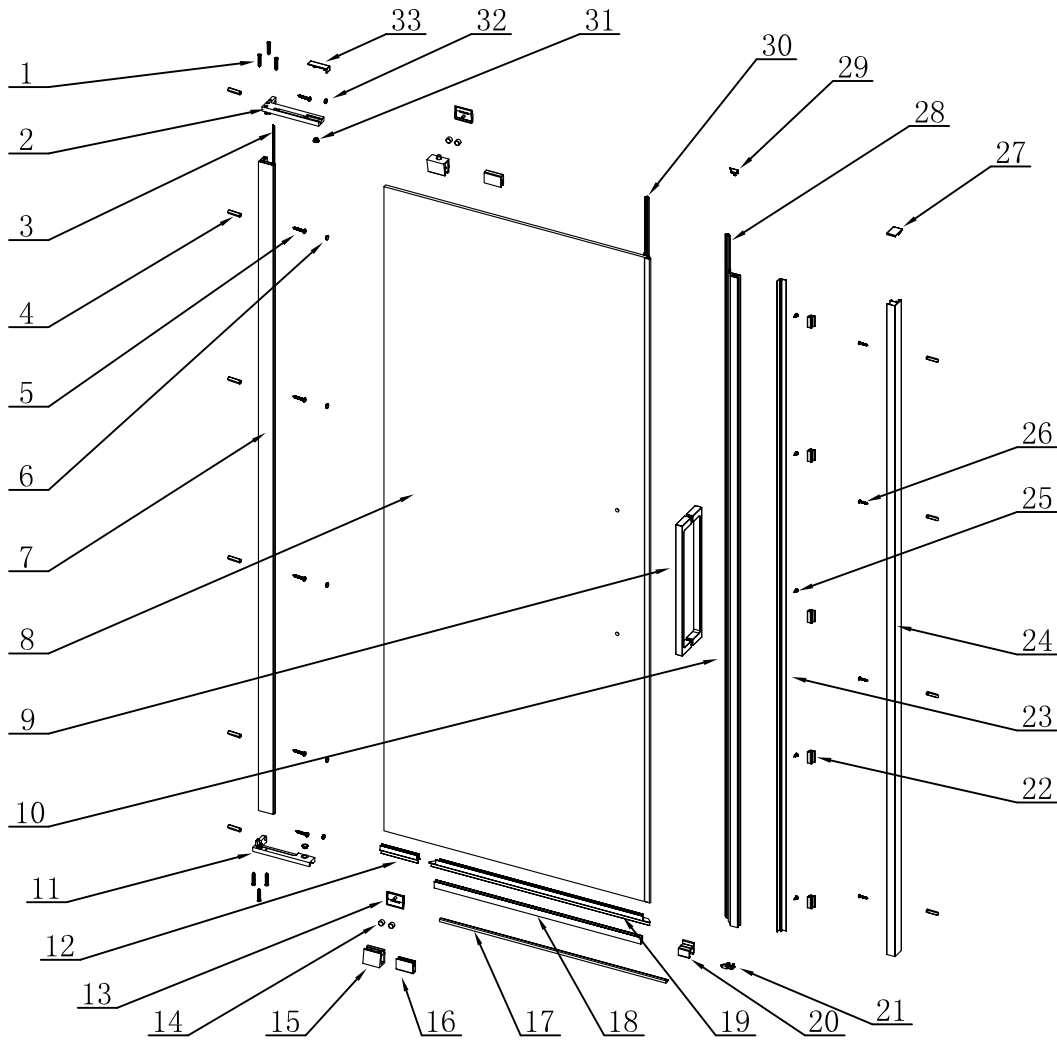
It may also be necessary to consult your tiling supplier about the correct method for drilling your tiles.

USE SAFETY EYEWEAR WHEN DRILLING

Any parts missing or damaged must be reported to your supplier within 5 days of purchase. Inspect shower enclosure before fitting. No claims will be acceptable after product has been installed.



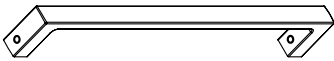
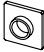
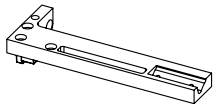
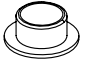


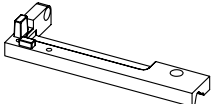


COMPONENTS AND BOX CONTENTS



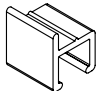








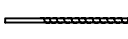
No.	Description	QTY	Part No.	No.	Description	QTY	Part No.
1	ST4*50 screws	6	ST4*50 B	18	glass protector	1	10SP28500
2	Pivot Bracket RH	1	10SP07R	19	bottom water seal	1	10SP24850
3	Pivot upright seal	1	10SP22	20	Fitting glass spacer	1	10SP27
4	wall plugs	10	6*30WSER	21	Magnetic upright profile footplate	1	10SP17NL 10SP17R
5	Wall fixing screws ST5*40	6	ST5*40B	22	Nylon clip	5	10S27
6	Pivot wall profile screw cover cap	4	10SP21	23	cover strip	1	10S03AP2000
7	pivot wall profile	1	10SP01	24	Magnetic upright wall profile	1	10SP02
8	moving panel	1	A		Complete magnetic upright profile - includes 21,22, 23,24,25	1	10SPCWSET
9	handle	1	10SDHCMPL	25	Magnetic upright fixing screws ST4*12	5	ST4*12BH
10	magnetic upright profile	1	10SP03N1997	26	Wall fixing screws ST4*30	4	ST4*30B
	Complete magnetic upright profile - includes 10, 20,26,27	1	10SP03N1997 SET	27	Pivot magnetic wall profile top cover cap(L/R)	1	10SP19L 10SP19R
11	Pivot bracket LH	1	10SP07R	28	magnetic seal(fitting on magnetic upright profile)	1	10SP25
12	bottom water seal - short	1	10SP24100	29	magnetic upright profile top cover(L/R)	1	10SP18NL 10SP18NR
13	Pivot block inside cover cap	2	10SP12	30	magnetic seal(fit on the moving panel)	1	10SP25
14	M14*10 hex head screw	4	M14*10HHGR	31	Pivot bracket nylon gasket	2	10SP14
15	Pivot block	2	10SP09	32	Pivot bracket wall screw cover cap	2	10SP29
16	Pivot block washer	2	10SP13	33	Pivot bracket top cover cap	1	10SP11
17	luna rail	1	10SWK28785				



Note: Further part details for fixing kit available on page 2

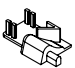
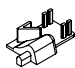
Fixing Kit Components



 10SDHINN x 1	 10SDHWS x 4	 10SP07 x 1	 10SP14 x 2
 10SDHOUT x 1	 10SDHBSC x 2	 10SP08 x 1	
	 M5x6GR x 4		
	 2.5mmALKEY x 1		

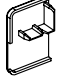
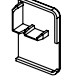
 10SP21 x 4	 10SP29 x 2	 10SP27 x 1
---	---	---

 5mmALKEY x 1	 ST4x50B x 6	 ST5x40B x 6	 ST4x30B x 4
	 ST4*12BH x 5	 6*30WSER x 10	 V6115 x 1

 10SP12 x 2	 10SP11 x 1
---	---

 10SP17NL L x 1	 10SP17NR R x 1
---	---

 10SP18NL L x 1	 10SP18NR R x 1
---	--

 10SP19L L x 1	 10SP19R R x 1
--	--

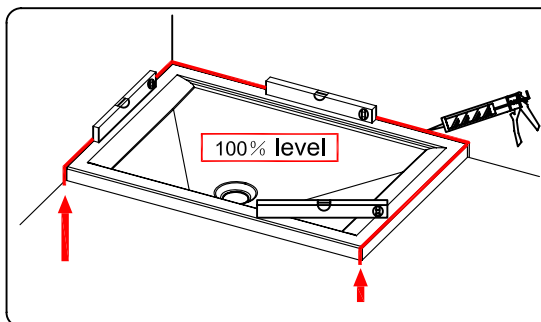
Tools Required

- 6mm masonry drill bit
- Power drill
- Quality Silicone
- Pencil
- Tape Measure
- #2 Philips Head screw driver
- Spirit level with horizontal and vertical level indicators

IMPORTANT - Installation site

1. Ensure the top surface of the shower tray on which the enclosure will be installed is level in every direction.
2. The tiles or other wall finishing should be effectively sealed at tray edges.
3. Tiles should extend at least to the corner of the tray and a minimum of 2.1 meters from top of the tray.

PROCEDURE



TRAY MUST BE 100% LEVEL IN ALL DIRECTIONS

Ensure the shower tray is level in all directions and is properly sealed to the wall. The wall must be tiled down to the top edge of the tray. **Do not angle out bottom tile.**

TRAY MUST BE SEALED FULLY AROUND WHERE THE TRAY MEETS THE WALL.

Step 1.

Fit the top and bottom pivot bracket **10SP07R/L** to the pivot wall profile **10SP01** using screws **ST4*50B**.

Note: The top bracket needs to be pushed fully onto the profile but not tightened as need to be able to slot on door panel later.

Step 2.

Step the pivot wall profile **10SP01** in 20mm from the front edge of the shower tray, Ensure the wall profile is plumb. Mark the position for fixing the wall profile to the wall (through wall profile and pivot brackets). Ensure top bracket is fully pushed onto the profile.

Note: Must mark the centre of the slot as extra may be needed for adjustment later on.

Note: Do not remove the protective plastic on outside of the wall profile until just before sealing.

Step 3.

Drill hole (**THROUGH THE CENTRE OF THE SLOT**) with 6mm masonry drill bit and insert wall plugs **6*30WSER**.

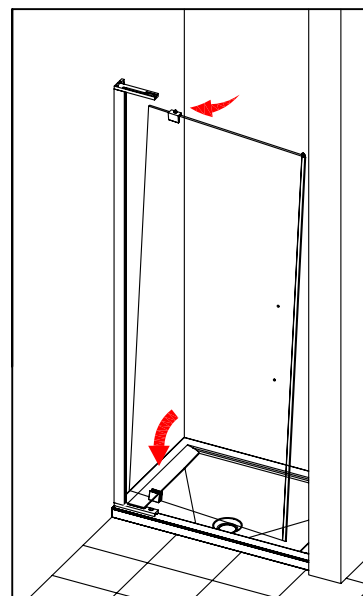
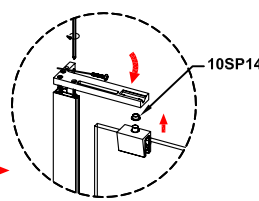
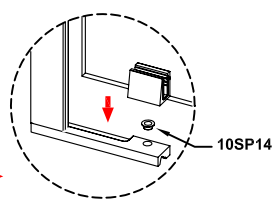
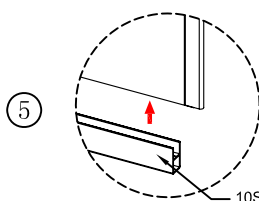
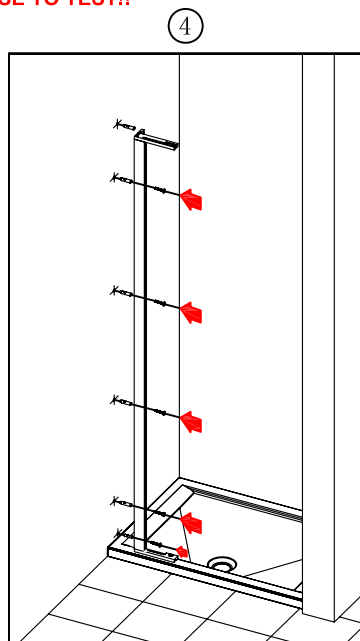
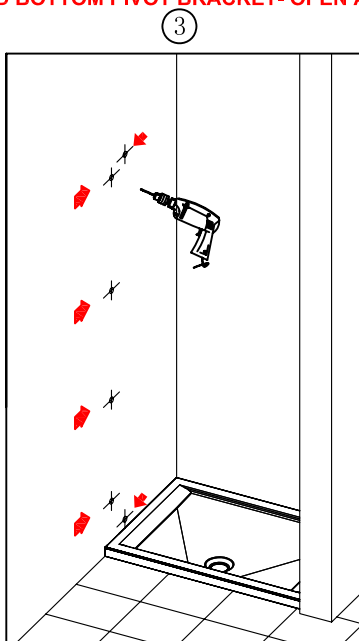
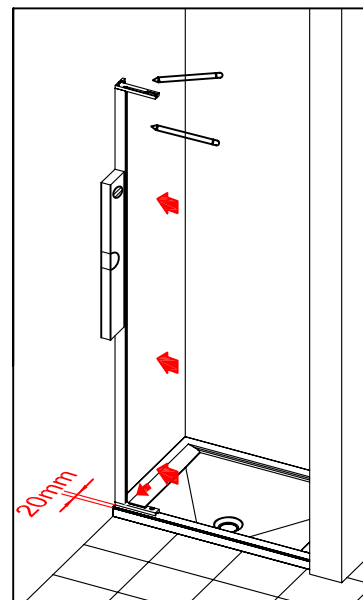
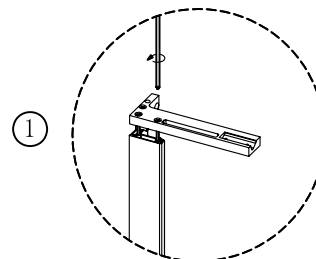
Step 4.

Fix the Pivot wall profile and the bottom Pivot bracket to the wall using screws **ST5*40B**.

Step 5.

Note: Remove the upright seal on the back of the glass door panel – this is only used to protect the glass in the packaging.

Fit the glass protector strip **10SP28500** to the bottom of the moving panel and move to the installation position by inserting the pivot block onto the bottom pivot bracket and repeat for the top pivot block. **IMPORTANT: ENSURE THE NYLON WASHER 10SP14 IS IN THE TOP AND BOTTOM PIVOT BRACKET!!!** Retighten the 3 screws connecting the top Pivot bracket to the profile. Remove the glass protector strip from the bottom of the moving panel. **ENSURE THE DOOR IS SECURE IN THE TOP AND BOTTOM PIVOT BRACKET- OPEN AND CLOSE TO TEST!!!**



Step 6.

To fit the handle, insert brass screws **10SDHBSC** from the inside through the glass and attach to the outside handle **10SDHOUT** ensuring washers are between the handle and glass on both sides. **NOTE:** do not over tighten. Fix on inside part of the handle **10SDHINN** and tighten with 2.5mm hex key .

Step 7.

Insert one end of the Luna rail **10SWK28785** fully into the bottom pivot bracket. Position the magnetic upright footplate **10SP17NL/R** on the bottom of the magnet profile.

Step 8.

Insert the magnet upright profile **10SP03N1997** into wall profile **10SP02** and insert the luna rail onto the footplate.

Step 9.

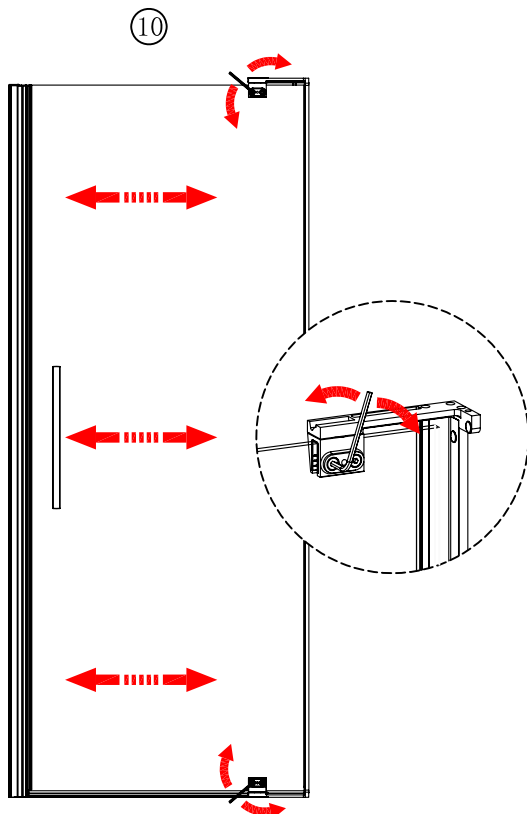
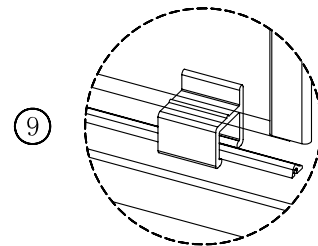
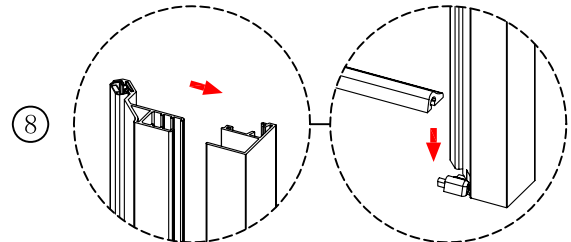
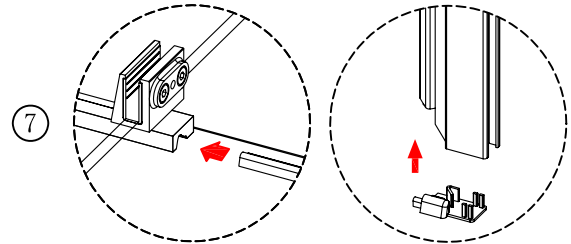
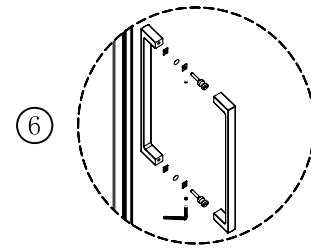
Position the glass spacer **10SP27** over the luna rail near the magnetic strip and close the door so it rests on top. The spacer allows for the glass to be adjusted in the pivot block. **Tip** – May need to loosen the pivot block hex screws **M14*10HHGR** first with the 5mm hex key so door sits on the spacer – hold the door handle when doing this.

Step 10.

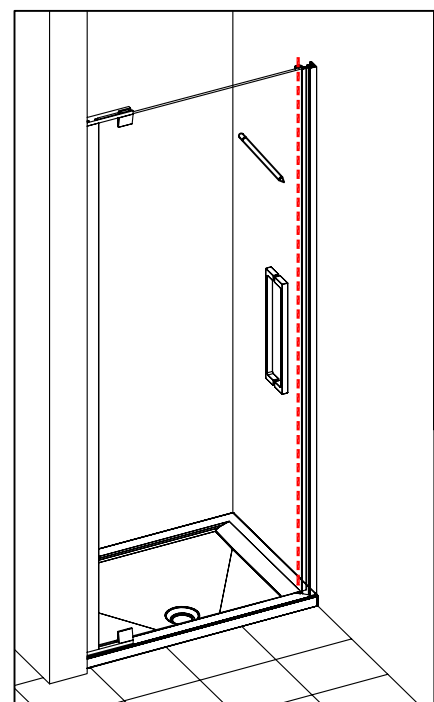
From the inside, loosen the top and bottom pivot block Hex screws using the 5mm hex key. Adjust out the moving panel and magnet profile until they align correctly. While holding the magnetic profile in place and ensuring the luna rail is parallel to the edge of the tray, mark a line, top to bottom, down the inside of the profile where it is positioned against the wall.

Step 11.

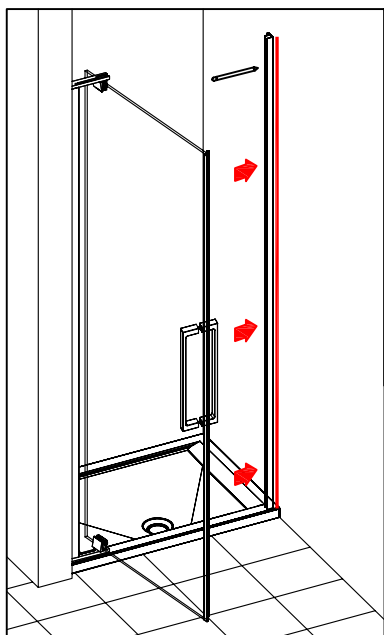
Retighten the pivot block hex screws with the 5mm Hex key (**VERY IMPORTANT - DO NOT OVERTIGHTEN**).



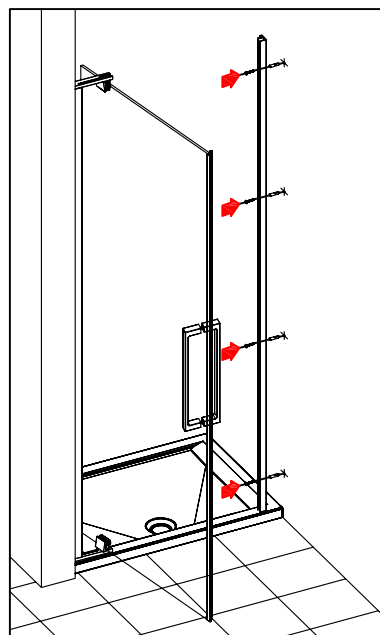
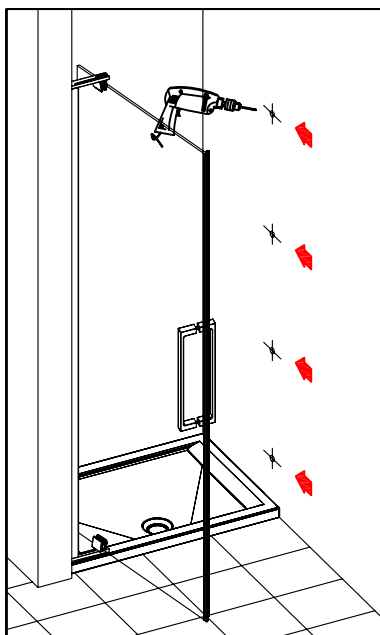
the luna rail is parallel to the edge of tray



12



13



Step 12.

Mark position for fixing the wall profile to the wall. Important: Must mark through the centre of the slots in the wall profile as the extra will be needed for adjustment later on. Drill holes **(THROUGH THE CENTRE OF THE SLOTS)** with 6mm masonry bit and insert wall plugs **6*30WSER**.

Step 13.

Fix the wall profile to the wall through the centre of the slot with screws **ST4*30B**. Reinsert the magnetic profile and clip luna rail onto footplate.

Step 14.

Reposition the moving panel onto the glass spacer (See step 9). Loosen hex key on the top and bottom pivot block again. Adjust the moving panel and magnet upright profile until the door closes fully. **NOTE:** After adjusting, ensure the back of the door panel seals against the upright fin on the pivot wall profile – if not adjust out the magnetic upright profile more to compensate.

NOTE: the Pivot wall profile and magnetic wall profile can be adjusted where fixed to the wall to close any small gaps between the magnets.

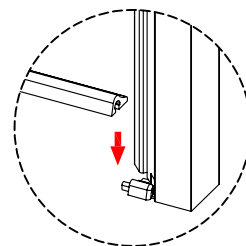
Step 15.

Re tighten the hex screws with 5mm hex key (**VERY IMPORTANT - DO NOT OVERTIGHTEN**).

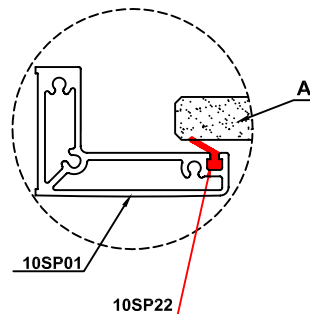
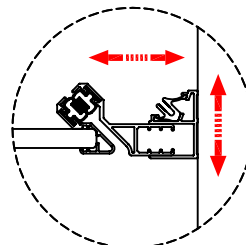
Step 16.

Drill hole with drill bit $\varnothing 3.5$ **V6115** and fix with screws **ST4*12BH**. Fix cover strip **10S03AP2000**.

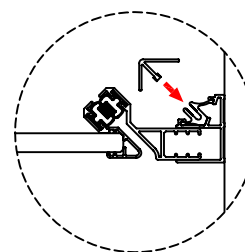
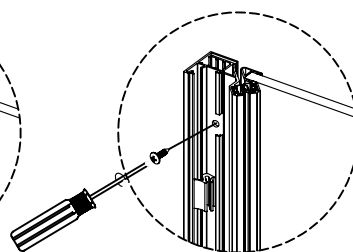
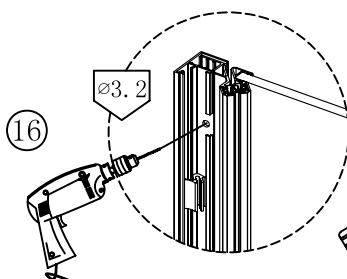
13



14



16



Step 17.

Remove the glass spacer.

Step 18.

To get the correct seal length, on the outside, measure from the outside of the magnetic strip on the moving panel to the edge of the bottom pivot block – Dimension A. Cut the bottom seal to this length– **DO NOT CUT THE SEAL TOO SHORT AND DO NOT CUT THE INCORRECT END (DIE CUT IN THE SEAL GOES UNDER THE MAGNETIC PROFILE ON THE DOOR)** (Dimension A should be to the outside of the magnetic profile not just the glass area!!)

Cut the short seal from the other side of the pivot block to the pivot upright profile – Dimension B.

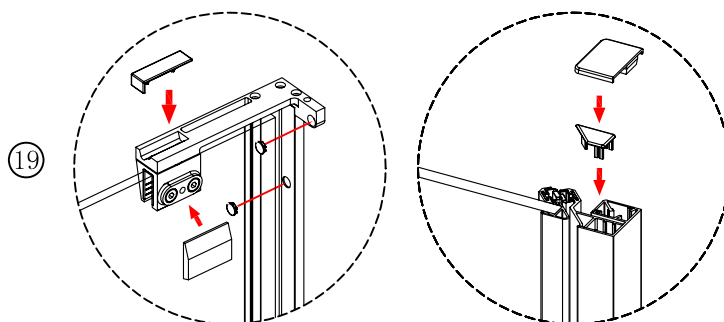
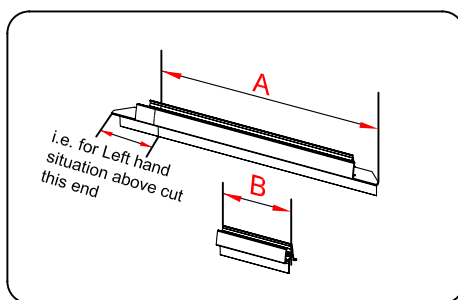
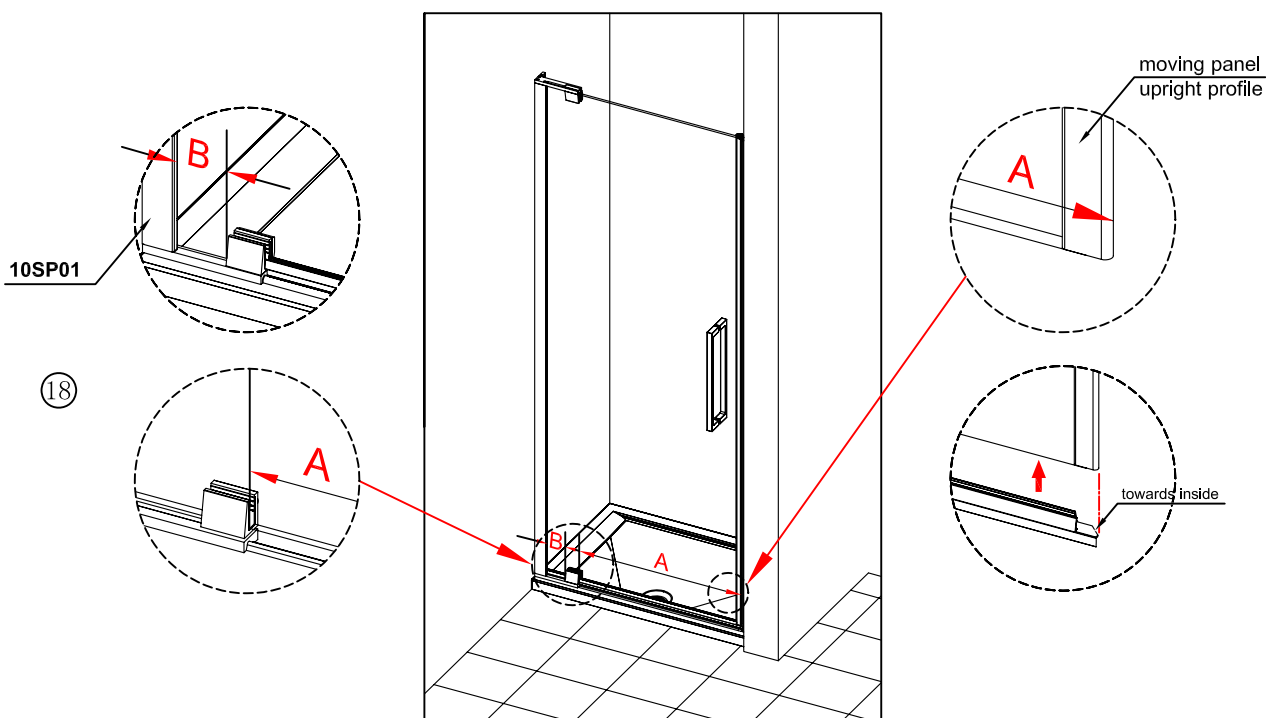
NOTE: Keep the angled deflector Fin on the seal towards the inside.

Step 19.

Clip on magnetic upright profile cover caps **10SP18NL/R** and wall profile cover caps **10SP19L/R**. Also clip on top pivot bracket cover caps **10SP11**.

Clip on Pivot block cover cap **10SP12** and also all screw cover caps **10SP21** and **10SP29** for the pivot wall profile

TIP – use a dab of silicone under cover caps to keeps on securely



Step 20.

IMPORTANT - Put a dab of silicone on the end of the seal where it sits under the magnet.

Note: Before sealing, Remove the protective plastic on the profiles.

Step 21.

Use a quality silicone sealant and applicator gun to seal the finished door.

SEALING INSIDE

Seal top to bottom on the **INSIDE** between the wall profile and the wall.

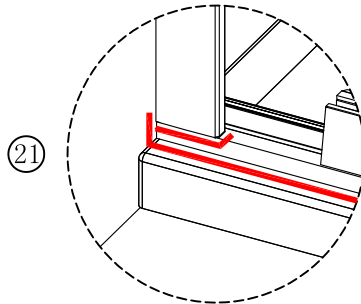
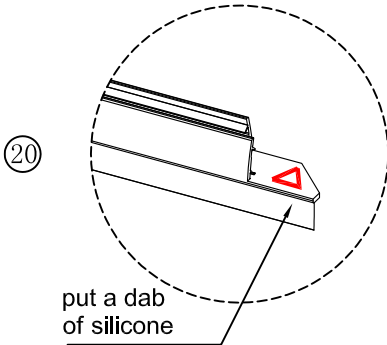
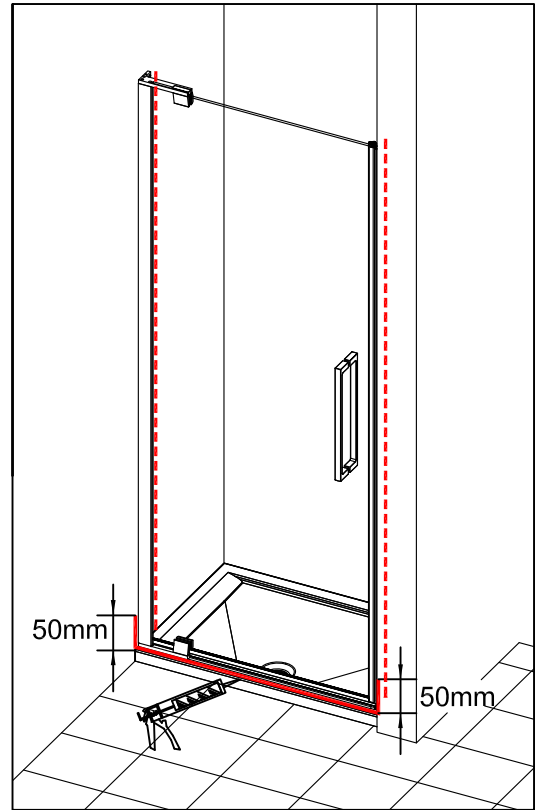
Note: Do not apply sealant on the inside of the tray.

SEALING OUTSIDE

Seal only along bottom on the **OUTSIDE** between glass/rail/profile and the tray and approx 50mm up between the wall profile and the wall.

Seal overlap of the magnetic upright and wall profile 50mm up on outside.

Seal the joining between the bottom pivot and profile on outside and on side.



24 HRS



DO NOT use the enclosure for 24 hrs after sealing.

TROUBLE SHOOTING GUIDE

DOOR NOT ALIGNING

1. Is the tray 100% level (See page 3)
2. Has the wall been checked at different levels to ensure consistency?
3. Is the wall profile stepped in the correct distance from the edge of the tray? (See step 2)
4. Do the finished measurements on the tray comply with the adjustment listed on the label and in the specifications book?
5. Has the wall profile, where fixed to the wall, been adjusted in or out to ensure door magnets close fully (See step 14)
6. Is there an even gap between the luna rail and the seal on the bottom of the door (See step 14)

DOOR LEAKING

1. Is the bottom seal fitted on the moving door panel with the deflector to the inside? (See step 18)
2. Is there a dab of silicone on the bottom seal where it is positioned under the magnetic profile on the door panel (See step 20)
3. Is there a gap between the magnets? (See step 10 & 14)
4. Is the door sealed correctly (See step 21)
5. Are the TWO bottom seals on the door panel the correct length - **IMPORTANT!!** (See step 18)
6. Is the back of the door panel creating a seal on the fin on the inside of the pivot upright profile when the door is closed (See step 14)

OTHERS

1. Is the door catching on the luna rail when being opened and closed (See step 9)

SERIES 10 PIVOT DOOR

WE ARE SURE YOU WILL BE PLEASED WITH YOUR NEW MERLYN SHOWER DOOR.

Where a shower door has been installed contrary to these instructions, Merlyn cannot accept responsibility for any loss or damage, however caused, and any on-site service may incur a charge.

www.merlynbathrooms.com

FAILURE TO FOLLOW THE INSTRUCTIONS CORRECTLY MAY INVALIDATE YOUR GUARANTEE