

Corner Door



IMPORTANT

Thank you for choosing Merlyn. Please familiarise yourself with the fitting instructions before commencing fitting.

1. Check that you have the tools required.
2. Check that the installation site is compatible with size of door supplied
3. Check all the enclosure components.
4. Check that the installation kit is complete

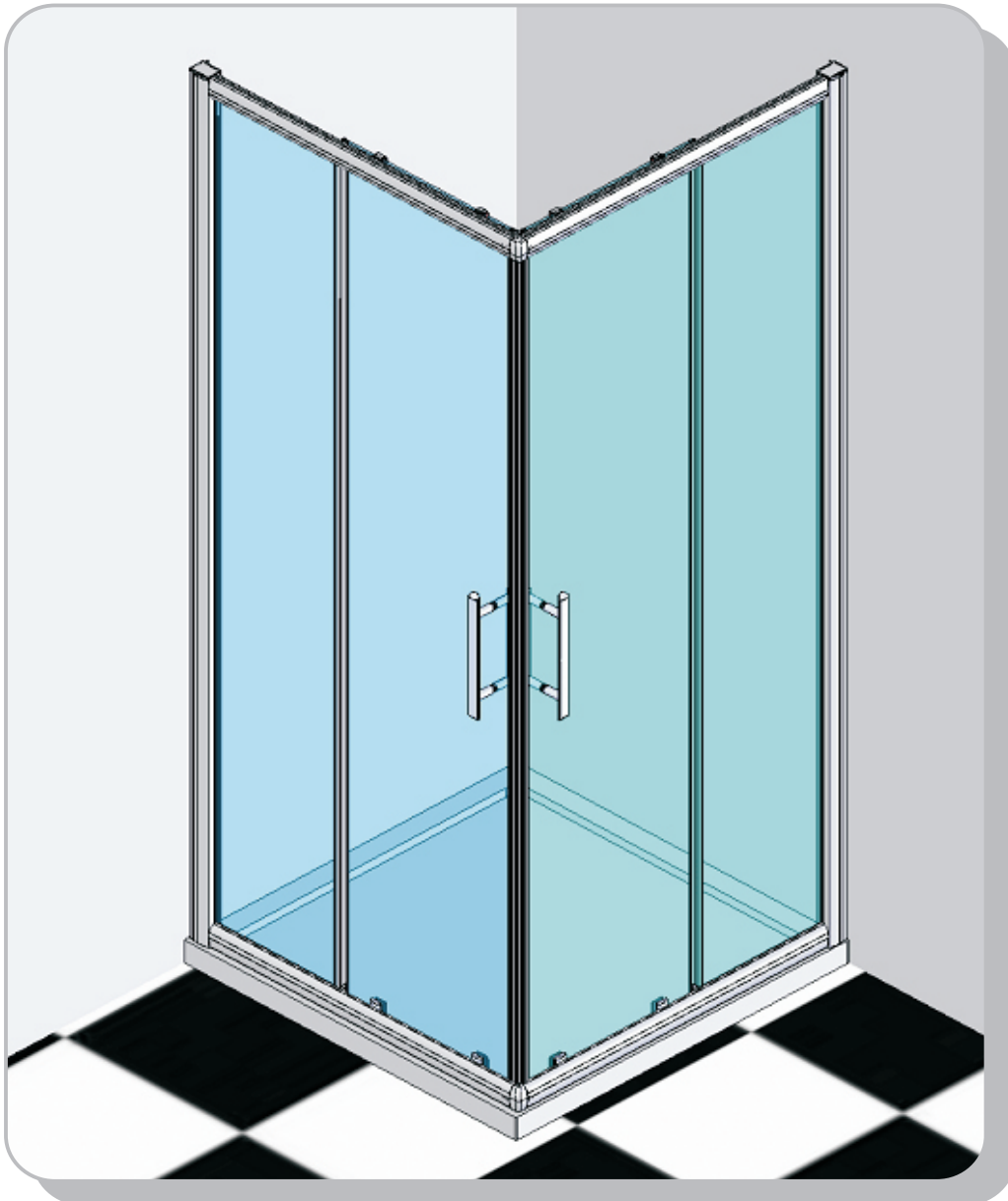
DO NOT attempt to install the product unless you can tick ALL 4 boxes as satisfactory.

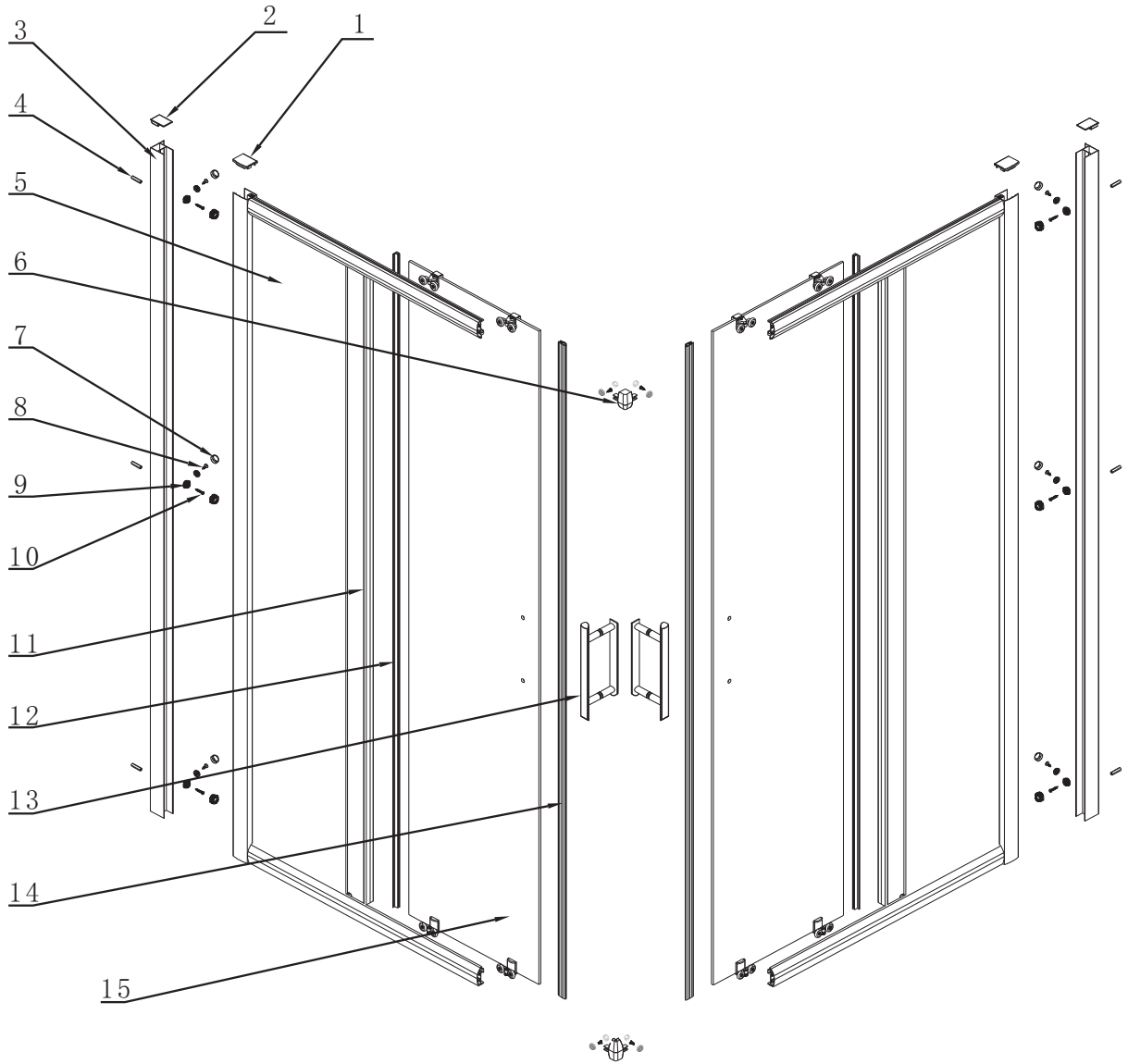
The wall plugs supplied with the installation kit are for use in solid walls. Hollow or 'stud-partition' walls will require alternative fixings. Please consult a hardware supplier for the correct type.

It may also be necessary to consult your tiling supplier about the correct method for drilling your tiles.

USE SAFETY EYEWEAR WHEN DRILLING

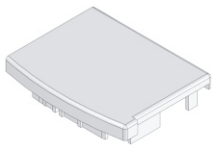
Any parts missing or damaged must be reported to your supplier within 5 days of purchase. Inspect shower enclosure before fitting. No claims will be acceptable after product has been installed.



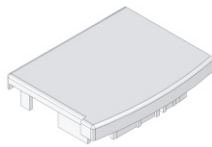


No.	Description	QTY	Part No.	No.	Description	QTY	Part No.
1	Cover cap for upright profile L/R	2	V2101L/R	9	Screw cover cap clip	16	V2114
2	Top cover cap for wall profile	2	V2104	10	B head screw ST 4×30	14	V4111
3	Wall profile	2	S6S01	11	Upright water seal for moving panel	2	S6LC83291871
4	∅6×30 wall plug	6	V6113	12	Upright water seal for moving panel	2	S6LC83291805
5	Fixed panel	2	A	13	Handle	2	S6HDLE
6	Corner bracket	2	V8115	14	Magnetic strip set	2	S6LC8113
7	Screw cover cap	16	V2115	15	Moving panel	2	B
8	Flat head screw ST4×12	16	V4110				

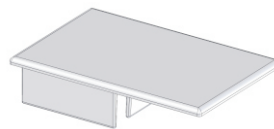
Note: Further part details for fixing kit available on page 2



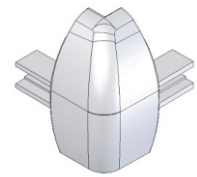
V2101L
X1



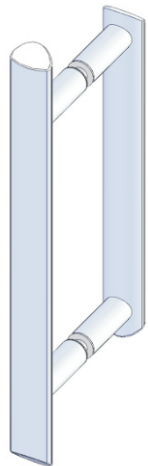
V2101R
X1



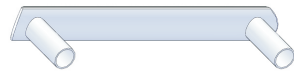
V2104
X2



V8115
X2



S6HDLE
X2



S6HDLEP1 X2



S6HDLEP2 X2



S6HDLEP3 X4



S6HDLEP4 X4



S6HDLEP5 X8



S6HDLEP5 X4



S6HDLEP5 X2



V2115
X16



V2114
X16



V6113
X6



V4111
X14



V4110
X10



V6115
X1

Tools Required

- 6mm masonry drill bit
- Spanner
- Power drill
- Quality Silicone
- Pencil
- Tape Measure
- #2 Philips Head screw driver
- Spirit level with horizontal and vertical level indicators

IMPORTANT - Installation site

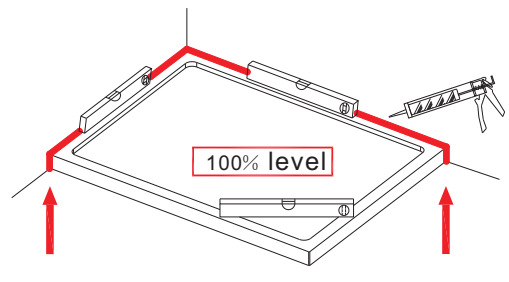
1. Ensure the top surface of the shower tray on which the enclosure will be installed is level in every direction.
2. The tiles or other wall finishing should be effectively sealed at the tray edges.
3. Tiles should extend at least to the corners of the tray and a minimum of 2.0 metres from the top of the tray.

PROCEDURE

TRAY MUST BE 100% LEVEL IN ALL DIRECTIONS

Ensure the shower tray is level in all directions and is properly sealed to the wall. The wall must be tiled down to the top edge of the tray. **Do not angle out bottom tile.**

TRAY MUST BE SEALED FULLY AROUND WHERE THE TRAY MEETS THE WALL.



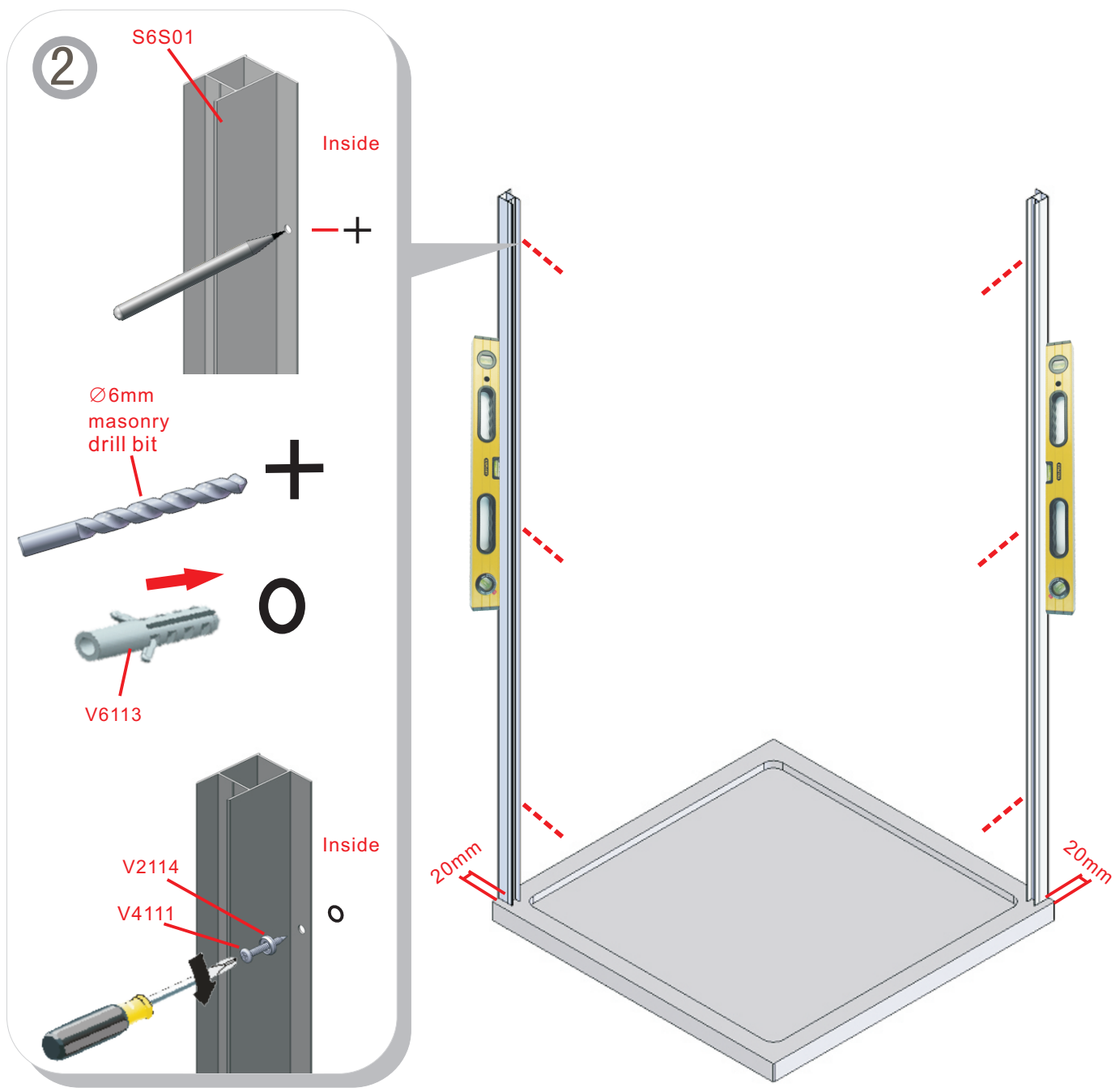
Step 1.

Step in wall profile 20mm from the front edge of the shower tray. Ensure wall profile is plumb.

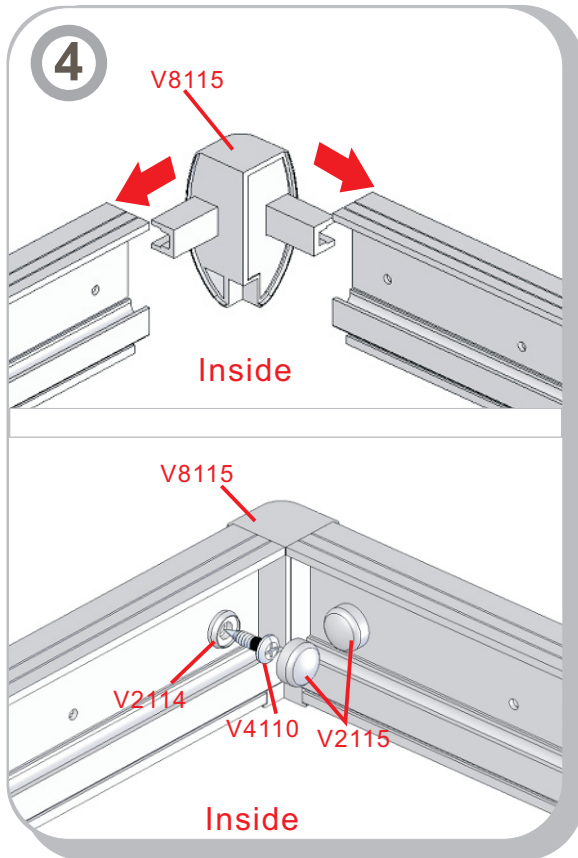
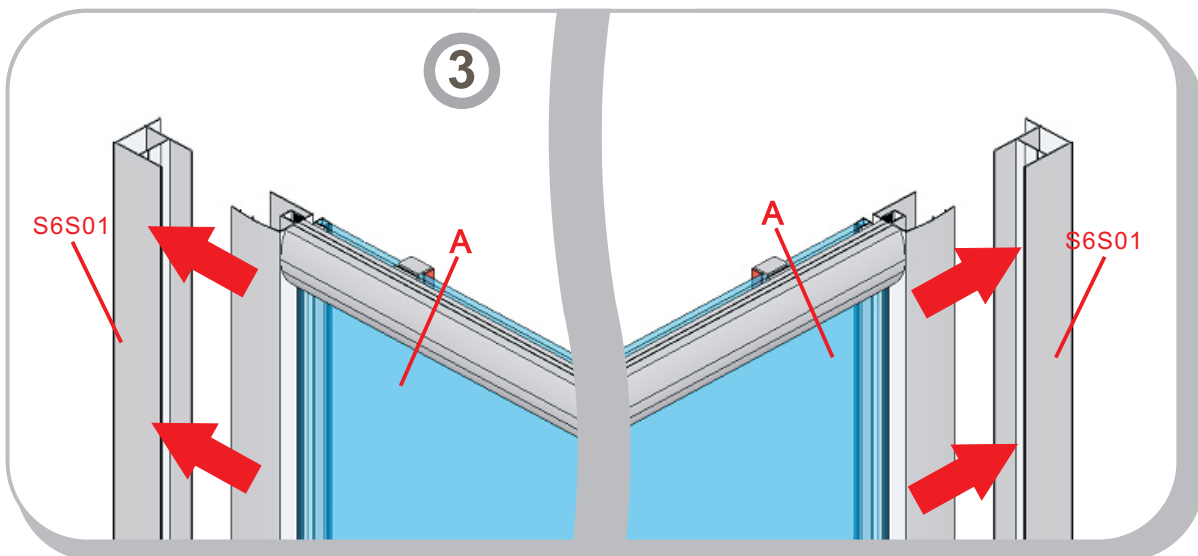
Do not silicone behind wall profile to wall, see sealing section.

Step 2.

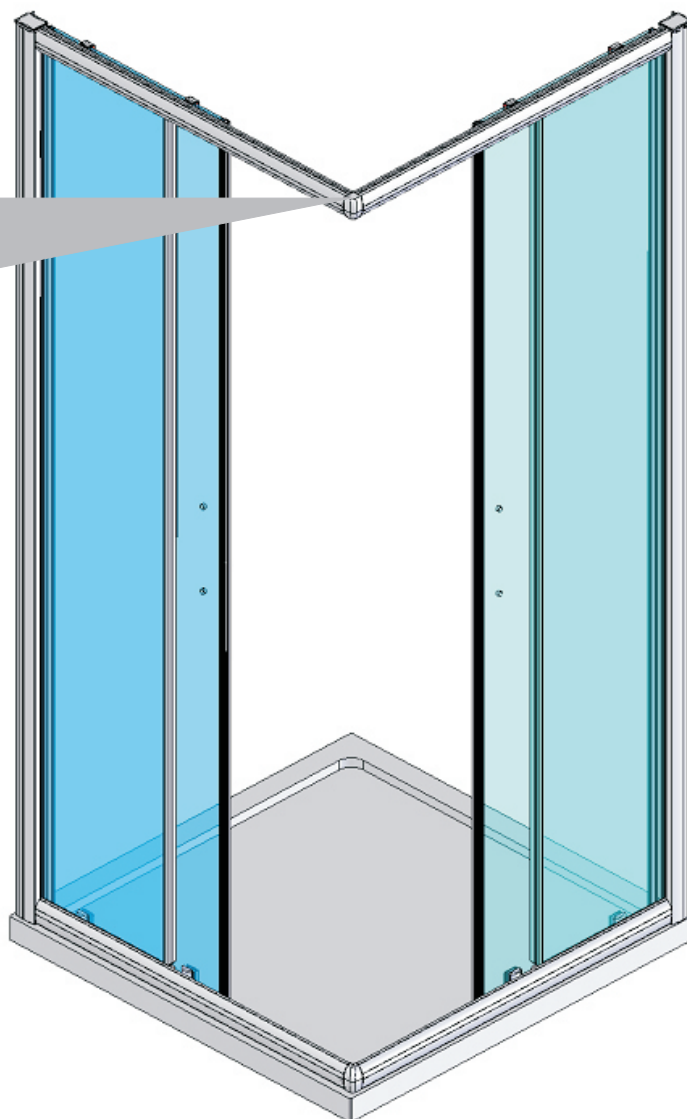
Mark the position for fixing the wall profile to wall.



Step 3.
Fit the two fixed panels to the wall profiles.



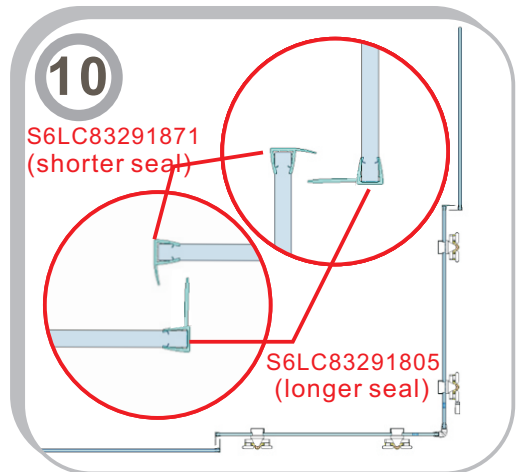
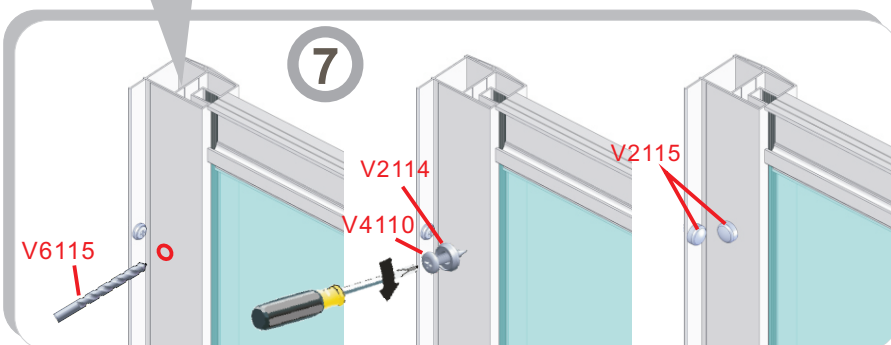
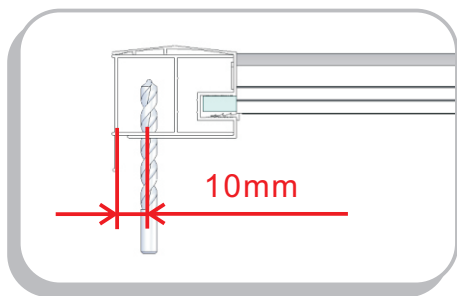
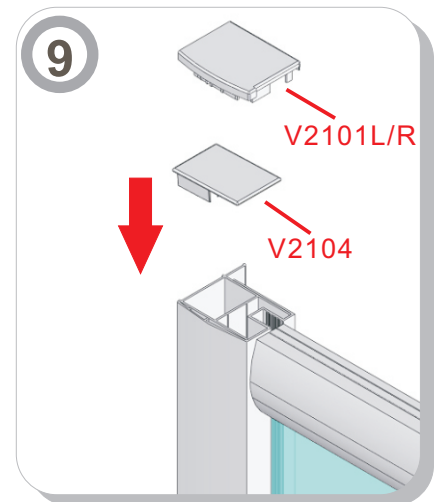
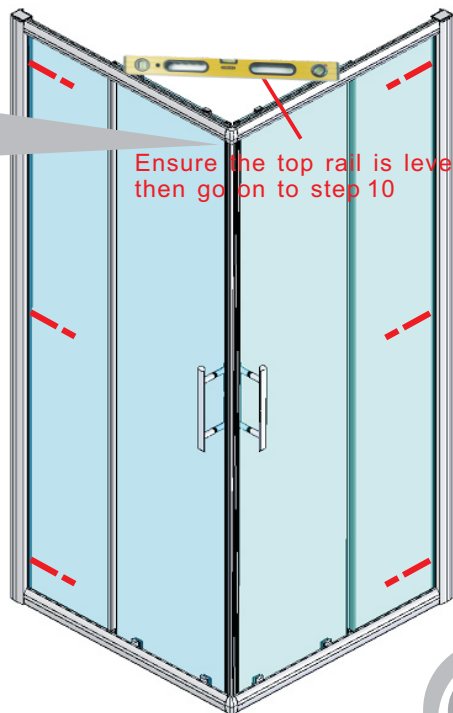
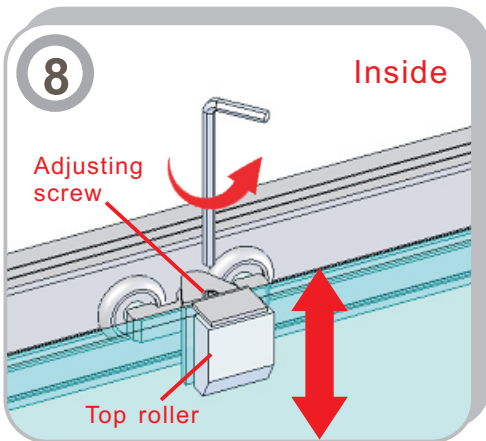
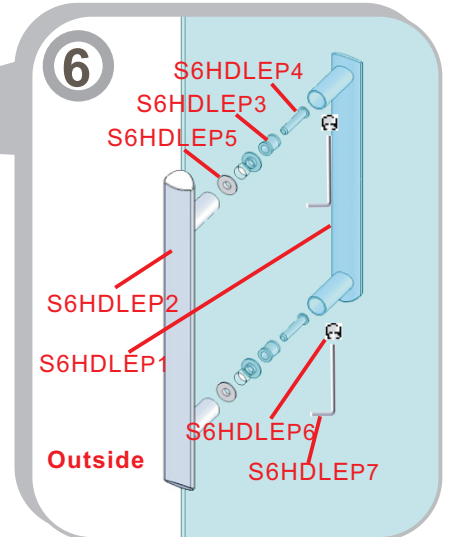
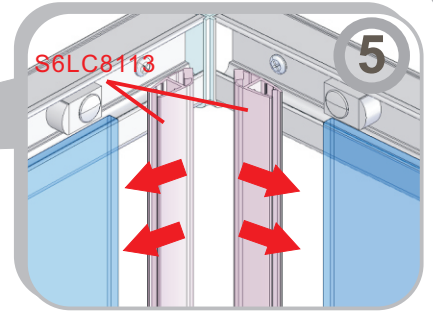
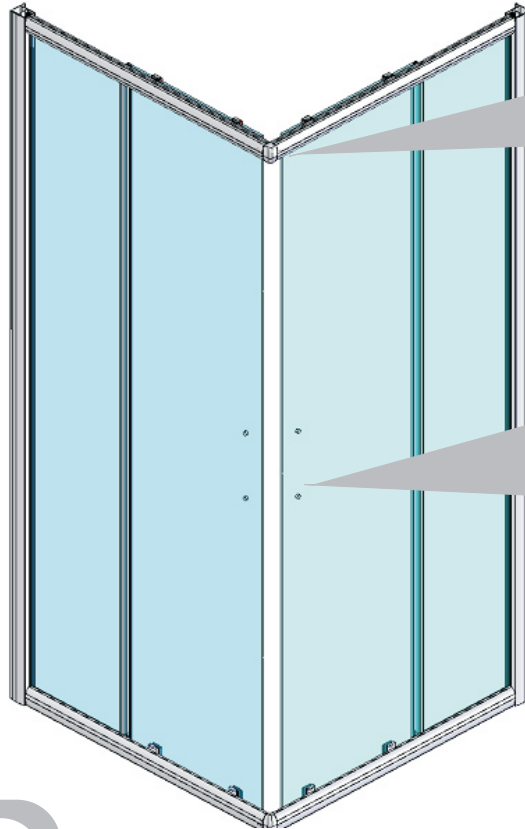
Step 4.
Fix the corner bracket **V8115** to top and bottom track using **V4110**.



Step 7.
Drill through upright and wall profile in 3 places top to bottom as shown.

Step 8.
If the moving panels are not closing correctly, or there is any gap between the magnets, please loosen the screw on the top roller to adjust them. You may need to loosen inside nut to do this. Ensure you can see top adjusting screw.

Note: Adjust top rollers also to ensure bottom rollers are running properly in the



Step 11.

Use a quality silicone sealant and applicator gun to seal the finished door.

SEALING INSIDE

Seal top to bottom on the **INSIDE** between the wall profile and the wall.

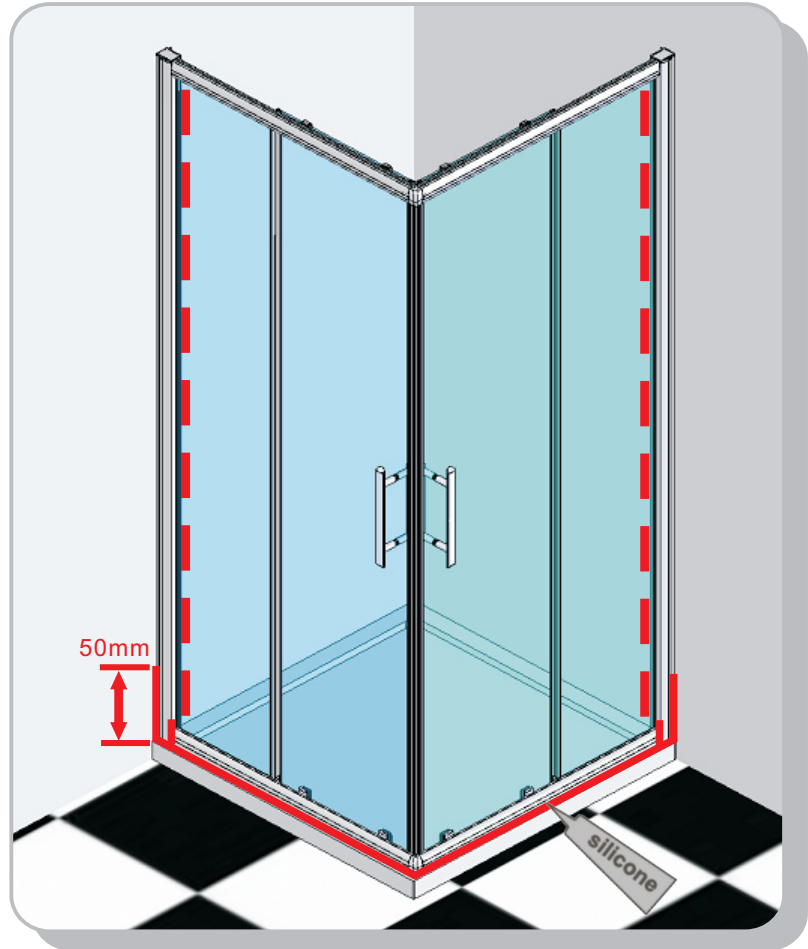
Note: Do not apply sealant on the inside of the tray.

SEALING OUTSIDE

Seal only along bottom on the **OUTSIDE** between glass/rail/profile and the tray and approx 50mm up between the wall profile and the wall. Seal joint between bottom profile and upright profile.



DO NOT use the enclosure for 24 hrs



TROUBLE SHOOTING GUIDE

DOOR NOT ALIGNING

1. Is the tray 100% level? (see page 3)
2. Have the walls been checked at different levels to ensure consistency?
3. Are the wall profiles stepped in 20mm from the edge of the tray? (see step 1)
4. Do the finished tile measurements on the tray comply with the adjustment listed on the label and in the specifications book?
6. Is the top rail level? (see step 8)
7. Is the height in the middle from top to bottom of the frame $1900 \pm 2\text{mm}$. (See step 4)

DOOR LEAKING

1. Have the rollers been adjusted so there is no gap between the magnets. (See step 8)
2. Is the upright seal fitted? (see step 10)
3. Is the door sealed correctly? (see step 11)