

# BIFOLD DOOR



## IMPORTANT

Thank you for choosing Merlyn. Please familiarise yourself with the fitting instructions before commencing fitting.

1. Check that you have the tools required.
2. Check that the installation site is compatible with size of door supplied
3. Check all the enclosure components.
4. Check that the installation kit is complete

**DO NOT attempt** to install the product unless you can tick ALL 4 boxes as satisfactory.

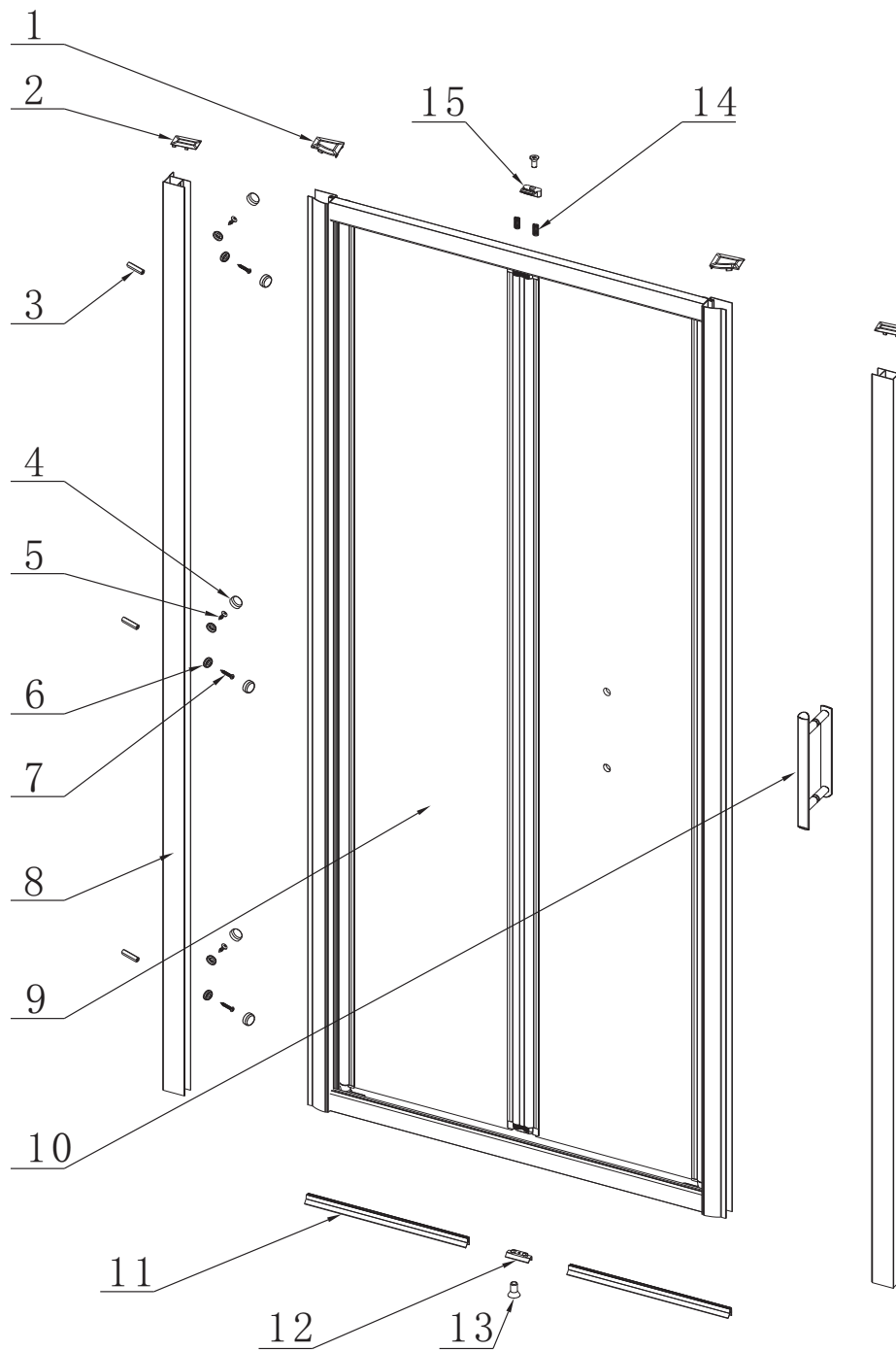
The wall plugs supplied with the installation kit are for use in solid walls. Hollow or 'stud-partition' walls will require alternative fixings. Please consult a hardware supplier for the correct type.

It may also be necessary to consult your tiling supplier about the correct method for drilling your tiles.

### USE SAFETY EYEWEAR WHEN DRILLING

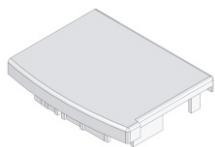
Any parts missing or damaged must be reported to your supplier within 5 days of purchase. Inspect shower enclosure before fitting. No claims will be acceptable after product has been installed.



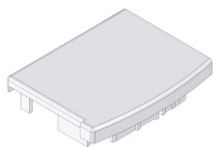


No.	Description	QTY	Part No.	No.	Description	QTY	Part No.
1	Top cover cap L/R	2	V2101L/R	9	Shower room	1	A
2	Cover cap for wall profile	2	V2104	10	Handle	1	S6HDLE
3	6X30 wall plug	6	V6113	11	Water bottom seal	2	V6LC8441378
4	Screw cover cap	12	V2115	12	Pivot water piece	1	V6LP 8702
5	B head screw ST4X12	6	V4110	13	Countersunk screw M6X12	2	V6M612
6	Screw cover cap clip	12	V2114	14	Adjusting spring	2	V6LW 8683
7	B head screw ST4X30	6	V4111	15	Top fixing clip	1	V6LP 8686
8	Wall profile	2	SP0S6S01				

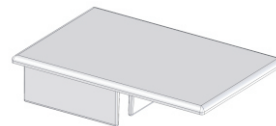
**Note:** Further part details for fixing kit available on page 2



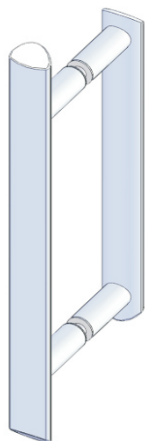
V2101L  
X1



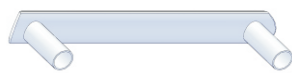
V2101R  
X1



V2104  
X2



S6HDLE  
X1



S6HDLEP1 X1



S6HDLEP2 X1



S6HDLEP3 X2



S6HDLEP4 X2



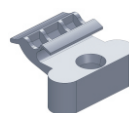
S6HDLEP5 X4



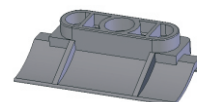
S6HDLEP6 X2



S6HDLEP7 X1



V6LP 8686  
X1



V6LP 8702  
X1



V6LW 8683  
X2



V2115  
X12



V2114  
X12



V6113  
X6



V6115  
X1



V4111  
X6



V4110  
X6



V6M612  
X2

## Tools Required

- 6mm masonry drill bit
- Spanner
- Power drill
- Quality Silicone
- Pencil
- Tape Measure
- #2 Philips Head screw driver
- Spirit level with horizontal and vertical level indicators

## IMPORTANT - Installation site

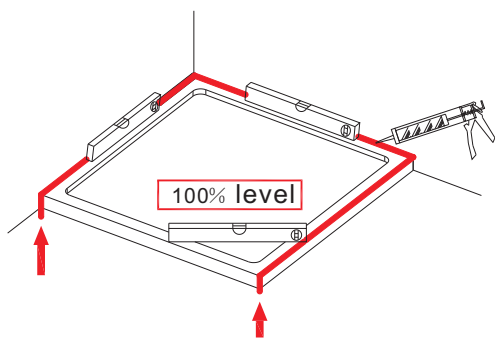
1. Ensure the top surface of the shower tray on which the enclosure will be installed is level in every direction.
2. The tiles or other wall finishing should be effectively sealed at the tray edges.
3. Tiles should extend at least to the corners of the tray and a minimum of 2.0 metres from the top of the tray.

## PROCEDURE

### TRAY MUST BE 100% LEVEL IN ALL DIRECTIONS

Ensure the shower tray is level in all directions and is properly sealed to the wall. The wall must be tiled down to the top edge of the tray. **Do not angle out bottom tile.**

### TRAY MUST BE SEALED FULLY AROUND WHERE THE TRAY MEETS THE WALL.

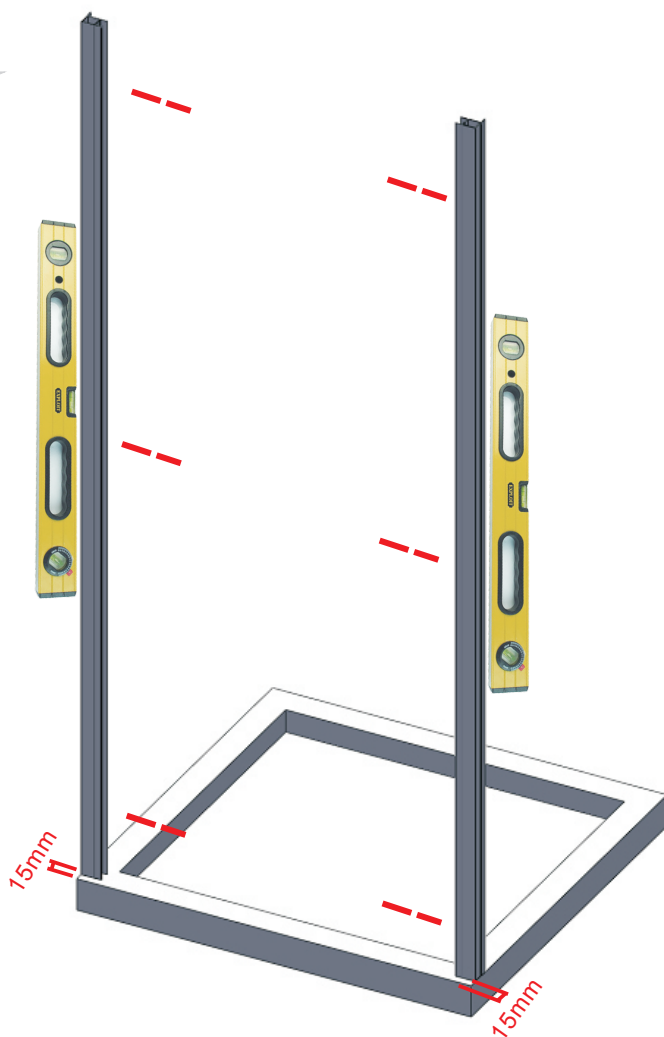
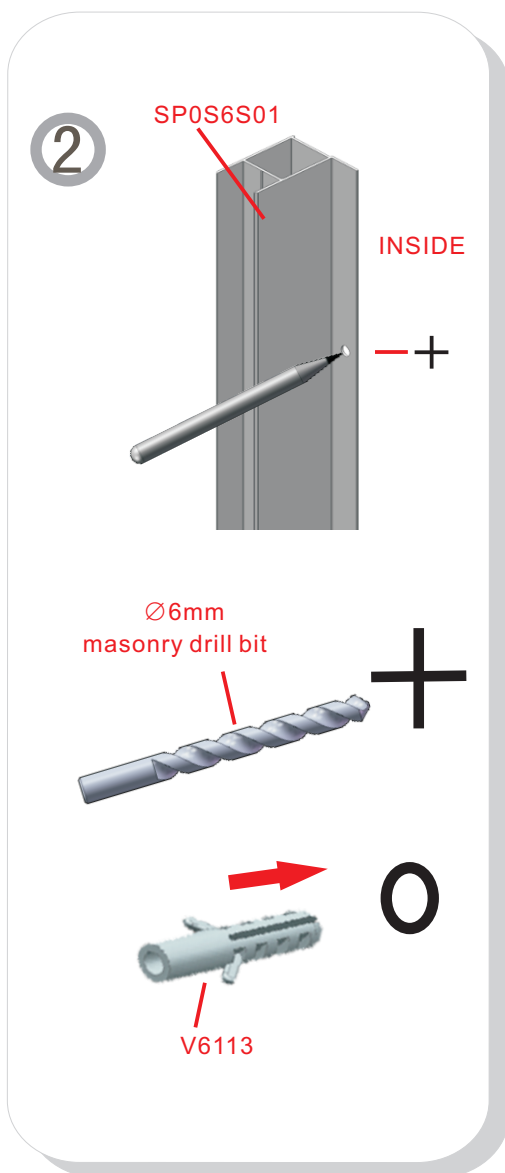


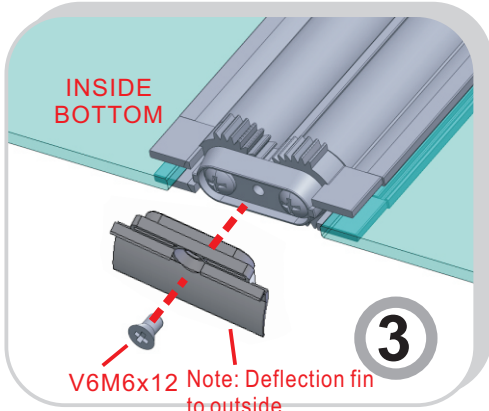
### Step 1.

Step in wall profile 20mm from the front edge of the shower tray. Ensure wall profile plumb  
**Do not silicone behind wall profile to wall, see sealing section.**

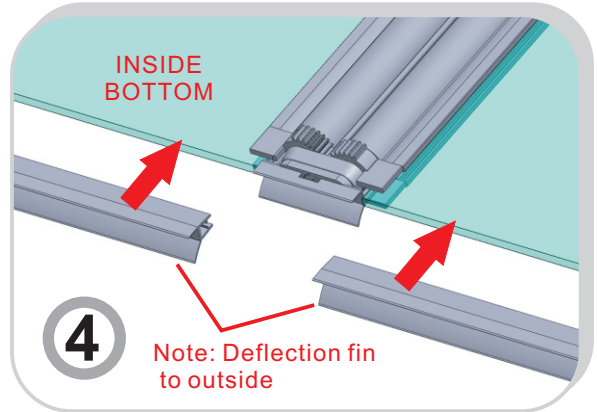
### Step 2.

Mark the position for fixing the wall profile to wall. (Do not fix the wall profile yet)

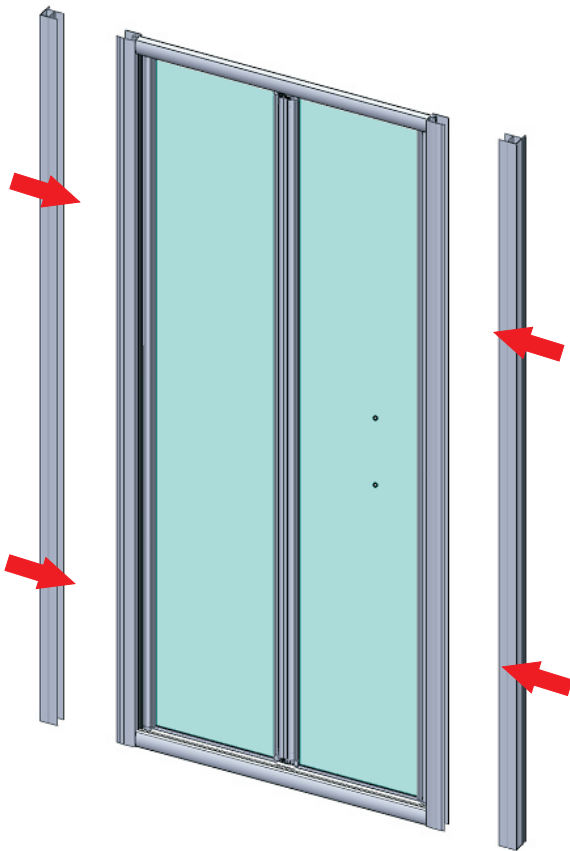




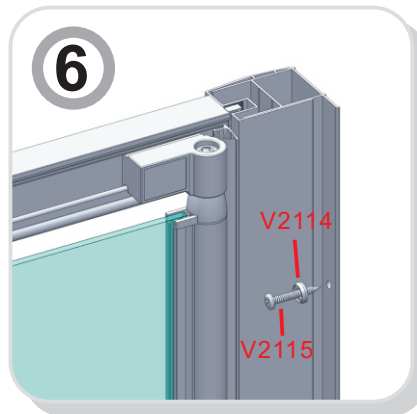
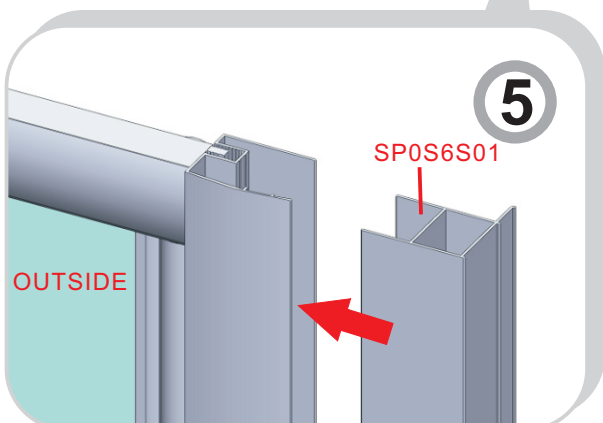
**Step 3.**  
Fit the pivot water piece, ensure the direction is as picture shows.



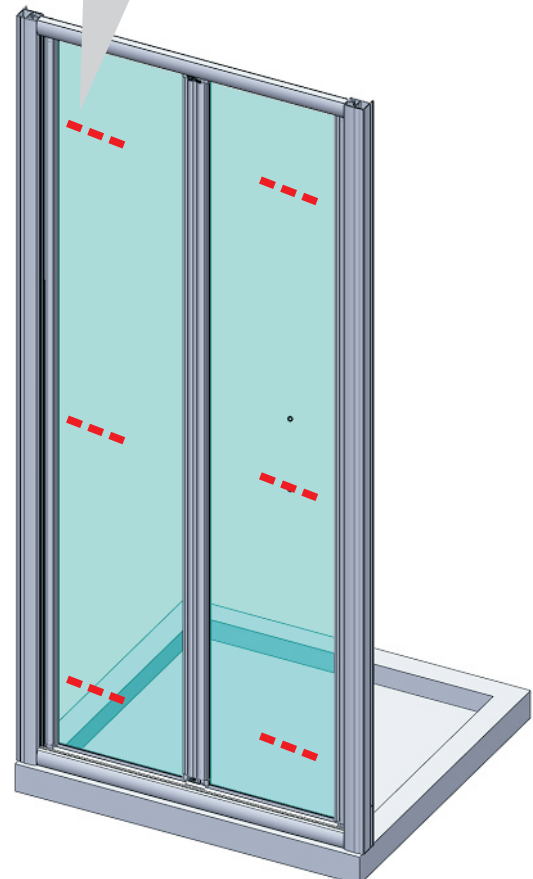
**Step 4.**  
Fit the bottom water seal, ensure the direction is as picture shows.



**Step 5.**  
Fit the wall profiles to the assembled frame.

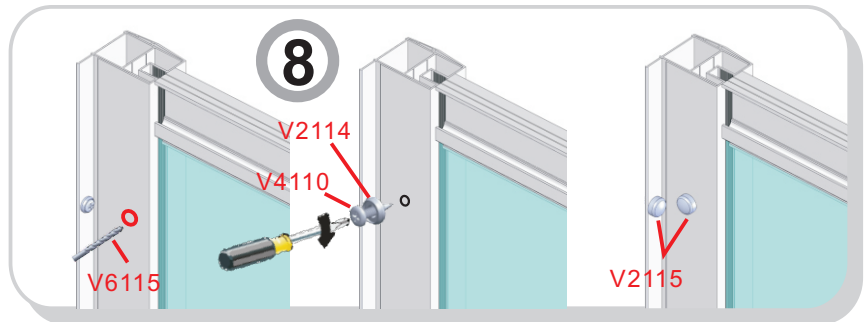
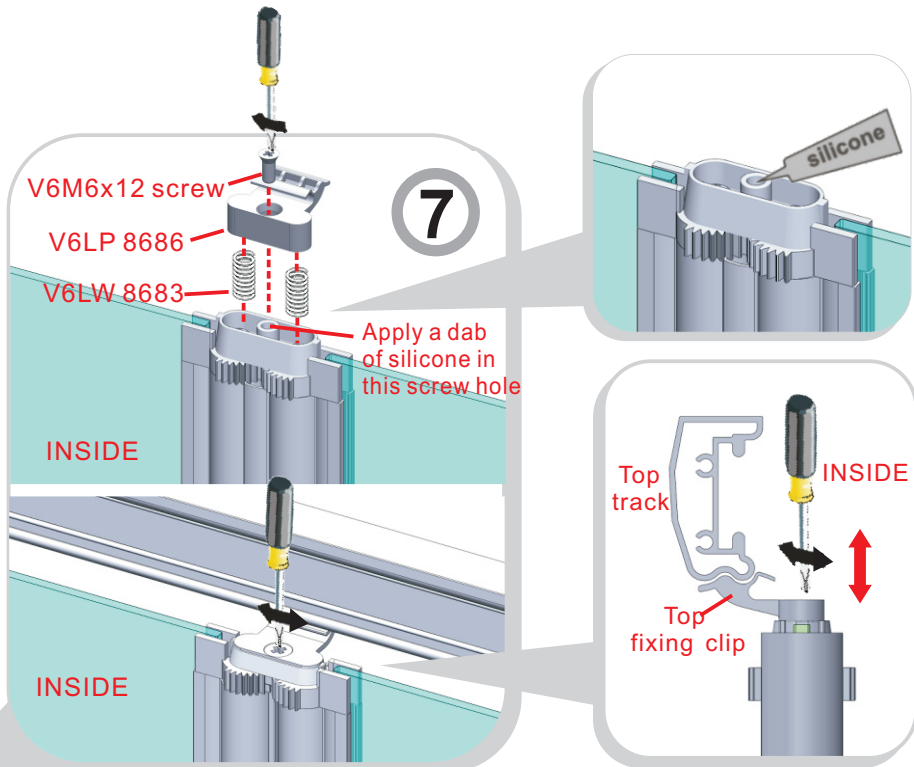


**Step 6.**  
Position the assembled frame onto the shower tray, and fix the frame to the marked position on wall using **V2114** with **V2115** screw.

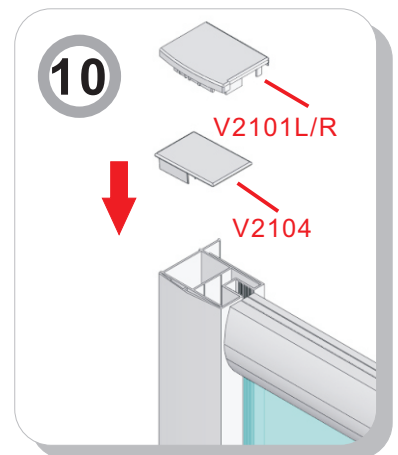
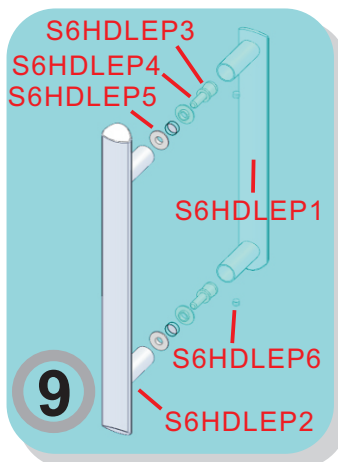
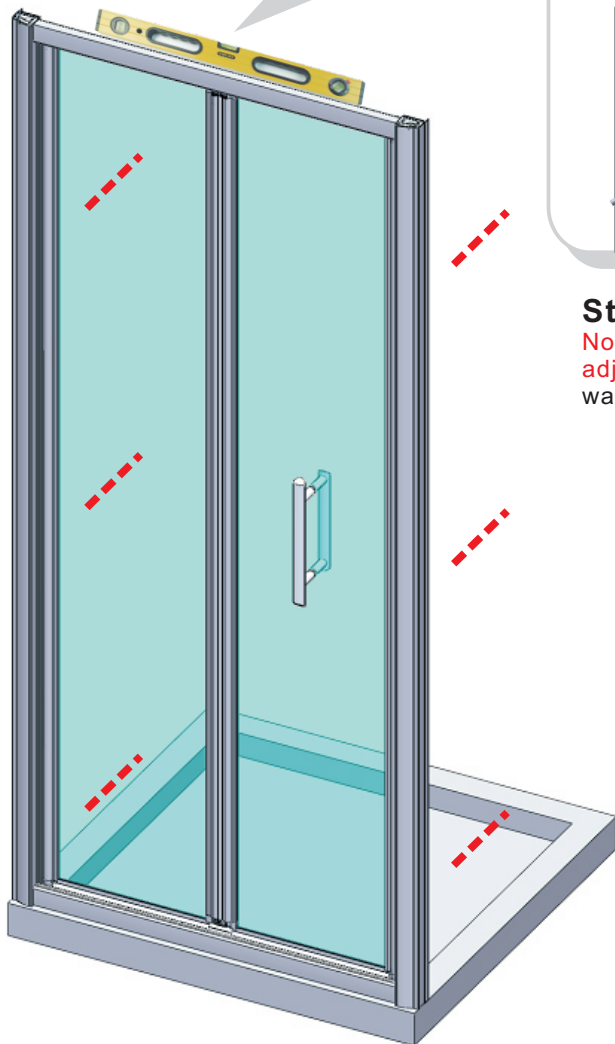


Note: This door is designed to be opened out in an **emergency only**. This may result in the clip breaking. A replacement part may be required, contact Merlyn to purchase.

**Step 7.**  
Fix the top fixing clip, then turn the screw M6x12 using phillips screwdriver to adjust the clip to suitable height.



**Step 8.**  
Note: Before drilling ensure doors open and close smoothly. If not adjust the frame in the wall profiles. Drill through upright and wall profile in 3 places top to bottom as shown.



## Step 11.

Use a quality silicone sealant and applicator gun to seal the finished door.

### SEALING INSIDE

Seal top to bottom on the **INSIDE** between the wall profile and the wall.

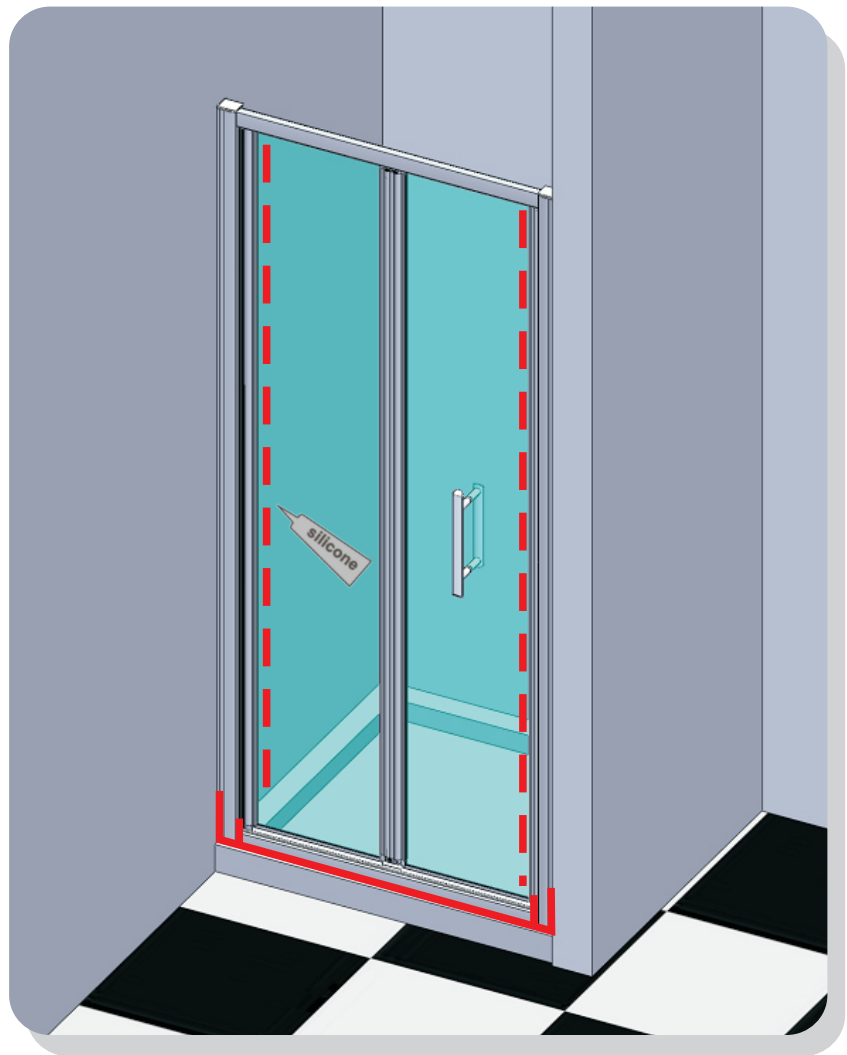
**Note:** Do not apply sealant on the inside of the tray.

### SEALING OUTSIDE

Seal only along bottom on the **OUTSIDE** between glass/rail/profile and the tray and approx 50mm up between the wall profile and the wall. Seal joint between bottom profile and upright profile.



**DO NOT**  
use the  
enclosure  
for 24 hrs



## TROUBLE SHOOTING GUIDE

### DOOR NOT ALIGNING

1. Is the tray 100% level? (see page 3)
2. Have the walls been checked at different levels to ensure consistency?
3. Are the wall profiles stepped in 15mm from the edge of the tray? (see step 1,2)
4. Do the finished tile measurements on the tray comply with the adjustment listed on the label and in the specifications book?
6. Is the top rail level? (see step 8)
7. Has the door been adjusted correctly to ensure a smooth rolling action. (see step 8).
8. Is the top fixing clip adjusted so the door is closing correctly on the top frame. (see step 7).

### DOOR LEAKING

1. Is the seal fitted? (see step 6)
2. Is the door sealed correctly? (see step 8)