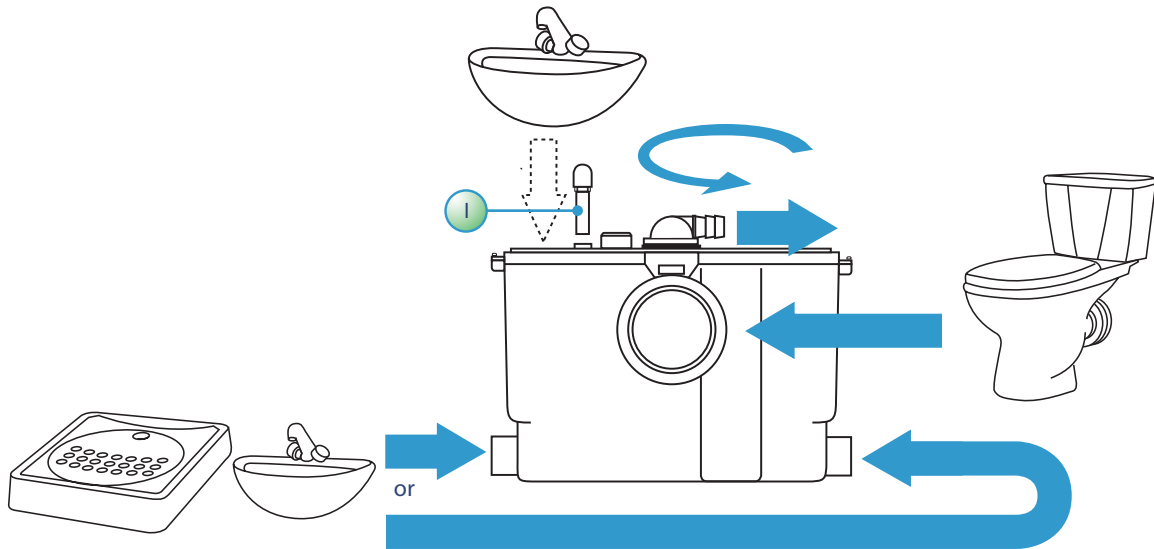


1. Description



This unit is a compact pump/macerator specially designed to take the waste from a wall hung or back to wall WC pan. It will pump away the waste from one WC, one washbasin, one shower and one bidet.

Warning: Do not use this unit with a shower discharging at more than 15 litres per minute.

Please pay particular attention to the following:



Possible danger to personnel



Warning of possible electrical hazard

Please also see "10 golden rules" for correct Saniflo installation on www.saniflo.co.uk

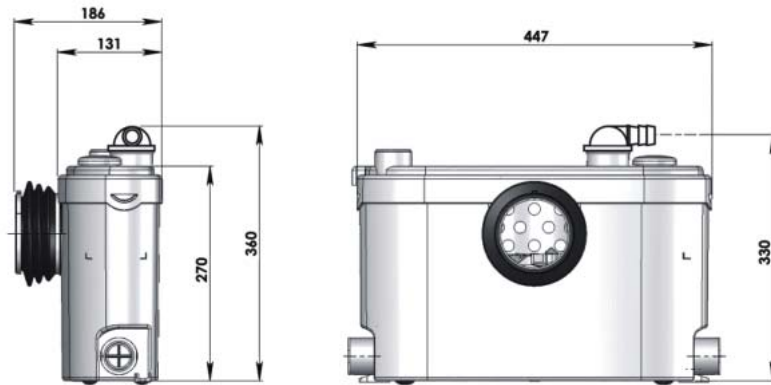
"ATTENTION" This is a general warning that failure to follow instructions could result in poor functioning of the unit.

This equipment benefits from the latest technological innovations concerning soundproofing. To benefit fully from the advantages provided by this new generation of appliances, it is important to comply with the installation instructions from section 6.

2. List of Accessories included

<p>A x2</p> <p>Rubber connector</p>	<p>B x5</p> <p>32 x 50</p> <p>Hose clip</p>	<p>D x2</p> <p>Blanking off inlet cap</p>	<p>E x1</p> <p>Adaptor</p>
<p>F x1</p> <p>Elbow</p>	<p>G x1</p> <p>Discharge hose</p>	<p>H x2</p> <p>20 x 32</p> <p>Hose clip</p>	<p>I x1</p> <p>Air inlet pipe plus cap</p>
<p>J x1</p> <p>90 x 110</p> <p>Hose clip</p>	<p>K x1</p> <p>Optional Euro 20-32mm Reducer</p>		

3. Dimensions and overall measurements



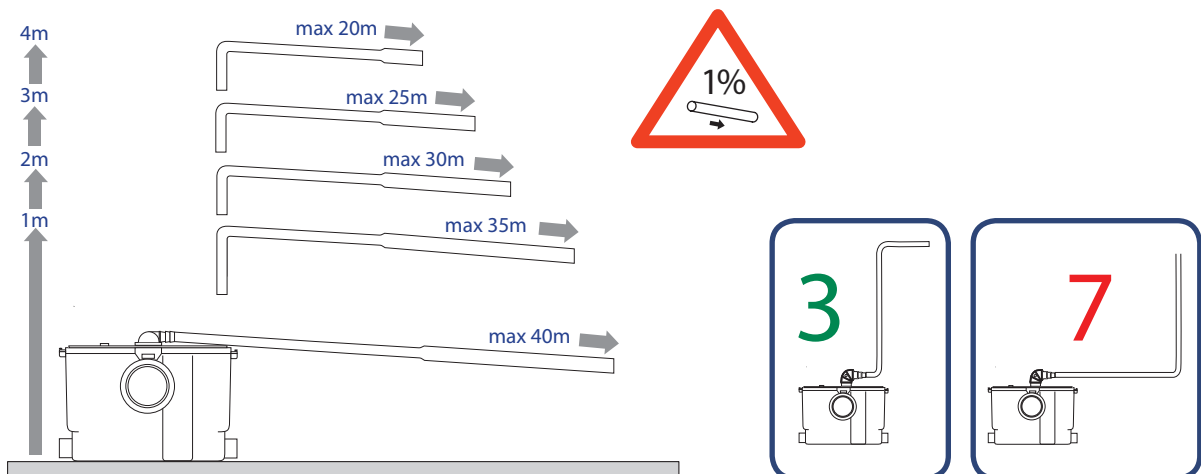
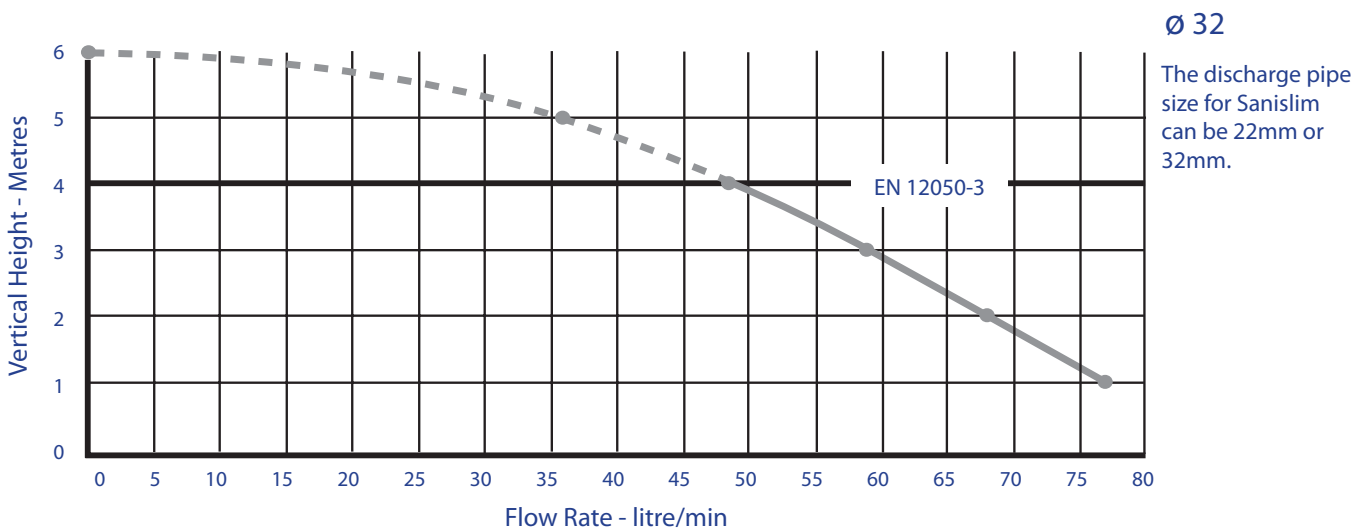
This pump/macerator has been designed to pump away the waste from a WC and the sanitary appliances in section 1.

This unit is for domestic use only.

Installed and used correctly, this unit will give consistent and reliable service.

You can find the technical data in section 5.

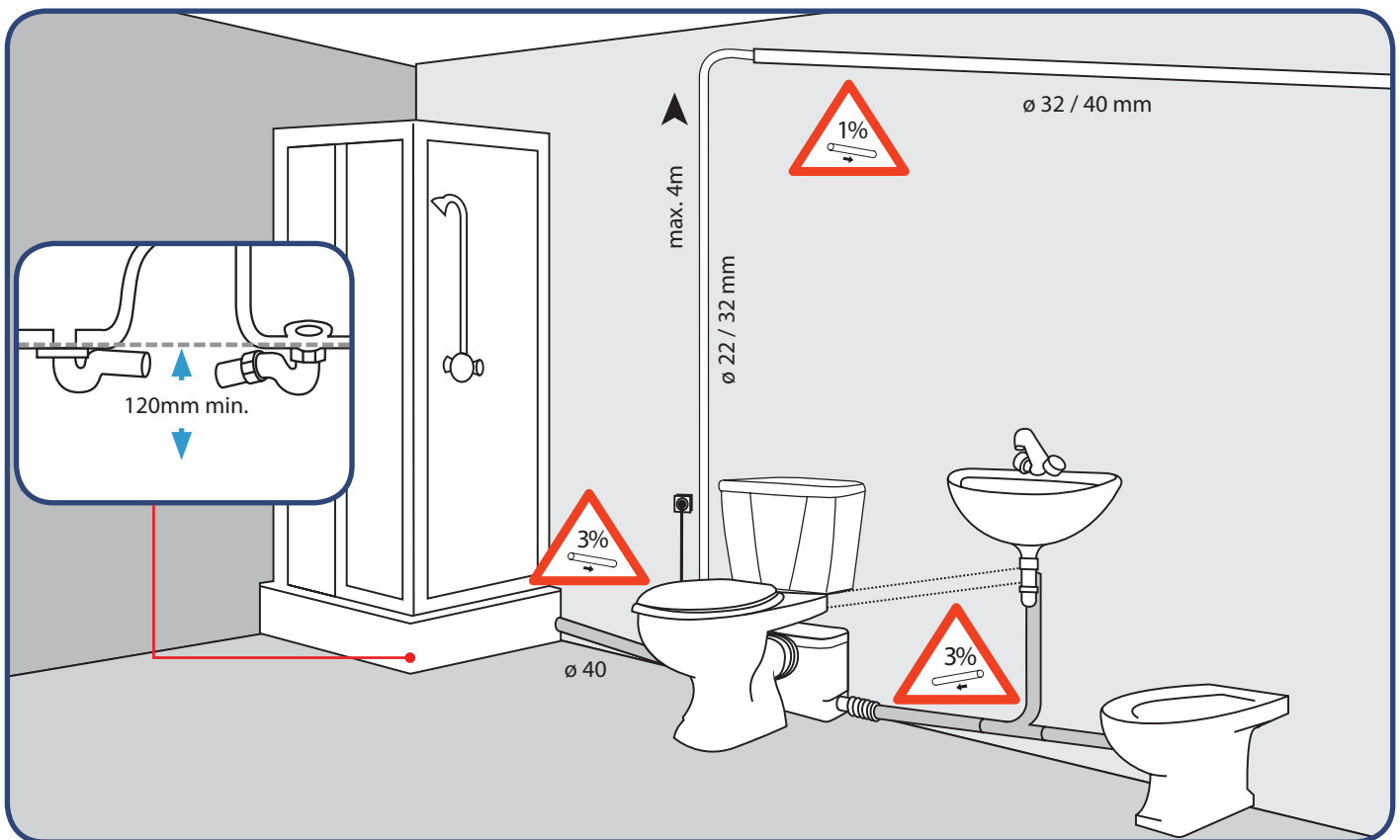
4. Performance Curve & Height and Length of the discharge pipe



5. Technical Data

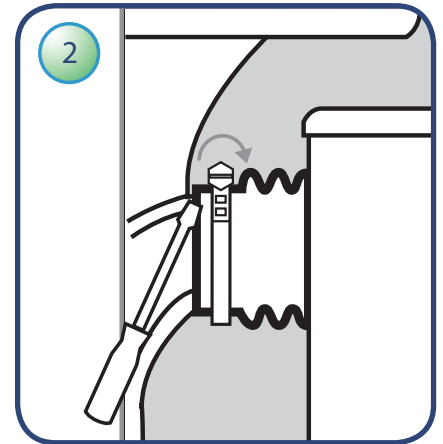
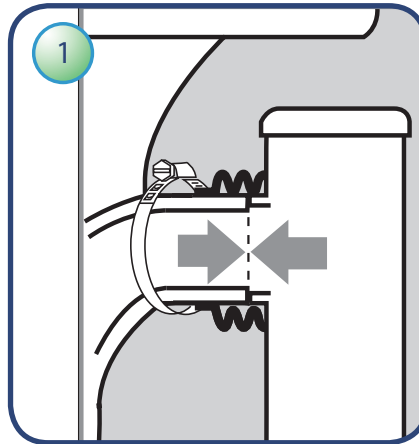
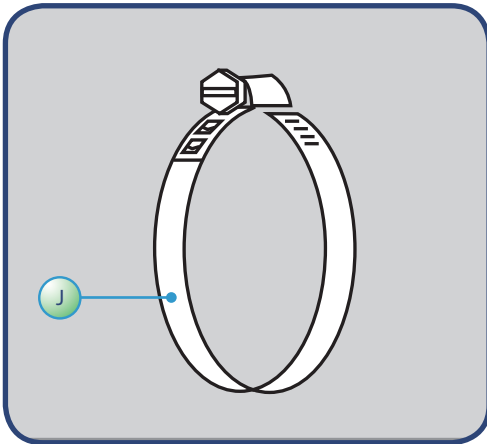
Application	1 WC + Washbasin + Shower
Maximum Vertical Pumping	4m
Maximum Horizontal Pumping	40m
Normal Power Rating	400 W
Electric Class	I
Type	K70
Degree of protection	IP44
Net Weight	4,8 KG

6. Installation



This unit must be connected to WC pan with a horizontal outlet spigot. The unit should be accessible for possible service. The unit should be installed by a qualified person.

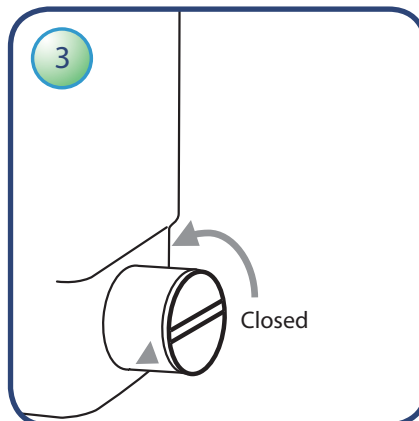
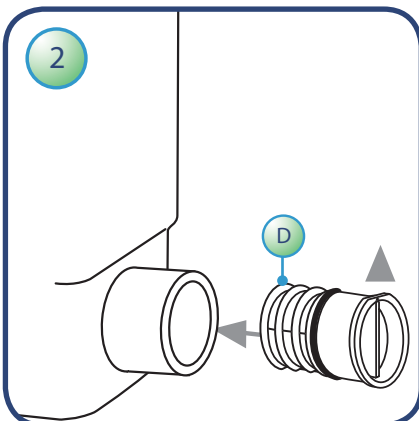
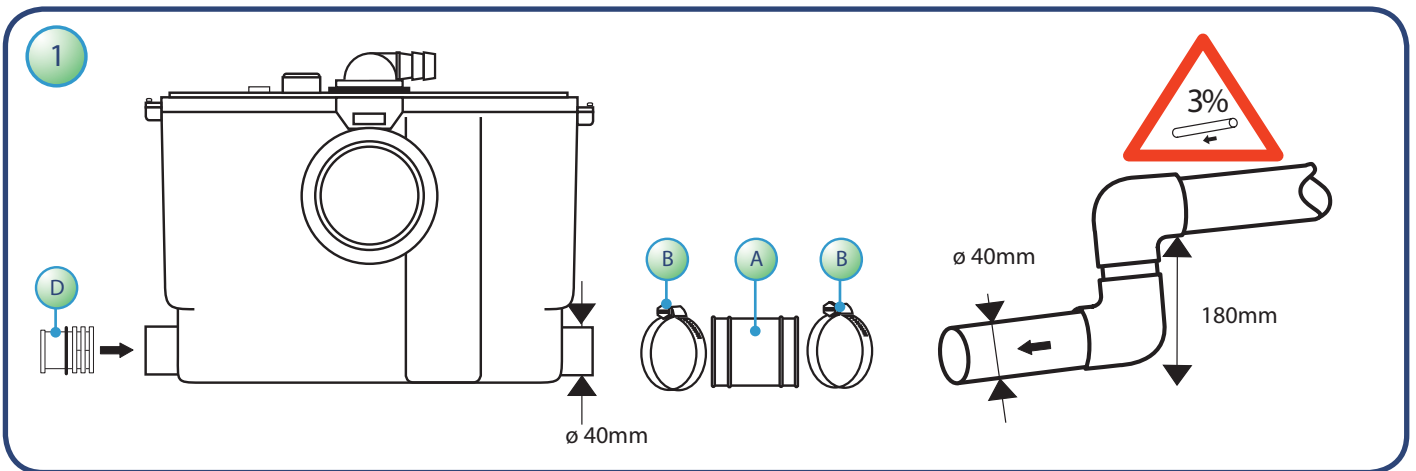
7. Connection to a WC



- Pull the flexible sleeve over the pan spigot (1).
- Position the metal hose clip over the edge of the flexible sleeve, and tighten with a screwdriver (2).

WARNING: This unit must always be connected to a WC.

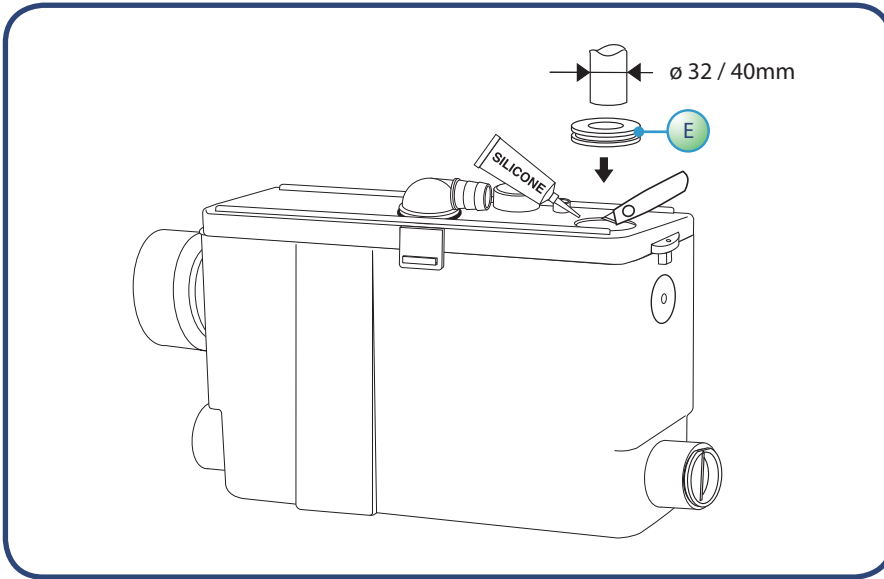
8. Connection to Shower Inlets (Shower and Washbasin)



- To make the connection to the side inlets, use rubber connector (A). Secure it with metal hose clips (B).
- Cap off unused inlets with plugs (pre-grease the joint before fitting) (2&3).

Warning: When fitting a shower, ensure that the underside of the tray is at least 12cm above floor level (recommended fall: 3%).

9. Connection of a Washbasin



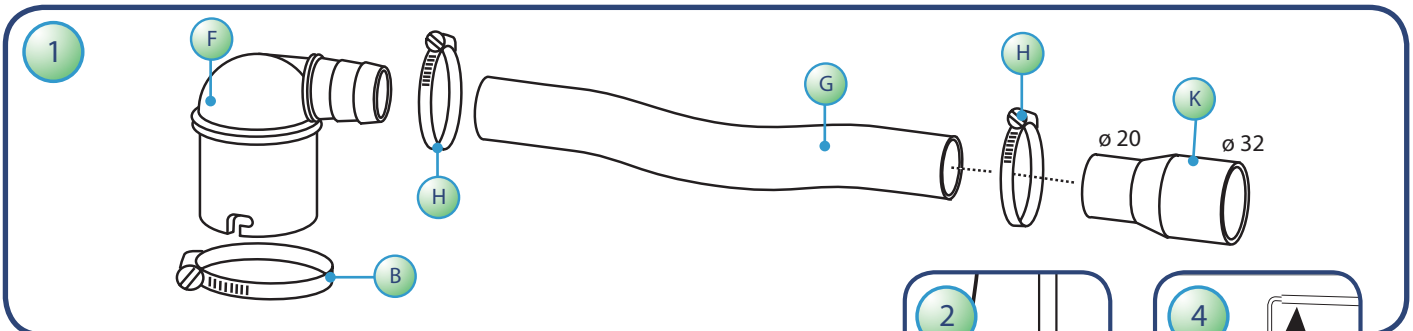
The washbasin can be connected in two ways. It can be connected to one of the side inlets (see section 8).

Another possibility is to connect the washbasin to the inlet on the lid (the premarked opening has to be cut out).

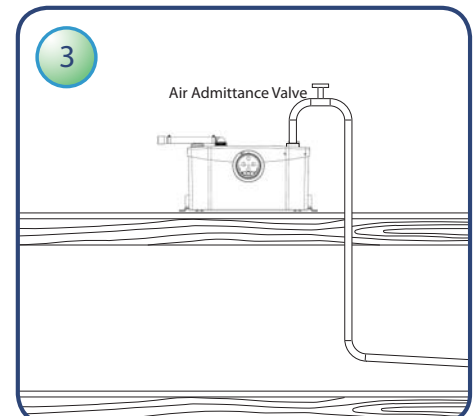
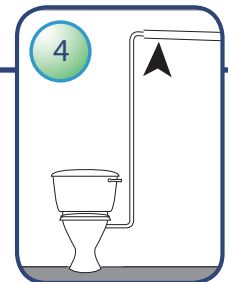
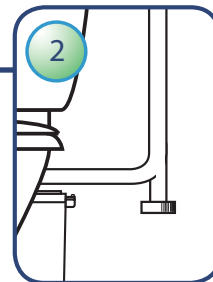
- Use a suitable cutter to make the opening in the lid.
- There is a ridge where the hole has been partially pre-cut. Cut the hole with care, and de-burr it, use silicone sealant to avoid leaks when adapter is fitted.
- Insert the adapter (E) into the lid.
- Slide the washbasin waste pipe into the adapter (it will accept 32mm or 40mm pipe). Push the pipe in by 3 to 4cm.

10. Connection of the Discharge Pipe

Note: Diagram 3 shows the Saniplus and not the Sanislim as an example only.



- Turn the non-return elbow clockwise to the direction required.
- Fit the elbow (F) to the rubber outlet and secure with metal hose clip (B).
- Connect the end of the 20/26 discharge hose (G) to the elbow and the other end to 22mm copper or rigid UPVC pipe and secure with metal hose clips (H).
- The discharge hose allows connection to the rigid drain pipe (22/23) without creating vibration. The curve of this pipe must be kept to a minimum in order to avoid the risk of kinking.
- We recommend the installation of a drain-off point in order to allow the discharge pipework to be drained down before any service work (fig 2).
- If the discharge pipework runs to a level considerably lower than the unit, the resultant syphoning effect can suck out the water seal in the unit. Fitting an air admittance valve capable of taking around 10psi pressure (BBA approved) at the high point of the pipe run will overcome this problem (fig 3).
- Horizontal pipe runs must have a minimum fall of 1:100 (10mm per metre) to the soil stack. If a vertical lift is required, it must be made at the start of the piperun (fig 4).



Warning: Use smooth pulled bends for discharge pipework, or 2 x 45° bends in series. Do not use 90 degree elbows.

11. Electrical connection



The electrical installation should be carried out by a qualified person.

All wiring must conform to BS7671, 1992 requirements for electrical installations. The Sanislim requires a 220/240V single phase AC 50 Hz supply (UK specification). Do not connect the Sanislim to a conventional plug and socket. It must be wired into a fused, unswitched, fixed wiring connector fitted with a 5 amp fuse. The Sanislim has an earth wire. The wires in the mains lead are coloured in accordance with the following code:

Brown – Live Blue – Neutral Green/Yellow – Earth

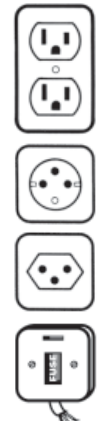
Warning: Ensure the electricity is turned OFF at the main switchboard before wiring to connector.

All work on cable, pressure chamber and motor should only be carried out by a qualified Saniflo servicing agent, as special tools are required.

UK – 230/240V 50Hz.

The unit should be installed so it is easily accessible/removable for possible maintenance.

The unit should not be exposed to splashing in normal use.



CANADA
USA

EUR

CH

GB

12. Norms

This appliance conforms to EN 12050-3.

Lifting plant for waste water containing faecal matter for limited applications and the European directives and standards concerning electrical safety and electromagnetic compatibility.

SANISLIM®

Société Française d'Assainissement

EN 12050-3

LA03-p30

220 - 240 V - 50 Hz - 400 W - IP44 1,9A - $\frac{1}{2}$ - 6,5 KG



13. Commissioning the unit

Once all electrical and plumbing connections have been checked, flush the WC. To check that all connections are watertight, run the WC, shower, washbasin, one after the other for a few minutes to represent normal usage. Ensure there are no leaks. The motor of Sanislim should operate for no more than 10 to 20 seconds when flushing the WC, depending on the height and length of the discharge pipework. It may run in several shorter bursts. If it runs for more than 25 seconds, check that the discharge pipe is not kinked or blocked.

Warning: There should be no dripping of water from the WC cistern or taps. Otherwise, this will cause the unit to activate repeatedly as it pumps the water away.

14. Usage and Warning

The Sanislim will pump away the waste from a domestic WC, washbasin, shower and bidet. It is not suitable for heavy commercial/industrial applications. A WC fitted with Sanislim does not require any special maintenance. The Sanislim will operate automatically as soon as the required level of water enters the case.

Warning: If the Sanislim runs with hot water for a prolonged time, the thermal cut out device will stop the motor from operating. In this case, it will take approximately one hour for the motor and water to cool down, after which it will automatically re-activate.

Warning: The Sanislim should only be used for the evacuation of normal human waste, toilet paper and household WC cleansers.

Damage may occur to the machine if the following are disposed of in the WC:

Cotton wool, tampons, sanitary towels, condoms, wet wipes, kitchen towels as well as other fabric or hard items. A build-up of hair can cause problems, so a hair trap should be fitted to a shower. Finally, solvents, acids and other chemicals can also damage the unit, and will invalidate the warranty.

15. Care of your unit

In order to remove scale and clean the macerator and the bowl, use a household descaler (like SANIFLO descaler). As a general rule, household disinfectants and bleaches designed for a normal WC are suitable for use with a Saniflo unit.

- Disconnect the macerator power supply.
- Pour an amount of descaler / bleach in the pan.
- Flush the WC once.
- Leave it to stand for 1 or 2 hours.
- Re-connect the macerator power supply.
- Rinse by operating the flushing system twice.

Carry out the operation once every 3 months on average, but the frequency may need to be changed depending on the hardness of the water.

16. Maintenance



DISCONNECT THE ELECTRICAL POWER SUPPLY, BEFORE ATTEMPTING ANY WORK ON THE UNIT.

The Sanislim does not require any particular maintenance. Any service work on the unit should be carried out by a registered Saniflo engineer. This is particularly important if changing the electrical cable is involved. ☒

17. Fault Finding / Remedies

For the most part, any inconsistencies in the operation of the unit will be minor and easily rectified. Please refer to the chart below.



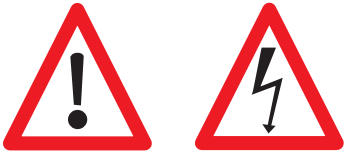
IN ALL CASES, YOU MUST DISCONNECT THE MACERATOR FROM THE POWER SUPPLY

If the problem cannot be easily remedied in this way, please call our Service organisation.

ALL WORK INVOLVING DISMANTLING OF THE APPLIANCE MUST BE CARRIED OUT BY AN APPROVED REPAIR AGENT


SYMPTOMS	PROBABLE CAUSES	REMEDIES
<ul style="list-style-type: none"> • The unit stops 	<ul style="list-style-type: none"> • An object is blocking the blades • The unit has been running for too long and the (self re-setting) thermal cut out has engaged 	<ul style="list-style-type: none"> • Call approved service engineer. • The unit will reset itself
<ul style="list-style-type: none"> • The motor intermittently activates 	<ul style="list-style-type: none"> • The connected sanitary devices are dripping • The non-return valve is faulty 	<ul style="list-style-type: none"> • Check the installation upstream • Clean or replace the non-return valve (externally mounted)
<ul style="list-style-type: none"> • The water in the WC pan goes down very slowly and is pumped away in bursts 	<ul style="list-style-type: none"> • The air vent (under carbon filter) is clogged up • The WC pan is partially blocked 	<ul style="list-style-type: none"> • Clear the air vent • Clear pan
<ul style="list-style-type: none"> • The motor operates normally, but continues to run for a long time 	<ul style="list-style-type: none"> • The length or height of the installation is over the specification, or there are too many bends/elbows • The pump chamber is blocked 	<ul style="list-style-type: none"> • Check the installation • Call approved service engineer
<ul style="list-style-type: none"> • The motor does not activate 	<ul style="list-style-type: none"> • The electrical power supply is not active • The motor or the control system is defective 	<ul style="list-style-type: none"> • Restore the electrical supply • Call approved service engineer
<ul style="list-style-type: none"> • The motor emits a rattling or crunching sound, hums, but does not run 	<ul style="list-style-type: none"> • Foreign object in the box • Problem with the motor or the control system 	<ul style="list-style-type: none"> • Call approved service engineer
<ul style="list-style-type: none"> • Cloudy water comes up into the shower tray (units with side inlets) 	<ul style="list-style-type: none"> • Shower installed too low as compared with the macerator unit • Hinged side inlet discs clogged up 	<ul style="list-style-type: none"> • Check the installation • Clean the hinged discs (see section 18) • Call approved service engineer

18. Removal



DISCONNECT THE ELECTRICAL POWER SUPPLY BEFORE ANY SERVICE

REMOVING THE UNIT FROM THE WC SUITE

-  **1** Disconnect the electrical power supply.
- 2** Turn off the water feed to the WC cistern. Bail out as much water as possible from the cistern.
- 3** Drain down any vertical discharge pipework and remove discharge hose from elbow.
- 4** Disconnect any inlet pipes from the unit.
- 5** Unscrew the 2 fastening screws (to the floor) if fitted.
- 6** Loosen the metal clip securing the flexible connector and pull off the WC spigot, now slide the unit out from behind the WC.

HINGED SIDE INLET VALVES CLOGGED

Remove the sleeves and use a screwdriver to free or clean the rubber flaps if necessary.

19. Guarantee

2 years guarantee as from its date of purchase subject to correct installation and correct use.

20. Parts

