























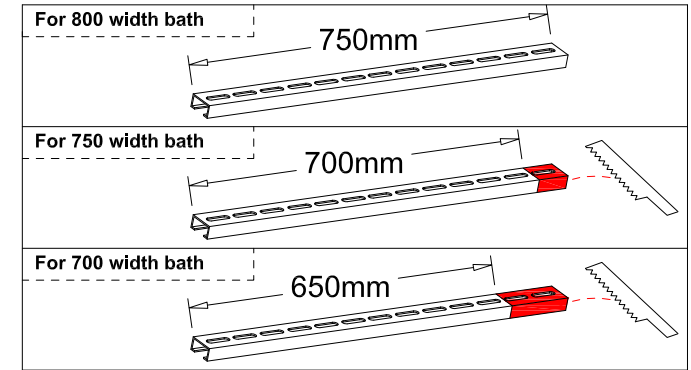
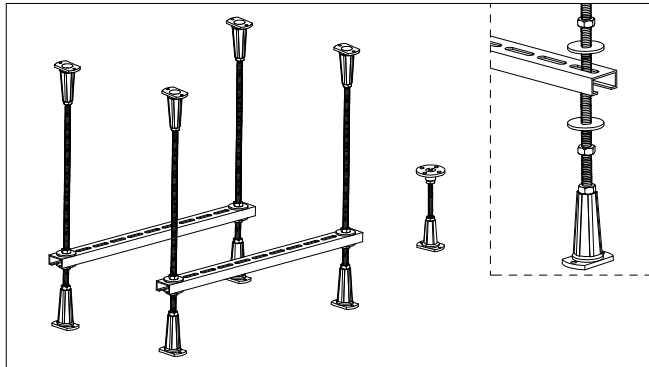
					2x
					4x
					1x 9x 1x 4x 4x
					18x ST5 *16mm 22x 8x 6x 4x

1: Check that all fittings have been supplied.

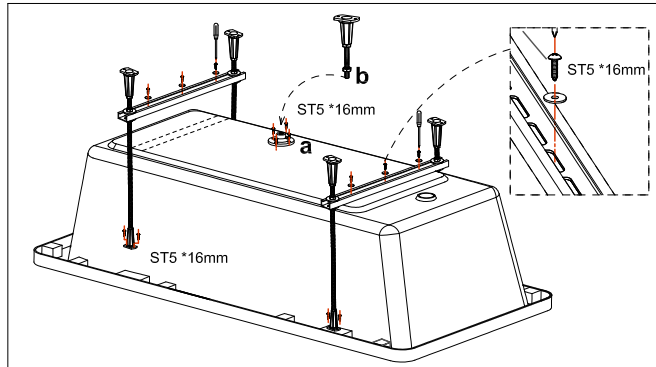
For all baths except Viride baths.			For Viride baths only.		
					
1x	1x		1x		
					
6x	4x	4x	6x	2x	2x
					
ST4 *20mm 16x		4x	ST4 *20mm 14x		2x



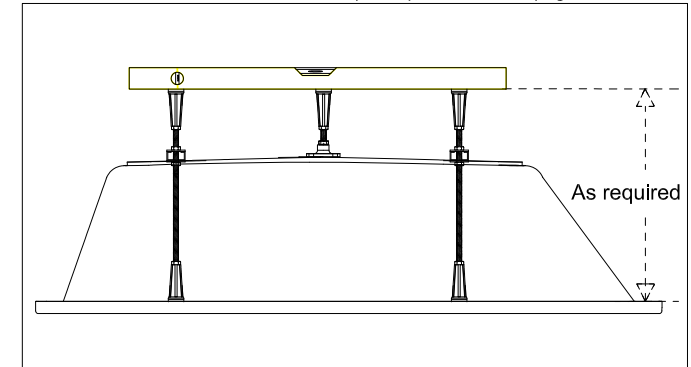
2: Depending on the width of the bath, cut the brackets accordingly. For Ecocurve, Ecoround and Ecosquare, please refer to page 3.



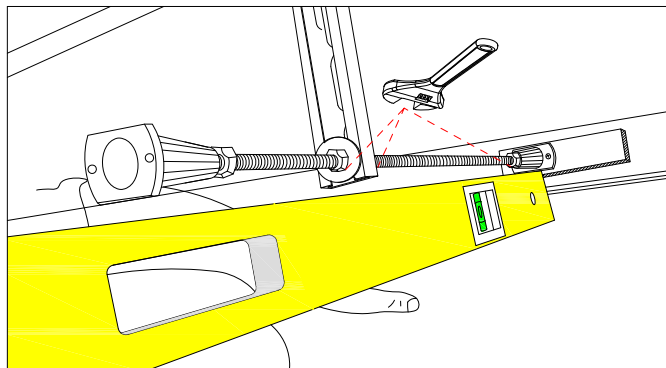
3: Assemble the brackets, nuts, washers, and bar. Only hand tighten the nuts.



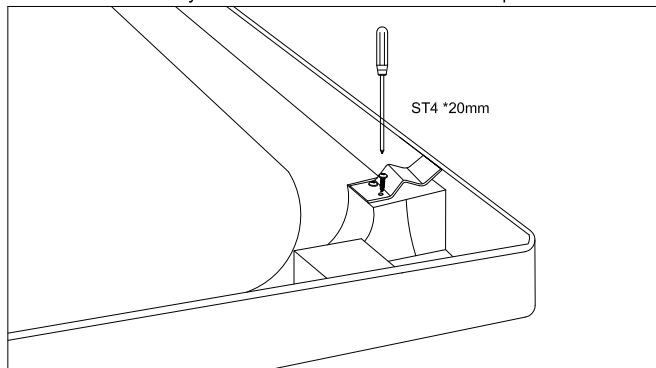
4: With the bath upside down on a protective matt, attach the frame as indicated by dotted line and the blocks. The leg set in the center can be positioned on the baseboard only as close to the center of the bath as possible.



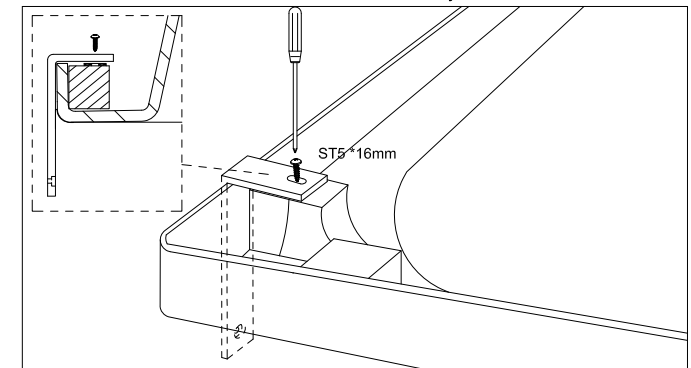
5: Based on the height of the bath panel, adjust the leg sets accordingly, including the leg set in the center. Make sure that all leg sets are at the same level. The thread can be cut if necessary.



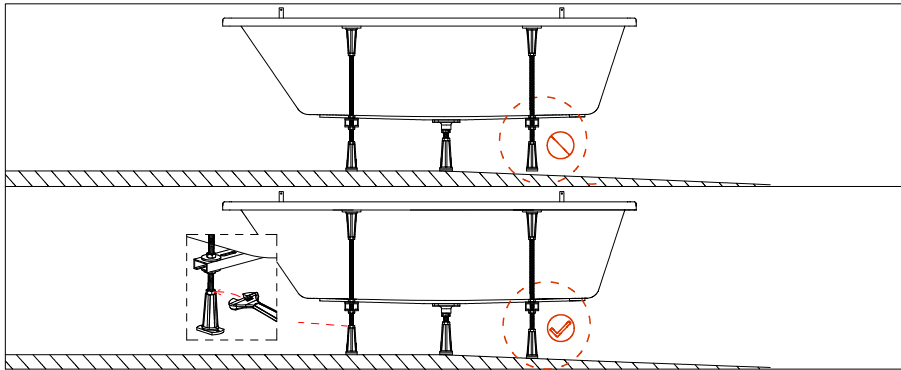
6: Check that the threads are level, and reposition frame accordingly to correct if not. When the threads are level tighten all nuts.



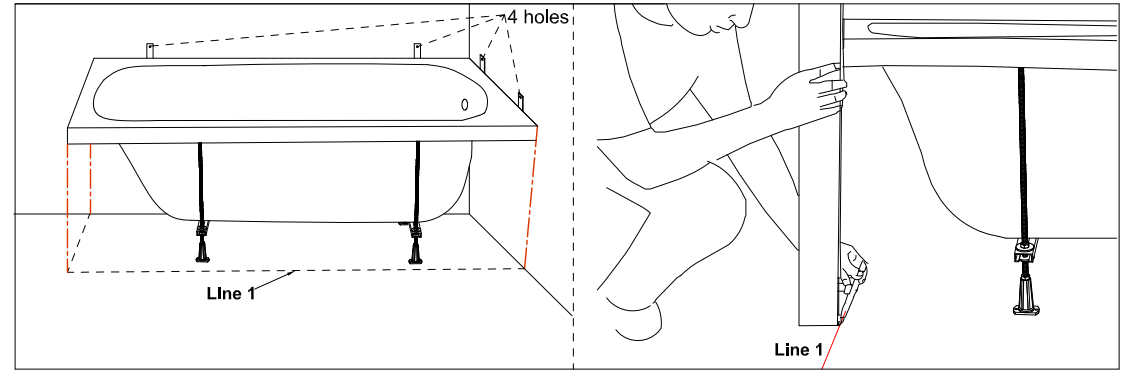
7: Fix the clips (supplied with bath panel) to the blocks on the sides to which the bath panels will be attached.



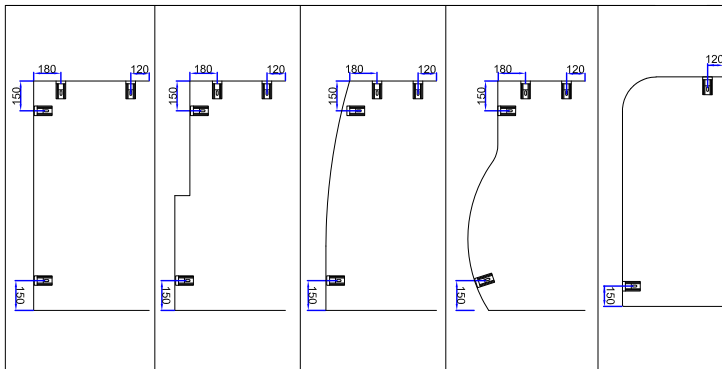
8: Fix the wall brackets (supplied with bath) to the blocks on the sides to be attached to the wall. Use the extra washers between the wall brackets and blocks if necessary.



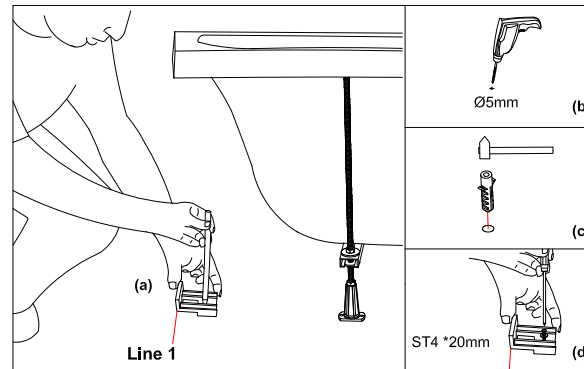
9: Place the bath in position and adjust for level, and determine waste and soil requirements.



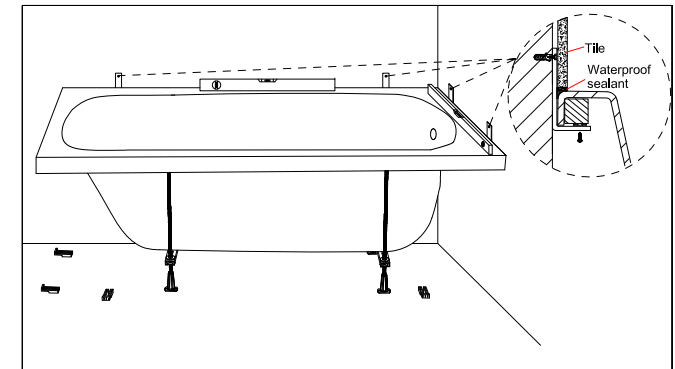
10: Mark the outline of bath and position for the 4 holes.



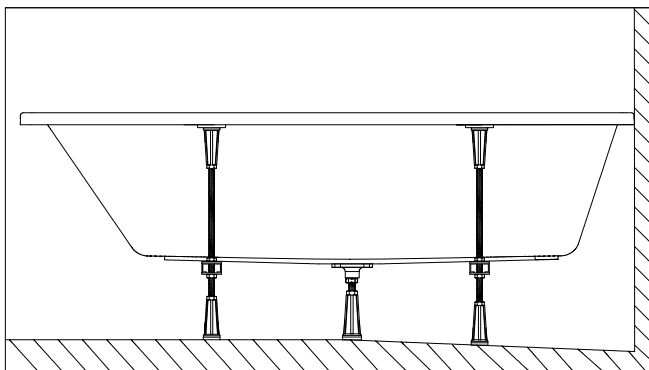
11: As per the shape of each bath, the L brackets are layouted as the diagram above. Note: Dimensions in millimetres.



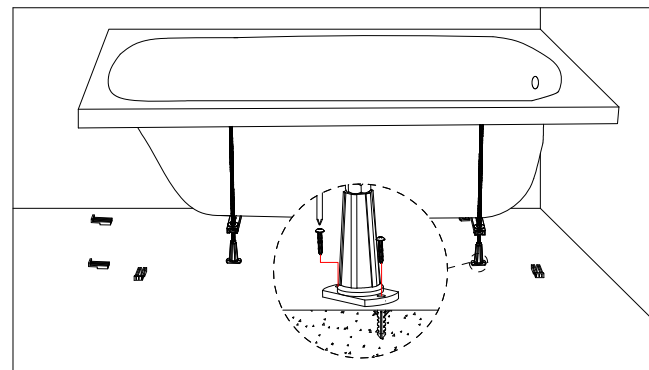
12: Fix the plastic floor L brackets onto the floor as the step above.



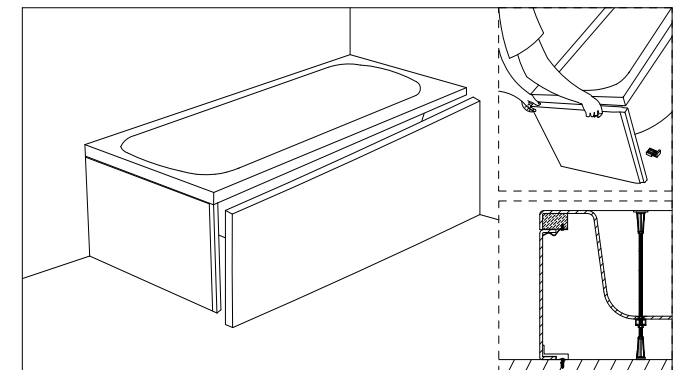
13: Place the bath back into position, fix the wall brackets on the walls and use the waterproof sealant between the bath and tiles.



14: Attach all water and waste connections.

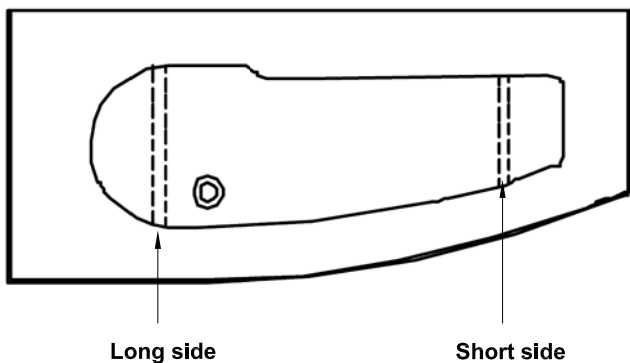


15: It is essential that once the bath is in its final position the bath legs be firmly fixed to and secured to the floor using fixings appropriate for the type of floor surface (such fixing not included)



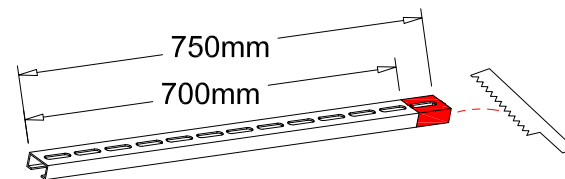
16: Clip the panel into place ensuring it is firmly held in position by the top metal clamps, and the floor L brackets prevent the panel being 'kicked' in.

EcoCurve LH & RH 170cm x 75cm x 50cm

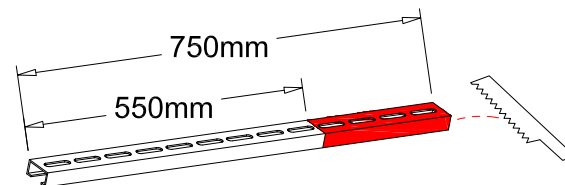


For the EcoCurve, two 750mm frames are supplied.

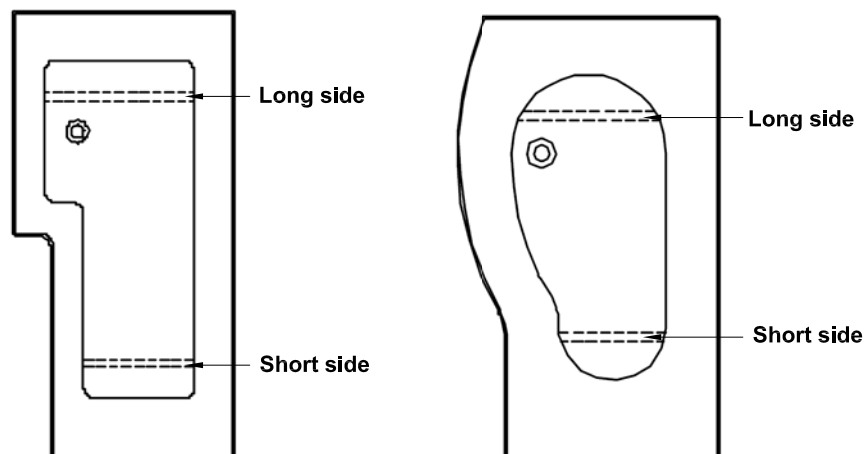
For the long side, the frame should be cut to 700mm.



For the short side, the frame should be cut to 550mm.



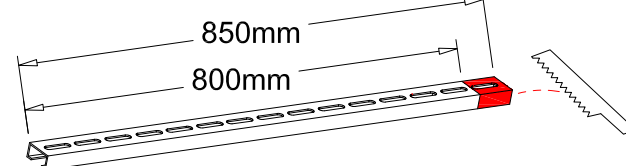
EcoSquare LH & RH 170cm x 85cm x 70cm
EcoRound LH & RH 150cm x 90cm x 74cm
EcoRound LH & RH 170cm x 90cm x 74cm



For the EcoSquare & EcoRound bath, two different frames are supplied (850mm and 700mm).

- EcoRound, the frame supplied can be used directly.
- Ecosquare, please follow below instruction.

For the long side, the frame should be cut to 800mm.



For the short side, the frame should be cut to 650mm.

