



SENSOR

Mono Basin Sensor Tap

Product Code: SENSOR4/D

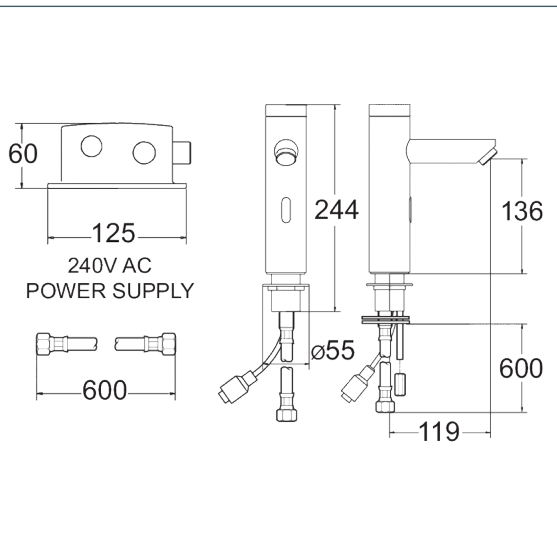
Finish: Chrome

Features

- Construction:** Brass
- Valve/Cartridge type:** Electro Valve
- Supply:** Suitable for high pressure only
- Inlet connections:** 1/2" BSP
- Working pressures:** 0.5 - 5.0 bar
- Suitable for cold or premixed water
 - Moisture and water resistant control unit
 - Minimum pressure required .5 bar
 - Choice of battery or mains power
 - Battery operation requires 4 x AA batteries



*Please refer to website for full warranty details.



Flow (Bar - l/min, open outlet)

Spout/Outlet

Flow 0.1	Flow 0.2	Flow 0.3	Flow 0.5	Flow 1.0	Flow 2.0	Flow 3.0
N/A	N/A	N/A	4.7	5.7	5.7	5.7

Handset/Head

N/A	N/A	N/A	N/A	N/A	N/A	N/A
-----	-----	-----	-----	-----	-----	-----



1304067

