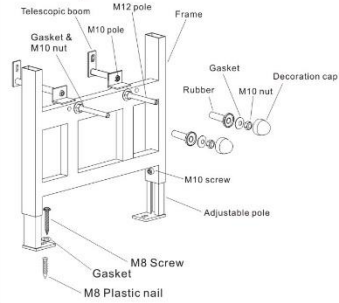
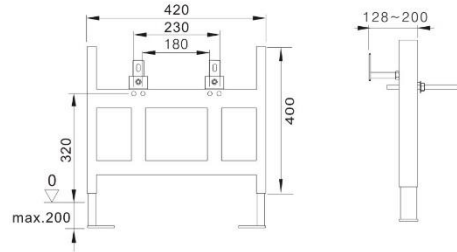


0
 ∇ = finish floor min. = minimum max. = maximum

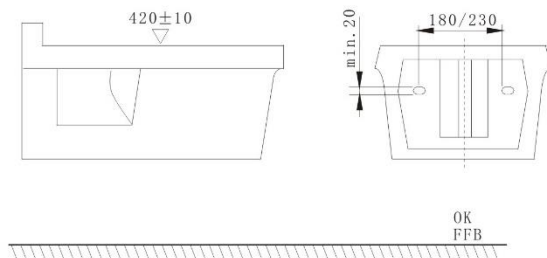
1. Fitting Chart



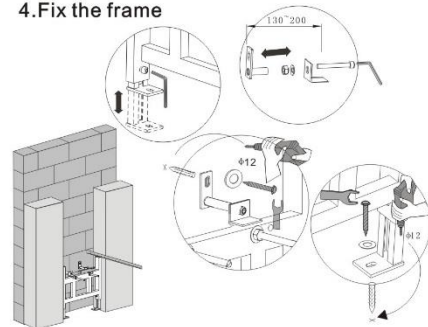
2. Frame size



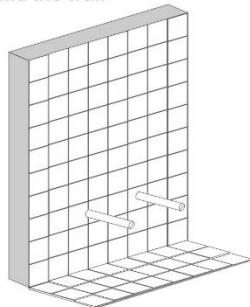
3. Bidet frame technical data



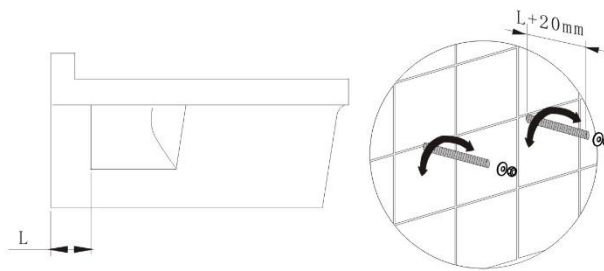
4. Fix the frame



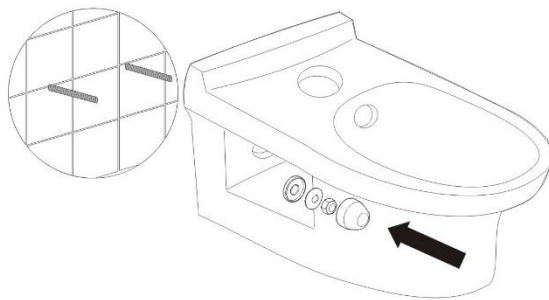
5. Build the wall



6. Adjust the poles length



7. Fix the bidet



8. Install effect

