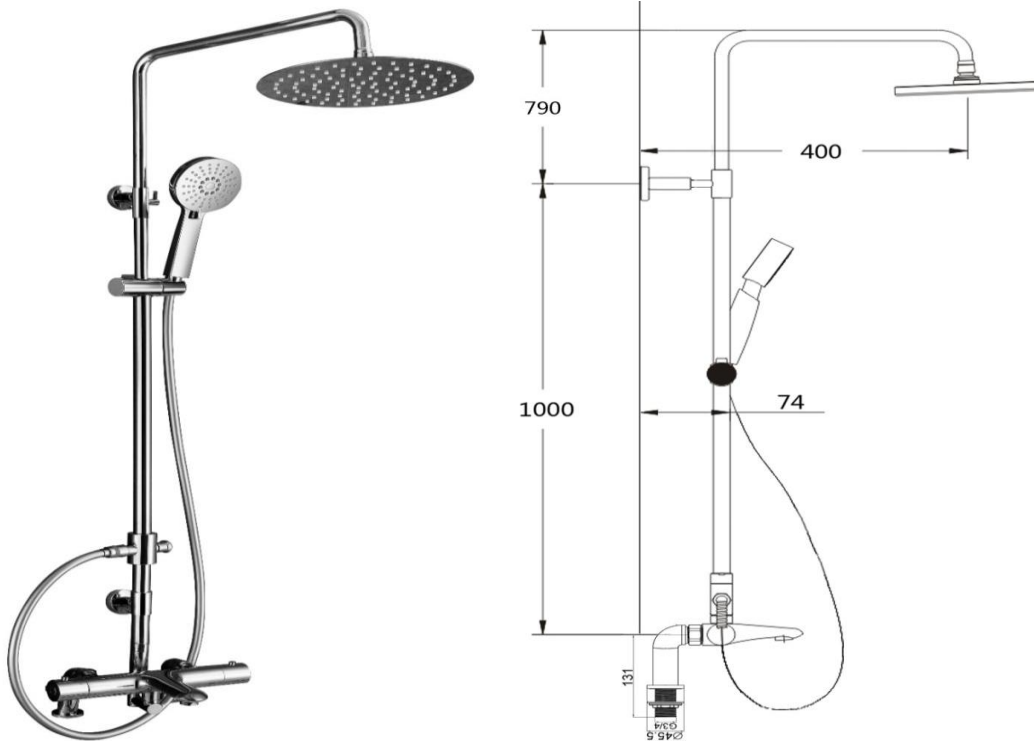


# TECHNICAL DATA SHEET

## LO298C Deck Mounted Exposed Thermostatic Bath Shower Mixer System

<b>Barcode</b>	7081243776993
<b>Product Code</b>	LO298C
<b>Construction</b>	Brass Body
<b>Finishes</b>	Chrome plated to BS EN 248
<b>Product Type</b>	Contemporary
<b>Water Pressure</b>	Min. 0.5 bar, Max. 6.0 bar
<b>Plumbing Systems</b>	Suitable for all plumbing systems, preferably balanced. Min. supply pressure differential requirement is 5:1
<b>Standards</b>	Complies with BS EN 1111
<b>Certification</b>	Manufactured to comply with TMV2
<b>Cartridge</b>	35mm Triduo ceramic disc cartridge
<b>Valve Type</b>	Ceramic Disc Cartridge
<b>Aerator</b>	Laminar
<b>Fitting</b>	Brass 3/4" BSP tails
<b>Packaging</b>	99.5 x 46 x 51cm / carton (4 boxes / carton)
<b>Guarantee</b>	10 years against manufacturing faults (excluding serviceable parts).
<b>Additional Information</b>	<ol style="list-style-type: none"> <li>1. Temperature : Pre-set 38°C, with push button override to 48°C.</li> <li>2. Automatic shut off in the event of hot or cold water supply failure.</li> <li>3. Shower head : Chrome , Ø200mm, SS304 Ultra Thin</li> <li>4. Shower handset : Chrome , 3 mode, ABS</li> <li>5. Shower hose : PVC ,1.5m</li> <li>6. Telescopic adjustable height shower rail</li> </ol>



### Flow Rates (Litres per minute)

System Pressure	0.1 Bar	0.2 Bar	0.3 Bar	0.5 Bar	1.0 Bar	1.5 Bar	2.0 Bar	3.0 Bar	4.0 Bar	5.0 Bar
<b>L23</b>	6.2	7.0	-	9.6	12.6	-	17.4	22.0	-	-

The information contained on this page was correct at date of issue. Fitting dimensions are provided as a guide only. Some variation may occur due to manufacturing tolerances. We pursue a policy of continuing improvement in design and performance of our products and so reserve the right to change specifications without prior notice.