

ILLUMINATED MIRRORS - LED

IMPORTANT ADVICE & SAFETY - please read before installation

Please read these instructions carefully before starting installation and keep in a safe place for future reference.

Check the contents of the pack carefully before installation. Responsibility will not be held for any de-fit / re-fit costs where faulty product has been fitted. If any fault is found with materials or workmanship, it must be reported immediately to the manufacturer. Remedial action will be taken, based on information received, on condition that: 1. Full details are supplied to the manufacturer; 2. The product has not been modified or tampered with; 3. The manufacturer is informed of any damage/shortages prior to installation. 4. The product has not been installed, or attempts have been made to install. We do not accept responsibility for any problems that may occur through incorrect installation. ENSURE the room is well heated and ventilated.

Before drilling ensure there are no hidden cables or pipes(water, gas or electrical) behind hanging points. Always wear suitable eye protection when drilling. Ensure the wall surface is able to take the weight of the complete product.

It is important to install light fittings in the correct bathroom zone i.e. the zone referred to in the IP rating of the element. This is not an installation guide and reference should be made to the latest edition of the IET Wiring Regulations or a qualified electrician member of NICEIC or IET.

ZONE 0 is inside the bath or shower tray itself. Any appliance used in this zone must be rated at least IP67 which is total immersion proof.

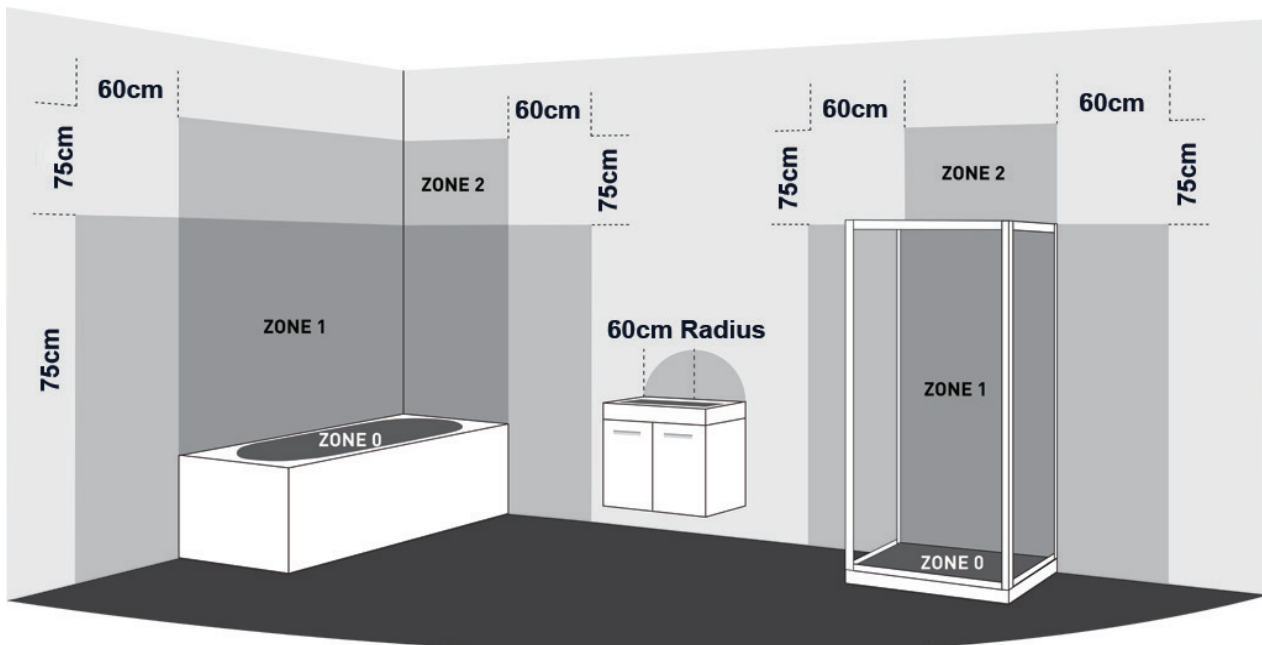
ZONE 1 is the area above the bath or shower tray to a height of 2.25m from the floor. In this zone a minimum rating of IPX4 Splash-proof is required and elements must also be protected by a 30mA residual current device (RCD) to protect the circuit.

The electrical connection to the power supply for these appliances must be in Zones 2/3 of the bathroom in compliance with BS 7671:2008(2011) - IET Wiring Regulations.

ZONE 2 is an area stretching 0.6m outside the perimeter of the bath and to a height of 2.25m from the floor. In this zone an IP rating of at least IP44 is required. In addition it is good practice to consider the area around a washbasin, within a 60cm radius of any tap to be considered as zone 2.

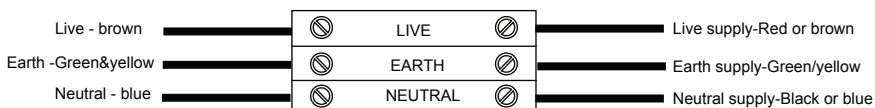
Appliance must also be protected by a 30mA residual current device (RCD) to protect the circuit.

Failure to have electrical products installed and certificated by a qualified electrical engineer will invalidate any product guarantee. For full details reference should be made to the latest copy of the IET wiring regulations and all applicable British Standard and European norm specifications.



This product is IP44 rated and is suitable for installation within zone 2 above, and complies with the following safety standards: BS EN 60598-1: 2008+A11: 2009, EN60598-2-1: 1989

WIRING DIAGRAM

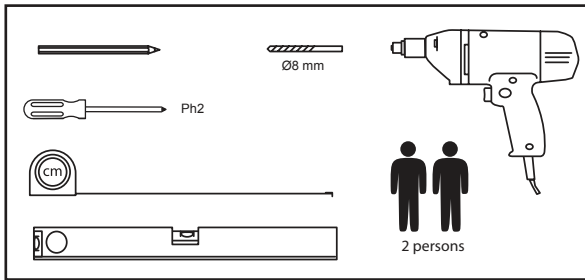
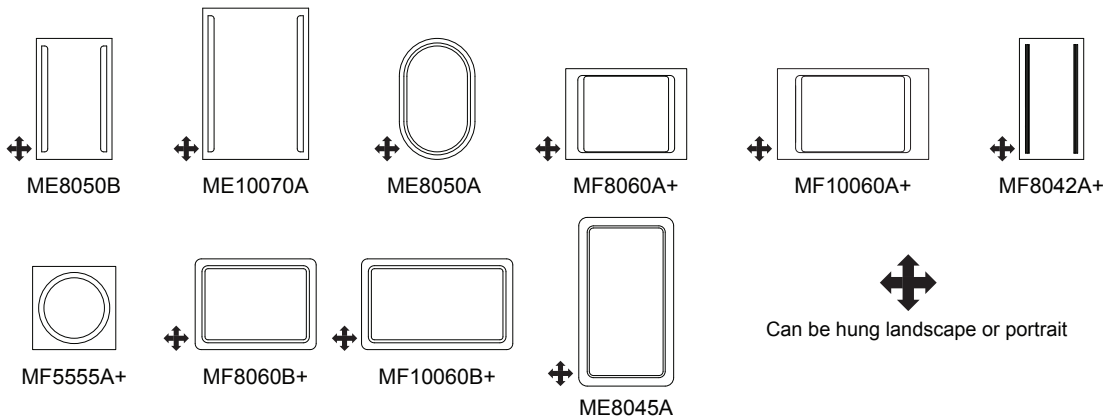


This product is Class I rated and MUST be earthed. Supply 240v/50hZ maximum



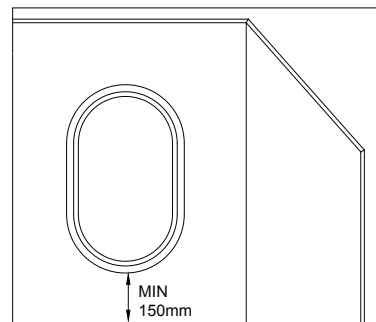
INSTALLATION INSTRUCTIONS

It is recommended that walls are fully tiled/finished before installation. This ensures that the product is installed flat to the wall face and allows product to be easily removed if required in the future.

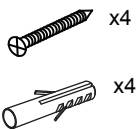


IMPORTANT

The product must be installed with a minimum distance of 150mm between the infrared sensor and an adjacent wall surface, countertop or other object to ensure correct function of the sensor.

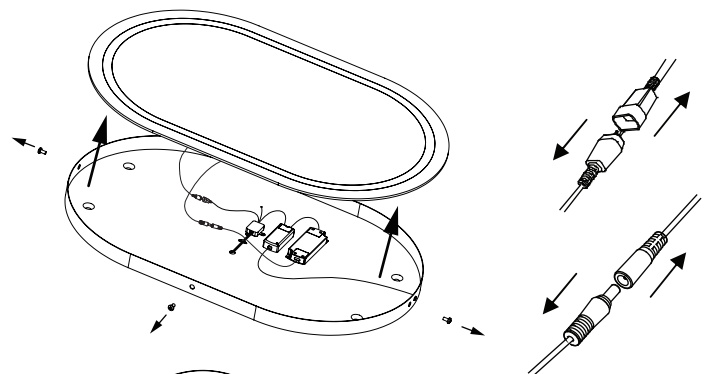


Remove all outer packing and carefully check the product is in perfect condition. The mirror is supplied with a protective film DO NOT remove this until installation is complete.



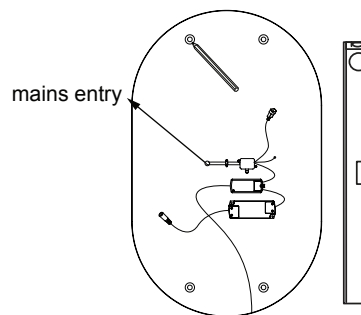
STEP 1

Lay the mirror down flat on a non-abrasive secure surface. Carefully remove the mirror from the hanging frame by removing the retaining screws see right. Be careful not to disturb the water-proof gasket. Keep the mirrors screws and washers in a safe place for later. The heated mirror pad should be disconnected by separating the plug in connector.



STEP 2

Some mirrors can be installed landscape or portrait. Offer the mirror frame up to the desired wall location considering the safety zone requirements.. Using spirit level ensure the frame is level and upright. Using a soft pencil mark carefully the 4 fixing holes and the electrical supply point. Put the mirror frame safely to one side



Note: some models can be installed landscape and portrait. The sensor switch when installed portrait is located on the underside bottom right of the mirror; when hung landscape the sensor switch is on the left hand side

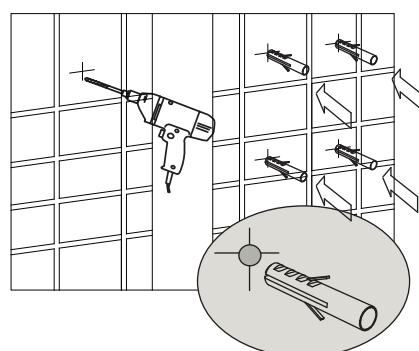
STEP 3

Carefully drill the required holes and insert wall plugs. Prepare the power supply. Note screws and plugs supplied are suitable for solid walls only.



ENSURE THAT THE MAINS VOLTAGE SUPPLY TO WHICH THE MIRROR IS BEING CONNECTED IS ISOLATED

Carefully feed the mains supply cable through the rubber grommet in the mirror frame. Hold the mirror frame in the correct position, insert screws and screw into wall plugs, ensure they are secure and the electrical mains supply cable free from obstruction.



Remove the cover from the electrical connection box. Using a suitable terminal screwdriver make secure connections as follows:

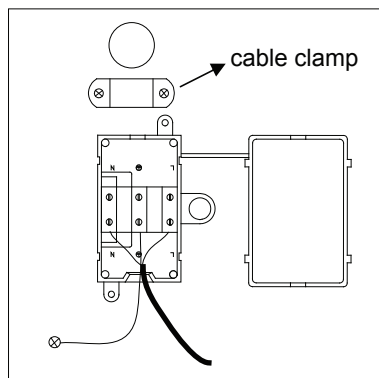
Colour Coding:

L - Live = Brown

N - Neutral = Blue

Earth = Green & Yellow

THIS PRODUCT IS MANUFACTURED TO CLASS I CATEGORY AND MUST HAVE AN EARTH CONNECTION. Ensure the mains cable is correctly secured by the cable clamp. Close the connection box cover



STEP 4

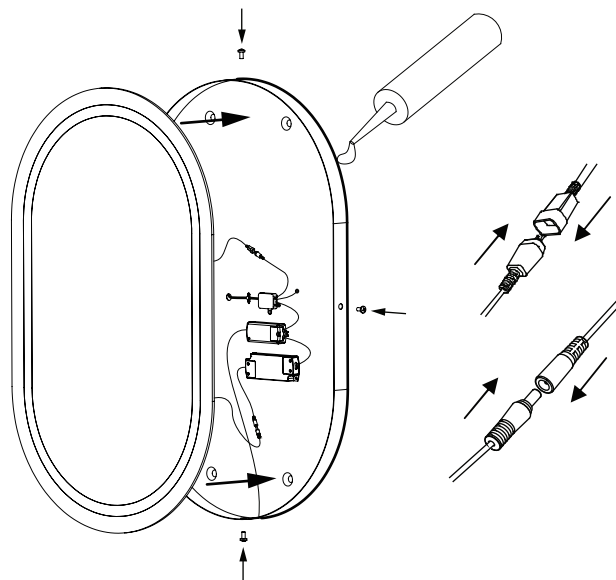
Reconnect the heated mirror pad, as shown

STEP 5

Carefully reposition the mirror inside the the mirror frame, accurately line up the screw holes and reattach using the 4 screws, washers and cover caps removed at stage 1.

Apply a bead of clear silicone sealant on all 4 sides between the mirror frame and wall surface. Allow to dry for 24 hours.

Reconnect the electrical power supply.



Remove protective film from the mirror face, and clean as directed below.


OPERATION INSTRUCTIONS

To turn the mirror lights on or off, activate the switch by passing your hand over the sensor. The heated pad will operate when the light is illuminated; the heat pad will work if the mirror lamp(s) expire. Once turned on the heating pad will warm the mirror and clear the surface of condensation.

LED Details

Model	Led Parameter	Led Driver	Model	Led Parameter	Led Driver
ME8050B	42x2 Leds / 0.06W / 6400K	6W	MF5555A+	69 Leds / 0.06W / 6400K	6W
ME10070A	54x2 Leds / 0.06W / 6400K	15W	MF8060B+	129 Leds / 0.06W / 6400K	15W
ME8050A	105 Leds / 0.06W / 6400K	15W	MF10060B+	153 Leds / 0.06W / 6400K	15W
MF8060A+	120 Leds / 0.06W / 6400K	15W	ME8045A	114 Leds / 0.06W / 6400K	15W
MF10060A+	135 Leds / 0.06W / 6400K	15W			
MF8042A+	90 Leds / 0.06W / 6400K	6W			



Waste Electrical & Electronic Equipment Regulations (WEEE) requires that any electrical products showing the mark  above must not be disposed of with other household or commercial waste. To prevent possible harm to the environment or human health from uncontrolled waste disposal, please separate any such product from other waste types and recycle it responsibly at your local facilities. Check with your Local Authority, Recycling Center or retailer for recycling advice.

CARE & MAINTENANCE

Add sentence:

LED light strips last for thousands of hours under normal domestic use, in the unlikely event that the LED light strip should fail please contact customer services for a replacement part.- write this in bold type face.

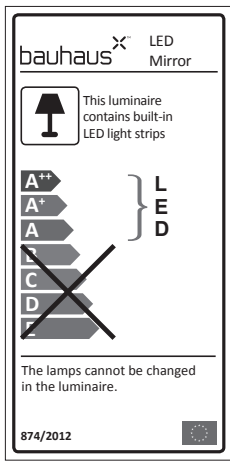
Do not strike/hit glass components with hard or pointed items. Do not place very hot or very cold items against or in close proximity to glass surfaces unless a suitably thick insulation material is used.

The nominal thickness of the mirror glass used in this product is 5mm and is safety film backed in accordance to BS:EN6206 for your safety. If the mirror glass becomes chipped or broken, replace immediately. For details on replacement mirror glass and other components contact customer services.

Cleaning:

The mirror edges are treated with a specially formulated sealant designed to protect the mirror edges from contaminants and discolouring. Failure to follow cleaning guide-lines can/will remove the benefits of the sealant.

NEVER use products containing bleach, cleaners of a gritty or abrasive nature or so called "glass and mirror" cleaning products, that can be detrimental to the long lasting finish of the mirror. ONLY use a clean micro fibre cloth to clean the mirror and mirror frame.



Energy label

© Crosswater Copyright:

No part of this document may be reprinted or duplicated without Crosswater Holding's consent. In the interests of continued product development Crosswater Holdings reserves the right to alter specification without prior notification. E & OE.

bauhaus✕

For any further information please contact call us on:
0345 873 8840

Or visit our web-site at:
www.bauhaus-bathrooms.co.uk