

PRODUCT CODE: STANDARD SEAT **S600PAK/S600SEAT-CH**
COMPAKW0/COMURSTWO
 COMPATIBLE WITH: SOFT CLOSE **SCHKITS6**

Assembly Instructions

Series 600 & Compact Toilet Seat

Soft Close

Tools required




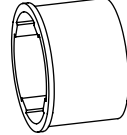
1. Crosshead screw driver (not supplied).



2. Allen key (supplied).



Fittings Supplied

Ref.	Description	Illustration	Qty
A	Soft Close barrels (Assembled)		2
B	Pan & seat fitting covers		2
C	Pan to seat fixings (Assembled)		2
D	Plastic bushes (Assembled)		2

Before you start

- Check the pack to make sure you have all of the parts listed above.
- When you are ready to start, make sure that you have the right tools to hand, plenty of space and a clean, dry area for assembly.
- **Please note:** although these instructions are comprehensive, it is always recommended that a technically competent installer should undertake installation.

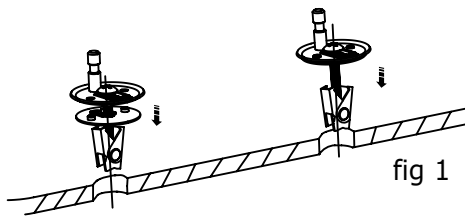
Note for the installer

Protect toilet seat whilst fitting and do not place tools on seat during installation.
 Lids are for sanitary and cosmetic purposes only. They are not designed to be sat on.

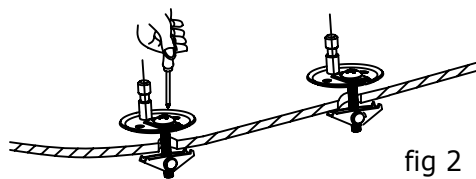
Care & Use

- The seat cover should be cleaned with warm soapy water, rinsed in clean water and dried.
- Do not use aggressive or abrasive cleaners as this may scratch the surface of the seat. Never use bleach, concentrated cleaners or acids on the hinges and seat, as this will cause discolouring and pitting.

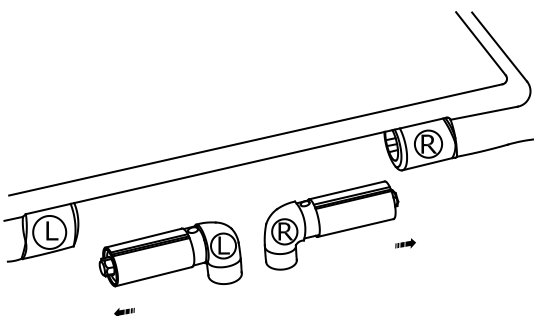
Installation



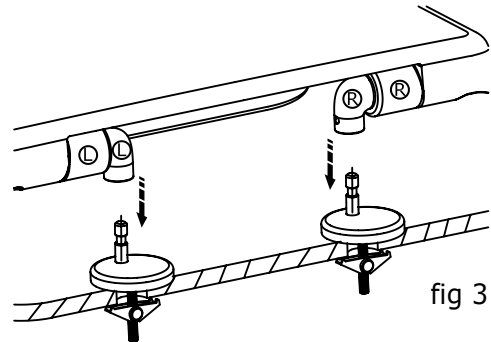
1. Insert the pan seat fixings into the pan seat fixing holes as per figure-1 by clenching the butterfly clips (C) together and pushing into pan seat fixing holes. The butterfly clips will open upon the other side of the pan.



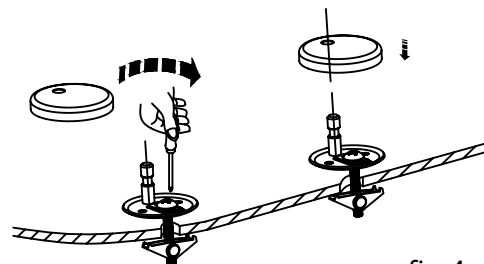
2. Using a crosshead screwdriver tighten the pan seat fixings. Make sure there is still slight movement in the pan seat fixing for final alignment as per figure-2.



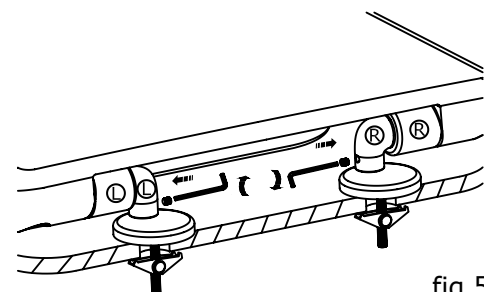
3. Insert the soft close barrel into the housing hole on each side of left and right.
NOTE: left for left and right for right. Pay attention to the grooves in the bush and on the soft close barrel should match.



4. Slot soft close barrels on to location pins on pan seat fixings. Align seat and lid to the pan, and ensure that when seat and lid are open they lean back against the cistern and stay open. Carefully remove the toilet seat assembly.



5. Using a crosshead screwdriver completely tighten the pan seat fixings taking care not to move their position. Fit the pan and seat fitting covers (B).



6. Place seat and lid back on to the location pins on the pan fixings and then use hex key provided to tighten grub screws found on the soft close barrels as per figure-5.