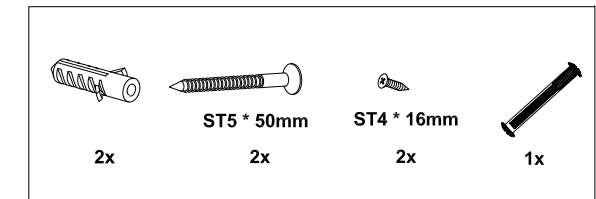


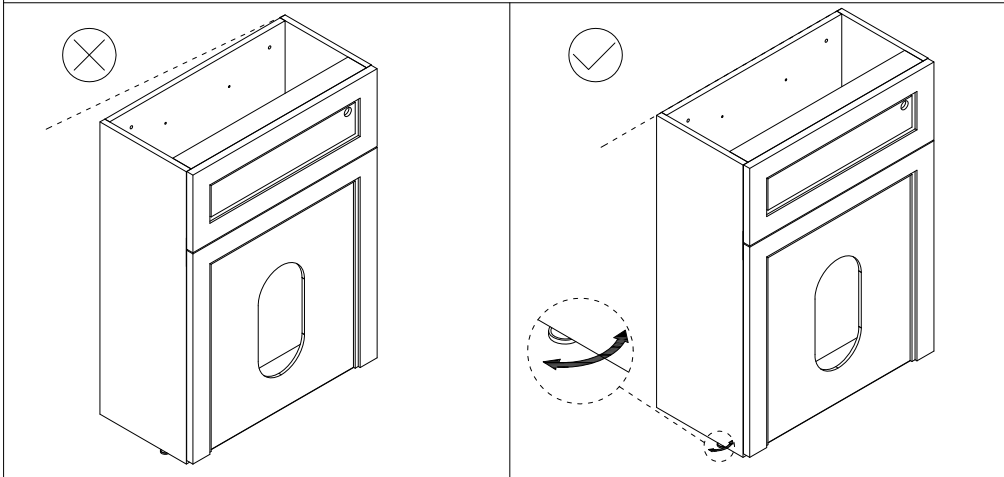
**IMPORTANT:** This unit must be securely fixed to a wall. Ensure that the top is horizontal before marking the wall for fixing. The wall fixings supplied may not be suitable for your installation. You may need to source alternatives depending on the material and strength of the wall you are fixing to.

**Care and Maintenance:** This is a wood product, and has a water resistant finish. It should not be left wet, and the quality of the finish is best maintained if it is wiped with a dry cloth after use. It should only be cleaned using a soft damp cloth followed by a dry cloth. Do not use bleach or any abrasive cleaner. **To service the cistern tank, please take off the front panel first.**

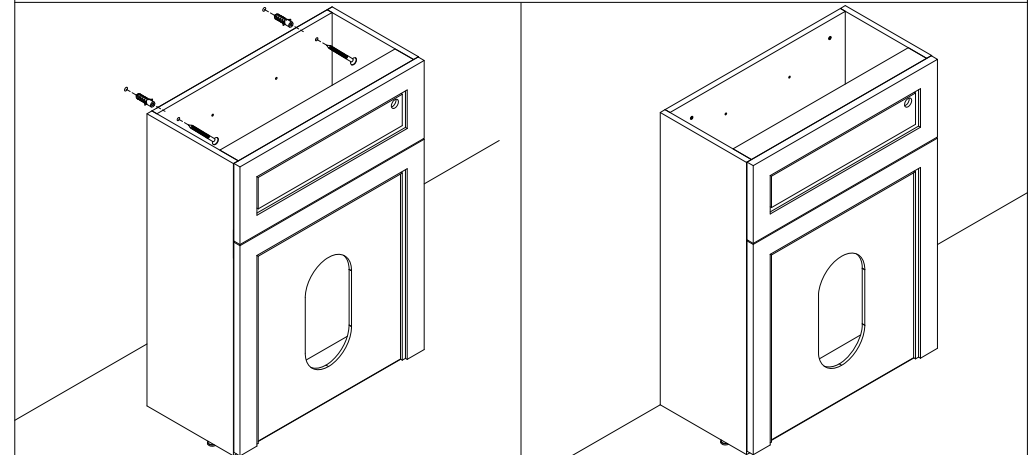
**Parts Supplied:**



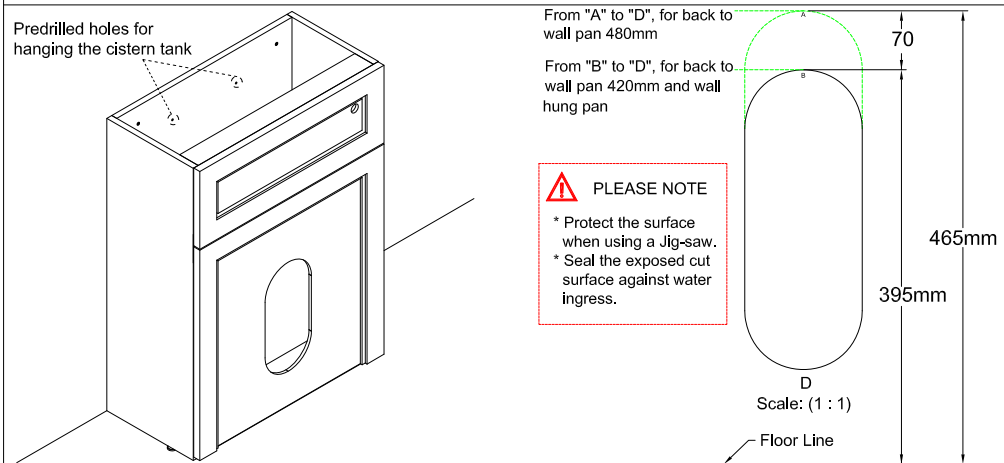
- Place the WC unit in final position, and check for level. If not, please adjust the 2 feet at the bottom of the WC unit.



- Fit the WC unit onto the wall.  
Note: If you would like to install wall hung pan, please set wall hung frame properly before you fix the WC unit to the wall. Regarding the installation of wall hung frame, please refer to the instruction of the frame.



- Hang the cistern tank onto the back board. For the detailed cistern tank installation, please refer to the instruction of the cistern tank.
- The cutout on the WC unit is for 420 pan. If a 480 pan used, then follow the diagram on the right to enlarge the cutout.



- Fit the pan onto the WC unit.

