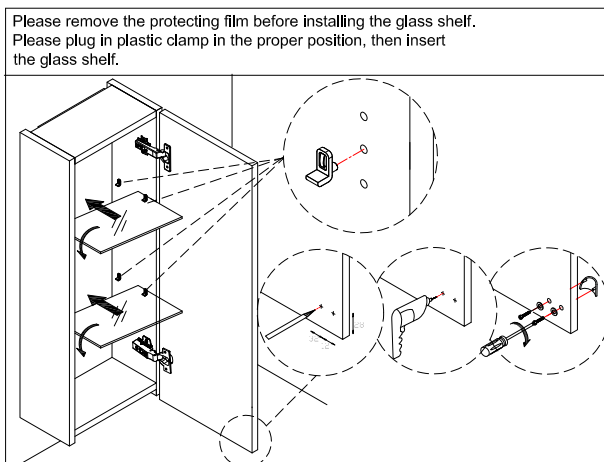
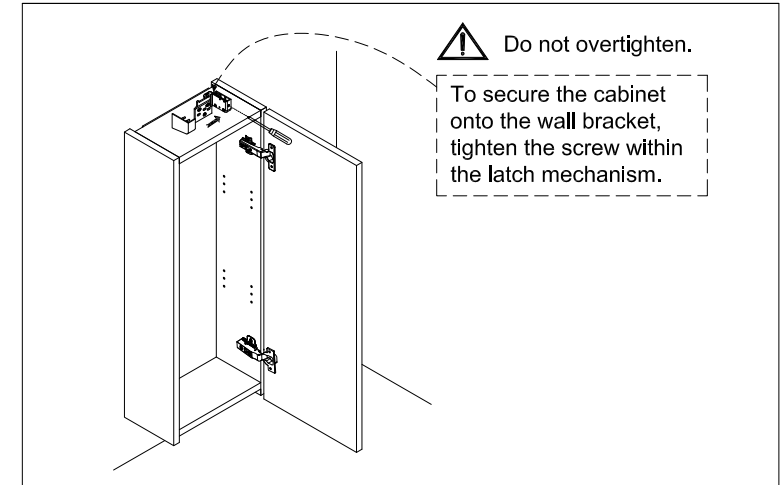
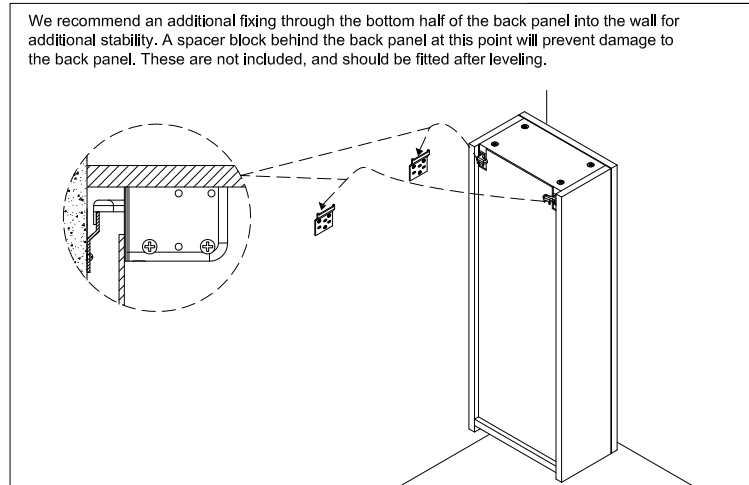
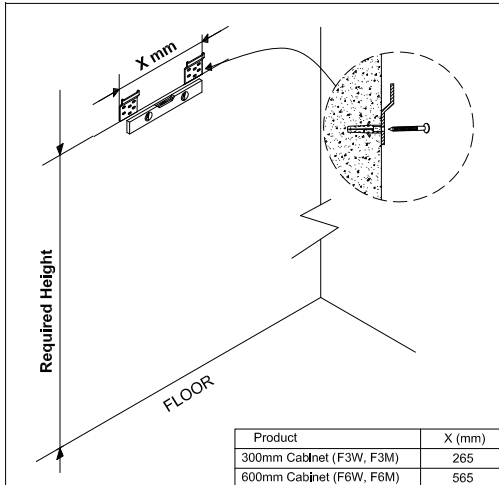


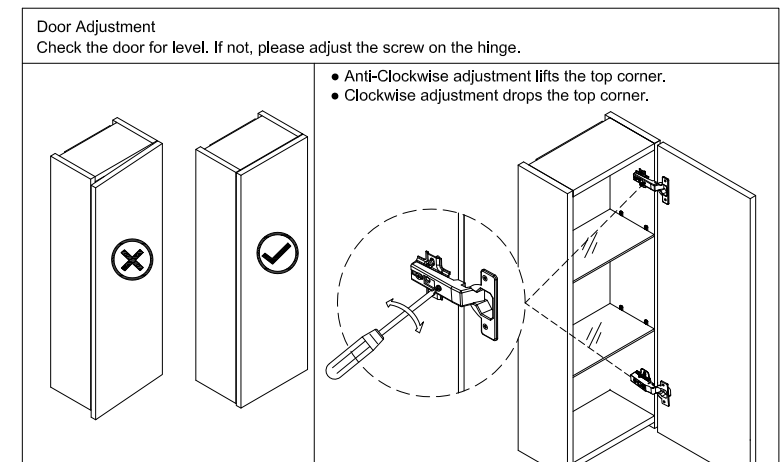
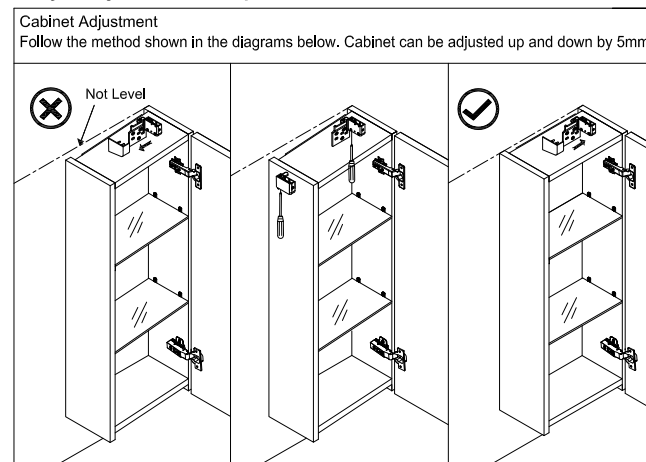
IMPORTANT: This unit must be securely fixed to a wall. Ensure that the top is horizontal before marking the wall for fixing. The wall fixings supplied may not be suitable for your installation. You may need to source alternatives depending on the material and strength of the wall you are fixing to. Buffers are supplied to stop the crash of the doors and drawers. These can be fitted if necessary. The handle installation holes are not pre-drilled on single door unit. Please refer to the template supplied with single door unit to drill the handle installation holes.

Parts Supplied:

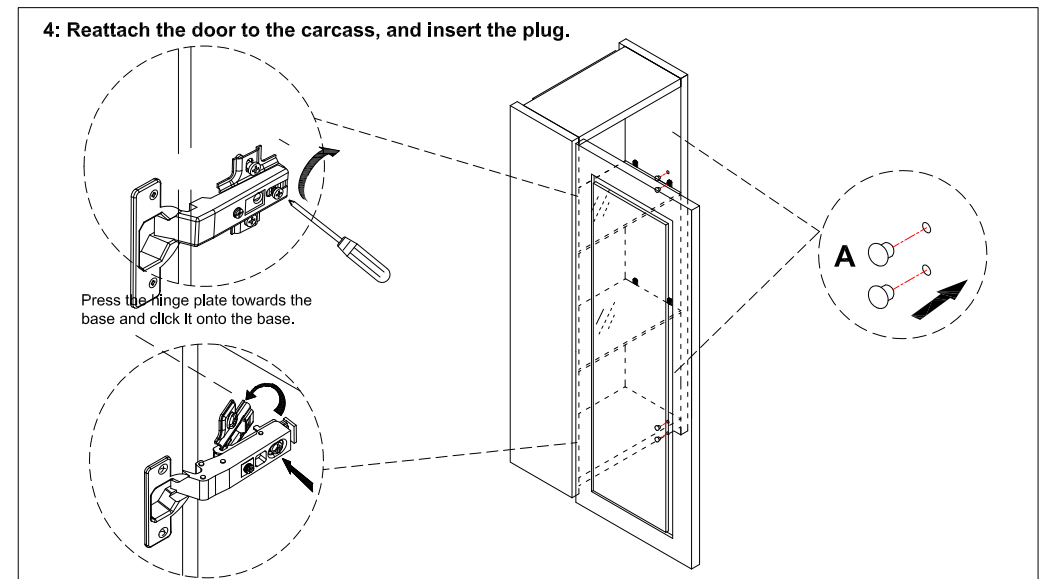
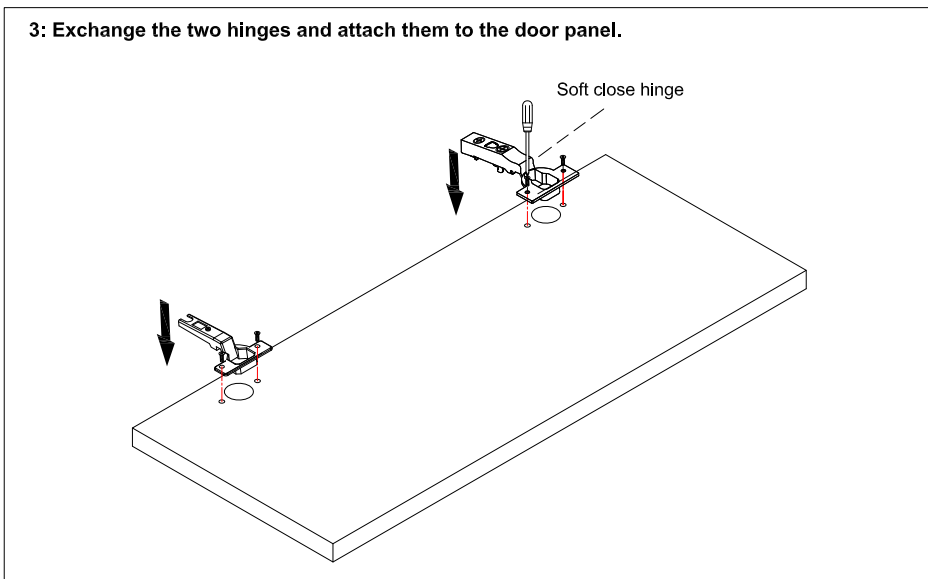
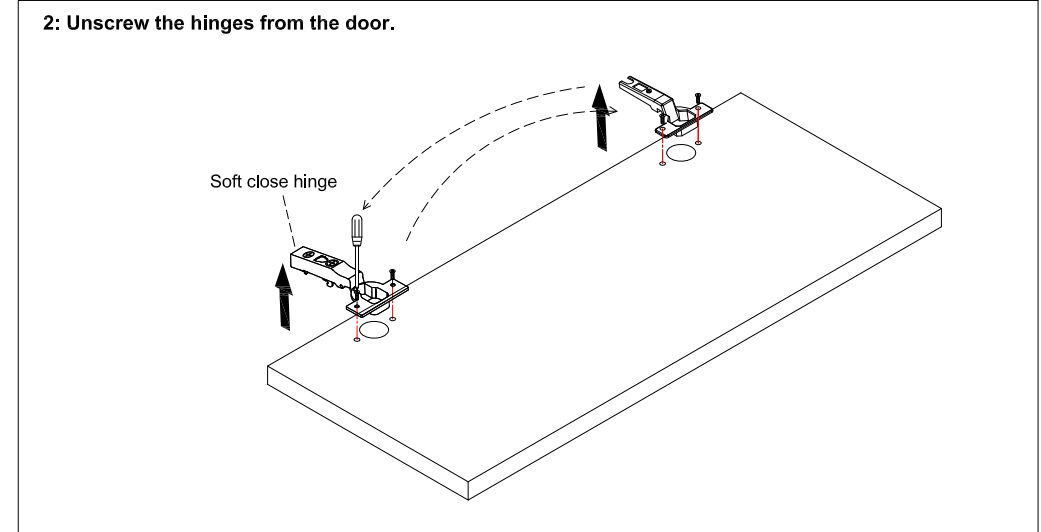
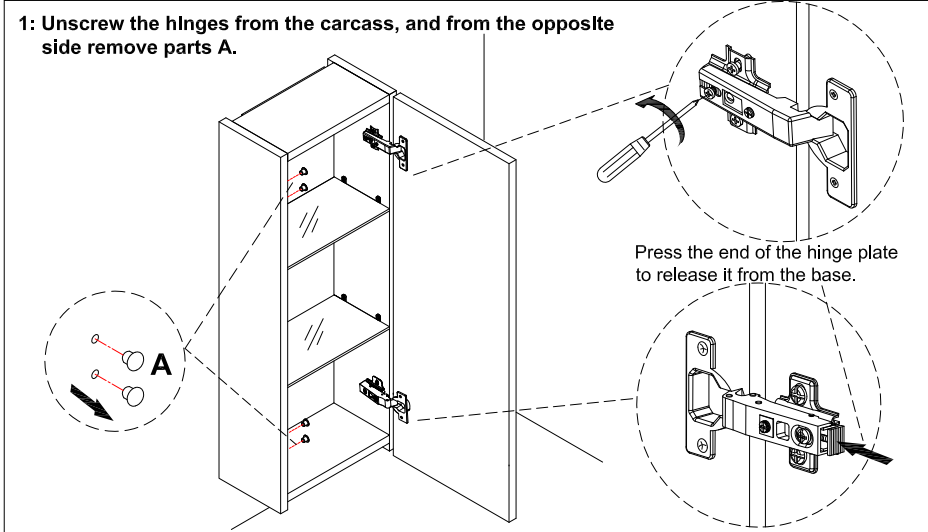
F3W/F3M	6	6	2	1	8	2	1	2
F6W/F6M	6	6	2	2	8	4	1	2



Only if adjustment is required !



Instructions for door reversal (for 300 Single Door Wall Unit - F3W & 300 Single Door Mirror Wall Unit - F3M)



Care and Maintenance: This is a wood product, and has a water resistant finish. It should not be left wet, and the quality of the finish is best maintained if it is wiped with a dry cloth after use. It should only be cleaned using a soft damp cloth followed by a dry cloth. Do not use bleach or any abrasive cleaner.

Please decide to handles (left hand or right hand) of the installation first.
Then use the template supplied to drill the handle holes by $\varnothing 6$ drill bit.

