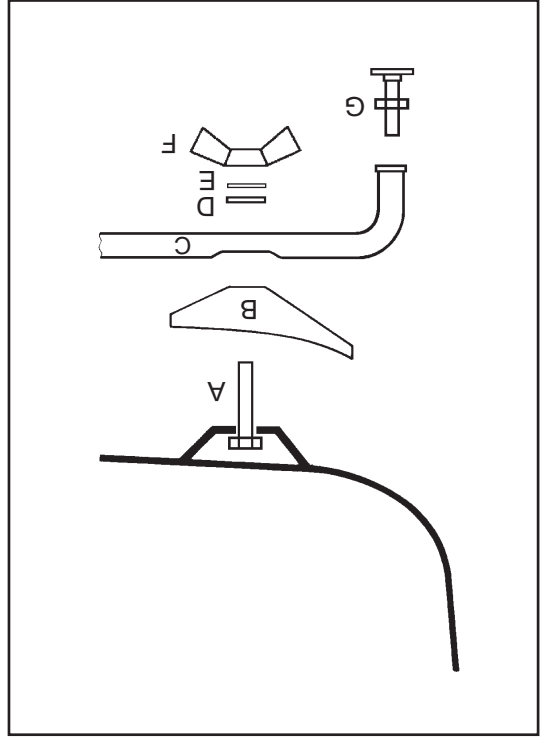
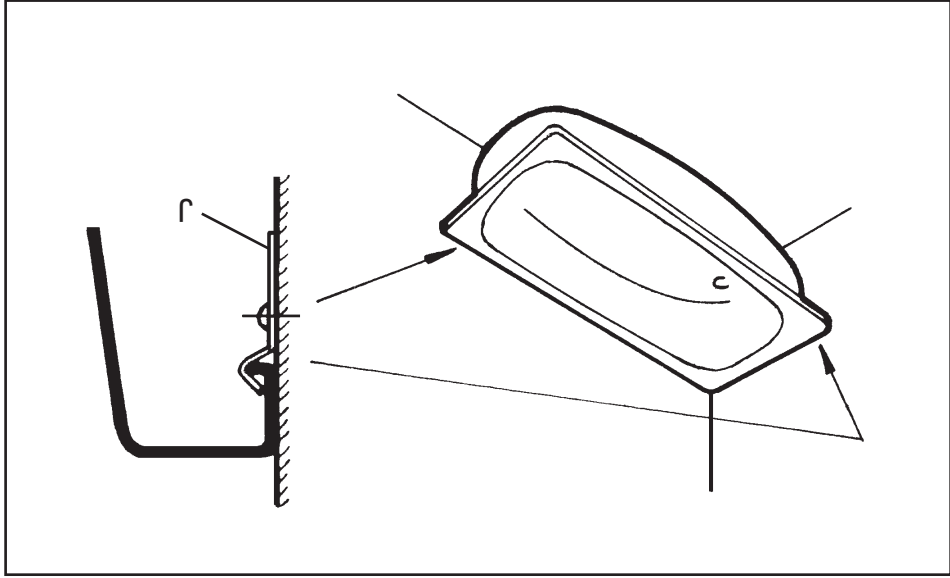


3. Screw nuts (G) onto the adjustable feet. Screw the adjustable feet into the pushed ends (H) of the cradles.



**NOTE!**  
Tighten the wing nuts finger tight only. Tighter than that, will cause damage to the bath.

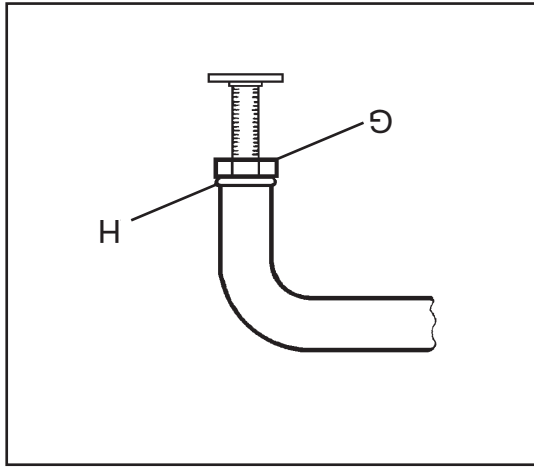
1. With the bath upside down position bolts (A) into slots in bath lugs and place plastic pads (B) over lugs.  
2. Place cradles (C) in position and secure with flat washer (D) and locking washer (E). Please note locking washer to be positioned between the flat washer and the wing nut. Tighten nut (D) to 3.0-3.5Nm.



5. Place bath in situ and screw foot clamps to floor.

6. Secure bath to walls with wall clips (J) in 2 positions, as shown.

**N.B.** It is important that the cradle legs, when finally fixed to the floor are perpendicular to the bottom of the bath.



4. Adjust feet for correct level and height (normally 540mm from floor to top of bath) and lock feet in position by *lightly* tightening hexagon nuts (G) against bushes (H).

**Twyford**  
bathrooms

**FIXING  
INSTRUCTIONS**

## FLAT PACK CRADLE For Porcelain Enamel Baths